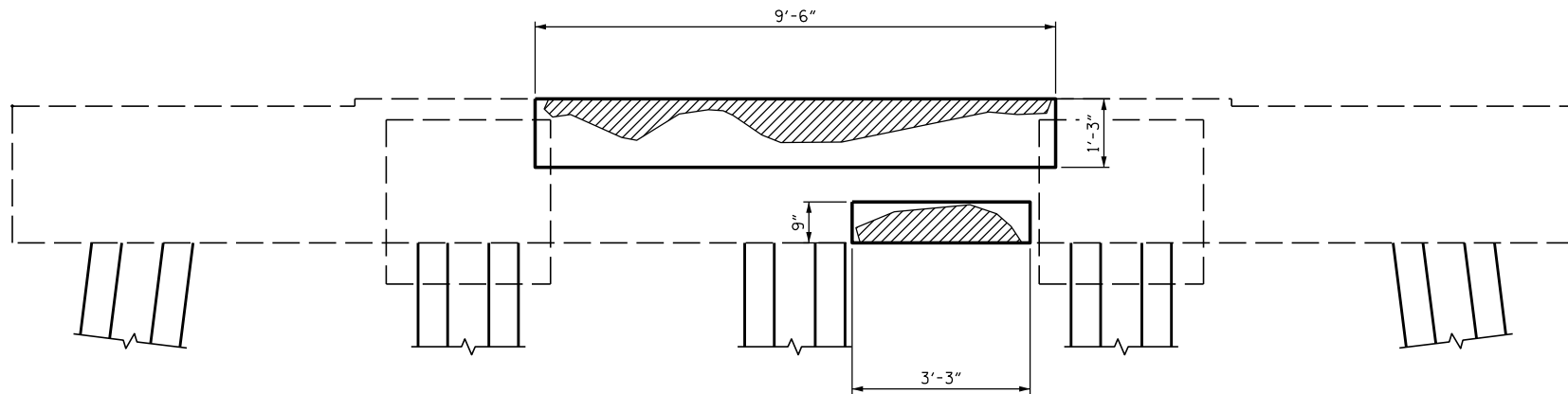
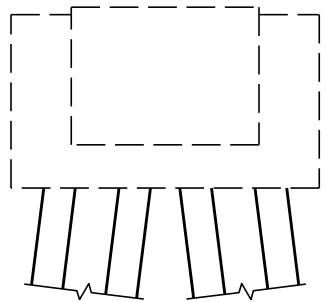


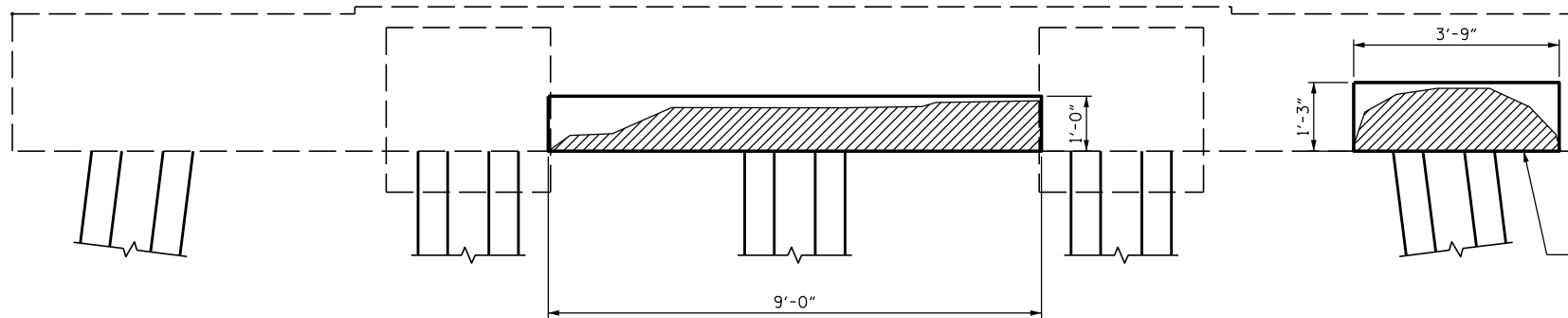
SIDE VIEW
NORTH FACE



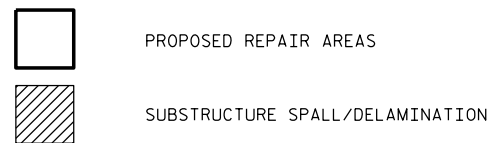
ELEVATION
WEST FACE



SIDE VIEW
SOUTH FACE

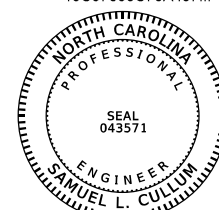


ELEVATION
EAST FACE



PROJECT NO. B-5937
CURRITUCK/DARE COUNTY
 STATION: BRIDGE NO. 16

DocuSigned by:
Samuel Cullum
 19C97095C75A467...



12/13/2016

STATE OF NORTH CAROLINA
 DEPARTMENT OF TRANSPORTATION
 RALEIGH

**SUBSTRUCTURE CONC.
 REPAIR - BENT 152**

DRAWN BY : J. B. HANNA DATE : 07-16
 CHECKED BY : S. L. CULLUM DATE : 07-16
 DESIGN ENGINEER OF RECORD: S. L. CULLUM DATE : 07-16

DOCUMENT NOT CONSIDERED
 FINAL UNLESS ALL
 SIGNATURES COMPLETED

REVISIONS						SHEET NO.
NO.	BY:	DATE:	NO.	BY:	DATE:	TOTAL SHEETS
1			3			S-171
2			4			

*****SYSTEM*****
 *****SDGN*****
 *****USERNAME*****