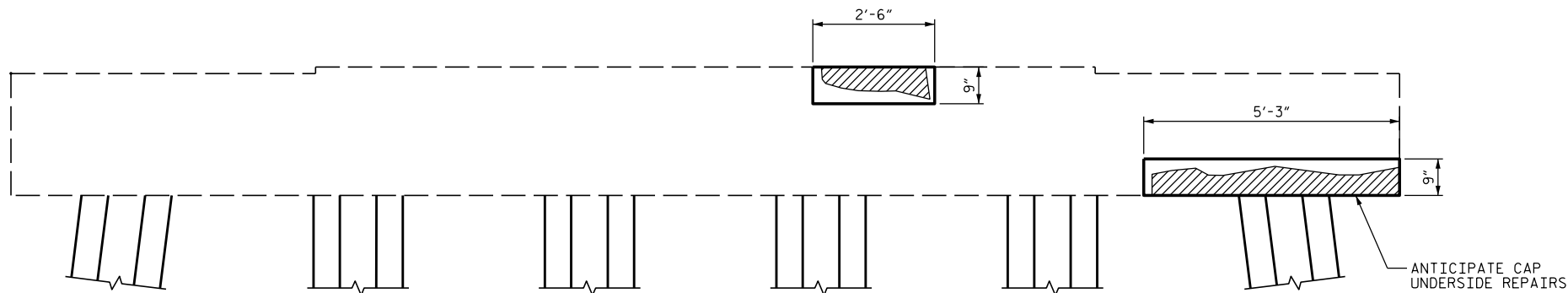
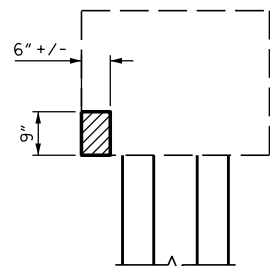


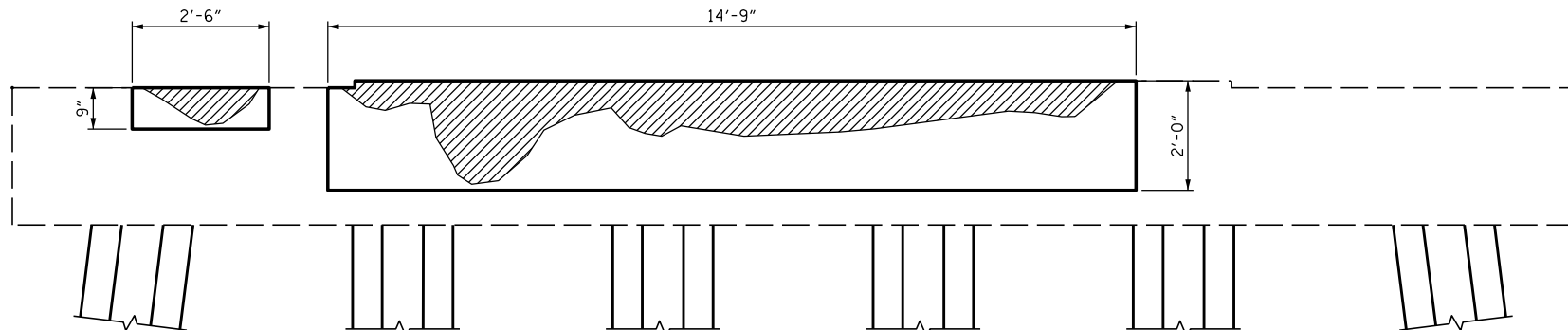
SIDE VIEW  
NORTH FACE



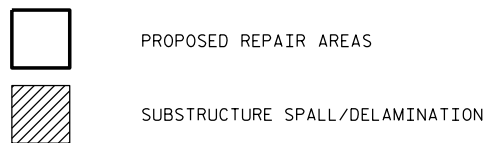
ELEVATION  
WEST FACE



SIDE VIEW  
SOUTH FACE



ELEVATION  
EAST FACE



DocuSigned by:  
*Samuel Cullum*  
19C97095C75A467...  
SEAL  
043571  
ENGINEER  
SAMUEL L. CULLUM  
12/13/2016

PROJECT NO. B-5937  
CURRITUCK/DARE COUNTY  
STATION: BRIDGE NO. 16

STATE OF NORTH CAROLINA  
DEPARTMENT OF TRANSPORTATION  
RALEIGH  
SUBSTRUCTURE CONC.  
REPAIR - BENT 121

DRAWN BY : J. B. HANNA DATE : 07-16  
CHECKED BY : S. L. CULLUM DATE : 07-16  
DESIGN ENGINEER OF RECORD: S. L. CULLUM DATE : 07-16

DOCUMENT NOT CONSIDERED  
FINAL UNLESS ALL  
SIGNATURES COMPLETED

| REVISIONS |     |       |     |     |       | SHEET NO.    |
|-----------|-----|-------|-----|-----|-------|--------------|
| NO.       | BY: | DATE: | NO. | BY: | DATE: | TOTAL SHEETS |
| 1         |     |       | 3   |     |       | S-140        |
| 2         |     |       | 4   |     |       |              |