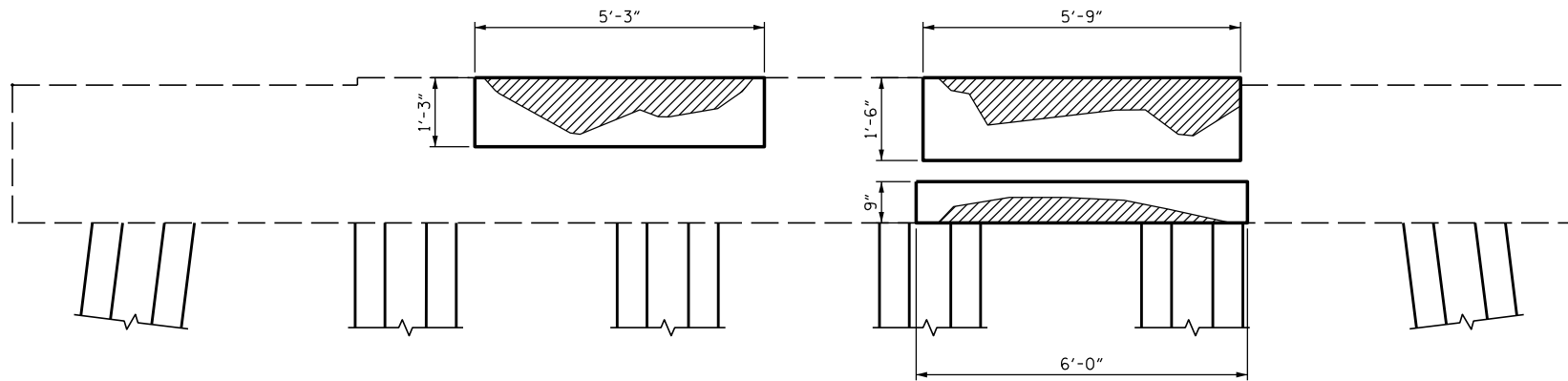
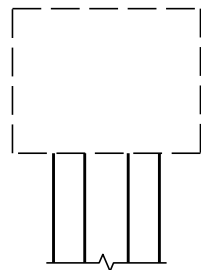


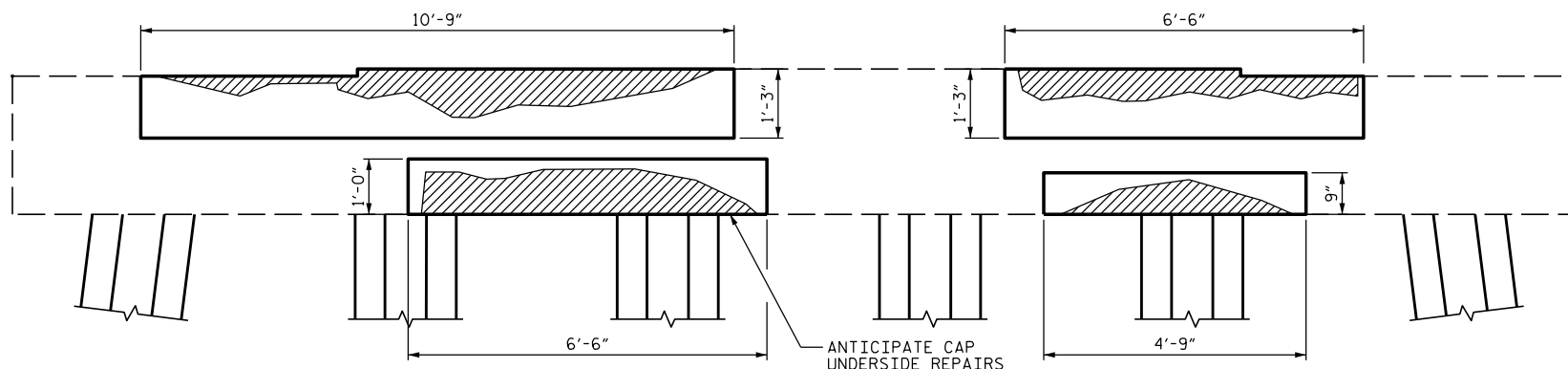
SIDE VIEW  
NORTH FACE



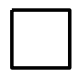
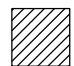
ELEVATION  
WEST FACE




SIDE VIEW  
SOUTH FACE



ELEVATION  
EAST FACE

-  PROPOSED REPAIR AREAS
-  SUBSTRUCTURE SPALL/DELAMINATION

DocuSigned by:  
*Samuel Cullum*  
19C97095C75A467...  
  
12/13/2016

PROJECT NO. B-5937  
CURRITUCK/DARE COUNTY  
STATION: BRIDGE NO. 16

STATE OF NORTH CAROLINA DEPARTMENT OF TRANSPORTATION RALEIGH						SHEET NO.
SUBSTRUCTURE CONC. REPAIR - BENT 103						S-122
REVISIONS						TOTAL SHEETS
NO.	BY:	DATE:	NO.	BY:	DATE:	
1			3			3
2			4			4

DRAWN BY : J. B. HANNA DATE : 07-16  
CHECKED BY : S. L. CULLUM DATE : 07-16  
DESIGN ENGINEER OF RECORD: S. L. CULLUM DATE : 07-16

DOCUMENT NOT CONSIDERED  
FINAL UNLESS ALL  
SIGNATURES COMPLETED

\*\*\*\*\*SYSTEM\*\*\*\*\*  
\*\*\*\*\*SDGN\*\*\*\*\*  
\*\*\*\*\*USERNAME\*\*\*\*\*