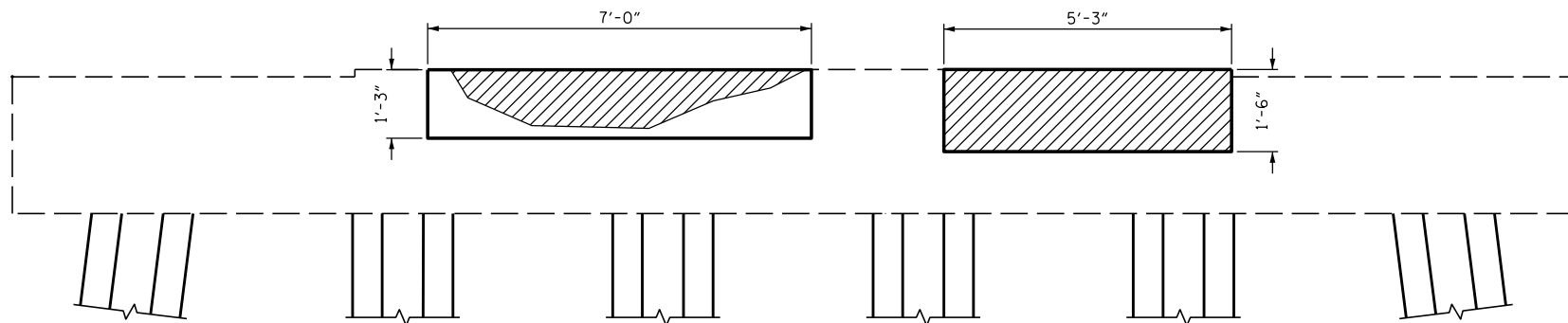
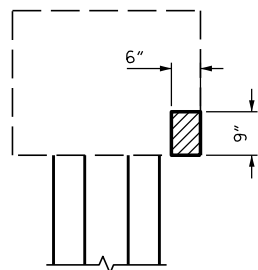


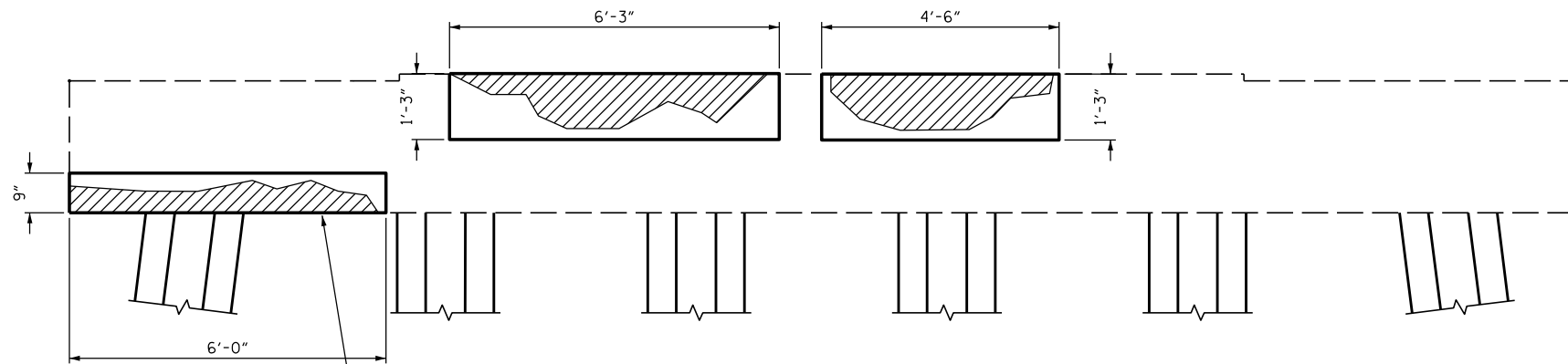
SIDE VIEW
NORTH FACE



ELEVATION
WEST FACE

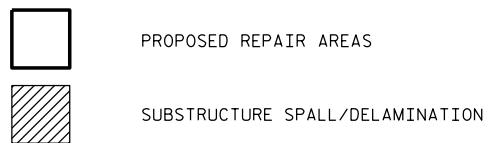


SIDE VIEW
SOUTH FACE



ELEVATION
EAST FACE

ANTICIPATE CAP
UNDERSIDE REPAIRS



DocuSigned by:
Samuel Cullum
19CG036075A487...
NORTH CAROLINA
PROFESSIONAL
ENGINEER
SEAL
043571
SAMUEL L. CULLUM
12/13/2016

PROJECT NO. B-5937
CURRITUCK/DARE COUNTY
STATION: BRIDGE NO. 16

STATE OF NORTH CAROLINA
DEPARTMENT OF TRANSPORTATION
RALEIGH

SUBSTRUCTURE CONC.
REPAIR - BENT 98

DRAWN BY : J. B. HANNA DATE : 07-16
CHECKED BY : S. L. CULLUM DATE : 07-16
DESIGN ENGINEER OF RECORD: S. L. CULLUM DATE : 07-16

DOCUMENT NOT CONSIDERED
FINAL UNLESS ALL
SIGNATURES COMPLETED

| REVISIONS | | | | | | SHEET NO. |
|-----------|-----|-------|-----|-----|-------|--------------|
| NO. | BY: | DATE: | NO. | BY: | DATE: | TOTAL SHEETS |
| 1 | | | 3 | | | S-117 |
| 2 | | | 4 | | | |

*****SYSTEM*****
*****SDGN*****
*****USERNAME*****