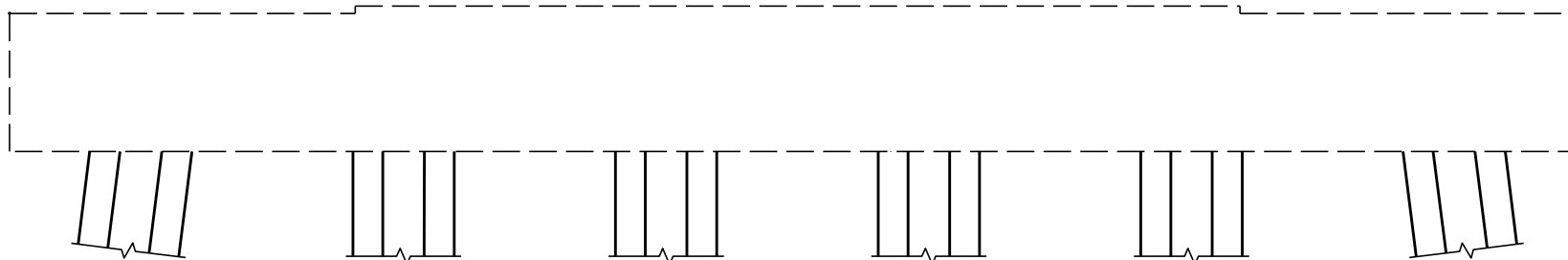


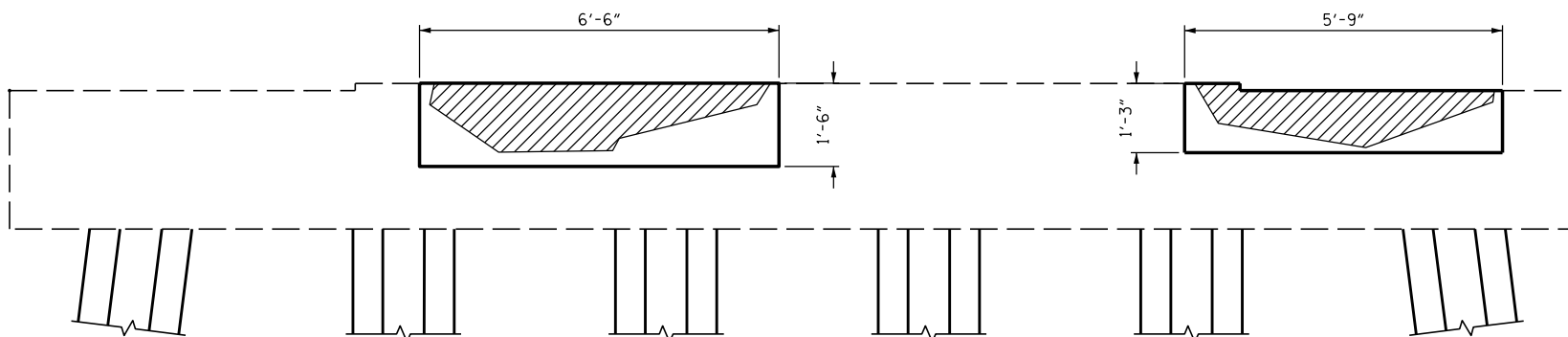
SIDE VIEW  
NORTH FACE



ELEVATION  
WEST FACE



SIDE VIEW  
SOUTH FACE



ELEVATION  
EAST FACE



DocuSigned by:  
*Samuel Cullum*  
19C4036075A487...  
NORTH CAROLINA  
PROFESSIONAL  
ENGINEER  
SEAL  
043571  
SAMUEL L. CULLUM  
12/13/2016

PROJECT NO. B-5937  
CURRITUCK/DARE COUNTY  
STATION: BRIDGE NO. 16

STATE OF NORTH CAROLINA  
DEPARTMENT OF TRANSPORTATION  
RALEIGH  
SUBSTRUCTURE CONC.  
REPAIR - BENT 97

DRAWN BY : J. B. HANNA DATE : 07-16  
CHECKED BY : S. L. CULLUM DATE : 07-16  
DESIGN ENGINEER OF RECORD: S. L. CULLUM DATE : 07-16

DOCUMENT NOT CONSIDERED  
FINAL UNLESS ALL  
SIGNATURES COMPLETED

REVISIONS						SHEET NO.
NO.	BY:	DATE:	NO.	BY:	DATE:	TOTAL SHEETS
1			3			S-116
2			4			