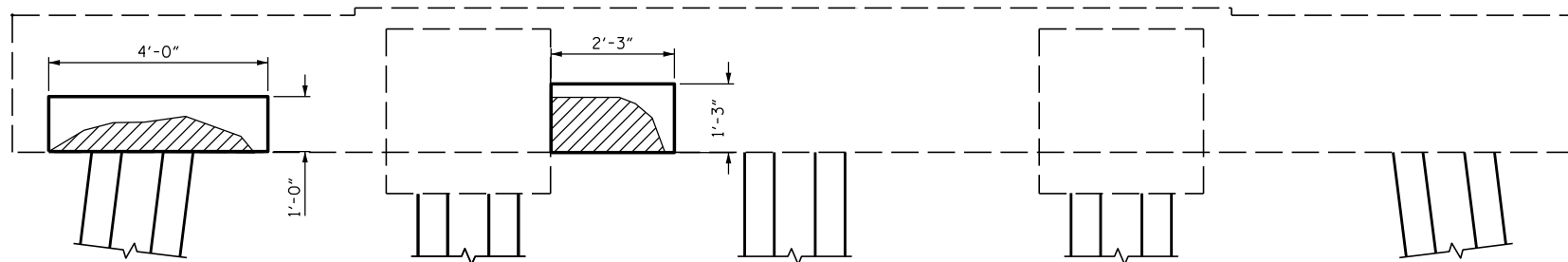
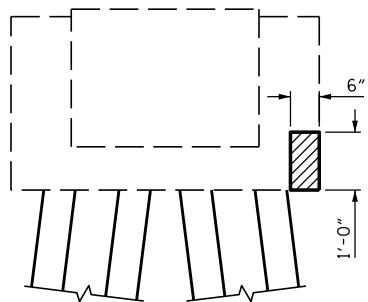


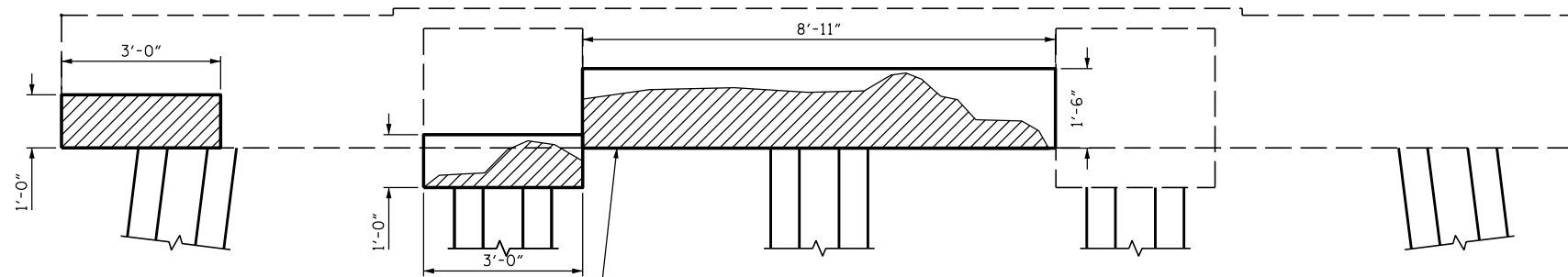
SIDE VIEW
NORTH FACE



ELEVATION
WEST FACE

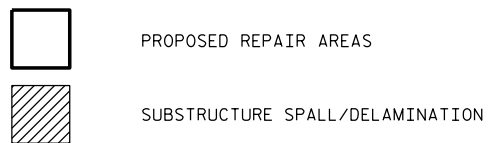


SIDE VIEW
SOUTH FACE



ANTICIPATE CAP
UNDERSIDE REPAIRS

ELEVATION
EAST FACE

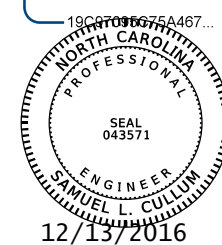


PROPOSED REPAIR AREAS

SUBSTRUCTURE SPALL/DELAMINATION

PROJECT NO. B-5937
 CURRITUCK/DARE COUNTY
 STATION: BRIDGE NO. 16

DocuSigned by:
 Samuel Cullum



STATE OF NORTH CAROLINA
 DEPARTMENT OF TRANSPORTATION
 RALEIGH

SUBSTRUCTURE CONC.
 REPAIR - BENT 80

DRAWN BY : J. B. HANNA DATE : 07-16
 CHECKED BY : S. L. CULLUM DATE : 07-16
 DESIGN ENGINEER OF RECORD: S. L. CULLUM DATE : 07-16

DOCUMENT NOT CONSIDERED
 FINAL UNLESS ALL
 SIGNATURES COMPLETED

REVISIONS						SHEET NO.
NO.	BY:	DATE:	NO.	BY:	DATE:	TOTAL SHEETS
1			3			S-99
2			4			

*****SYSTEM*****
 *****SDGN*****
 *****USERNAME*****