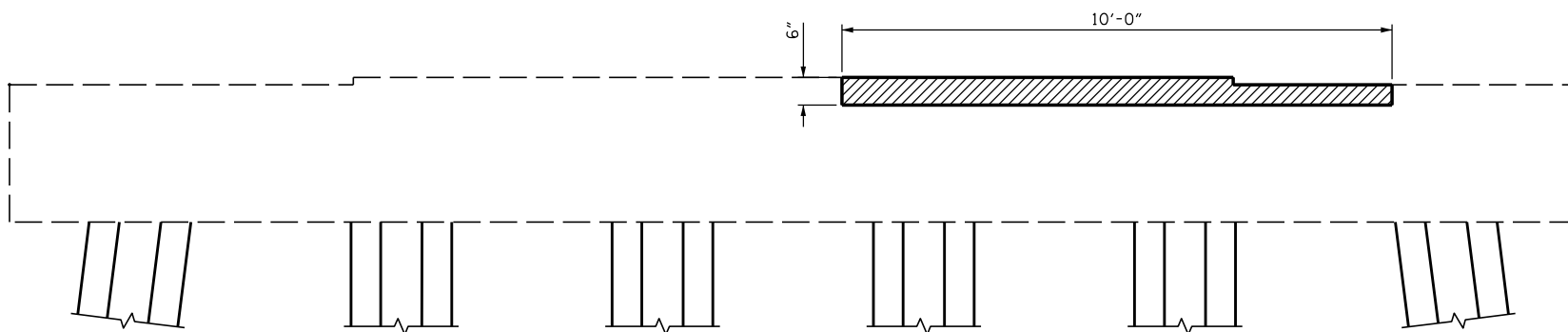
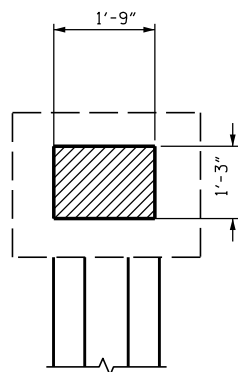




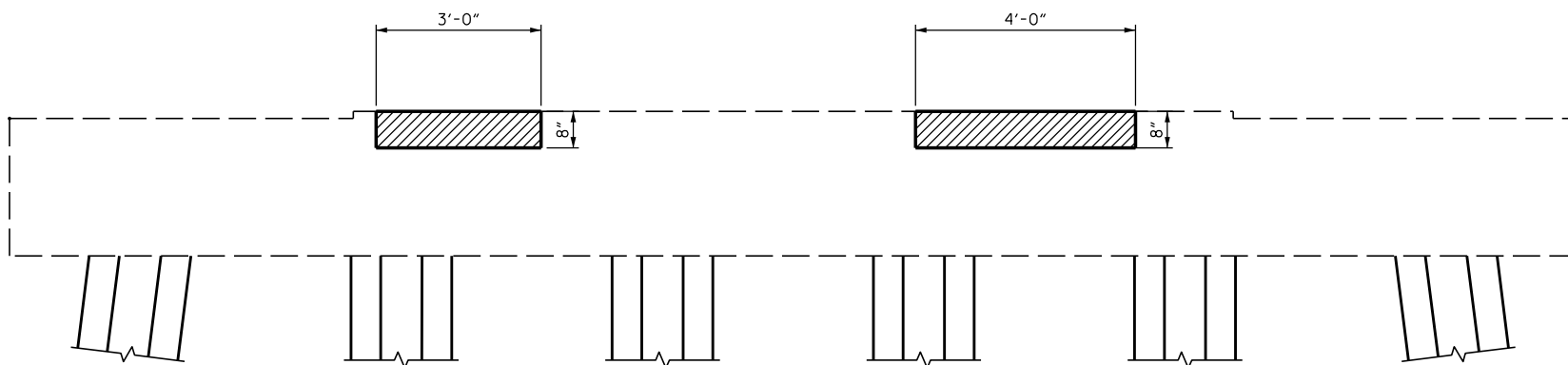
SIDE VIEW
NORTH FACE



ELEVATION
WEST FACE



SIDE VIEW
SOUTH FACE



ELEVATION
EAST FACE



DocuSigned by:
Samuel Cullum
19C68036675A487...
NORTH CAROLINA
PROFESSIONAL
ENGINEER
SEAL
043571
SAMUEL L. CULLUM
12/13/2016

PROJECT NO. B-5937
CURRITUCK/DARE COUNTY
STATION: BRIDGE NO. 16

STATE OF NORTH CAROLINA
DEPARTMENT OF TRANSPORTATION
RALEIGH
SUBSTRUCTURE CONC.
REPAIR - BENT 67

DRAWN BY : T. S. CHILDRESS DATE : 07-16
CHECKED BY : S. L. CULLUM DATE : 07-16
DESIGN ENGINEER OF RECORD: S. L. CULLUM DATE : 07-16

DOCUMENT NOT CONSIDERED
FINAL UNLESS ALL
SIGNATURES COMPLETED

REVISIONS						SHEET NO.
NO.	BY:	DATE:	NO.	BY:	DATE:	TOTAL SHEETS
1			3			S-86
2			4			