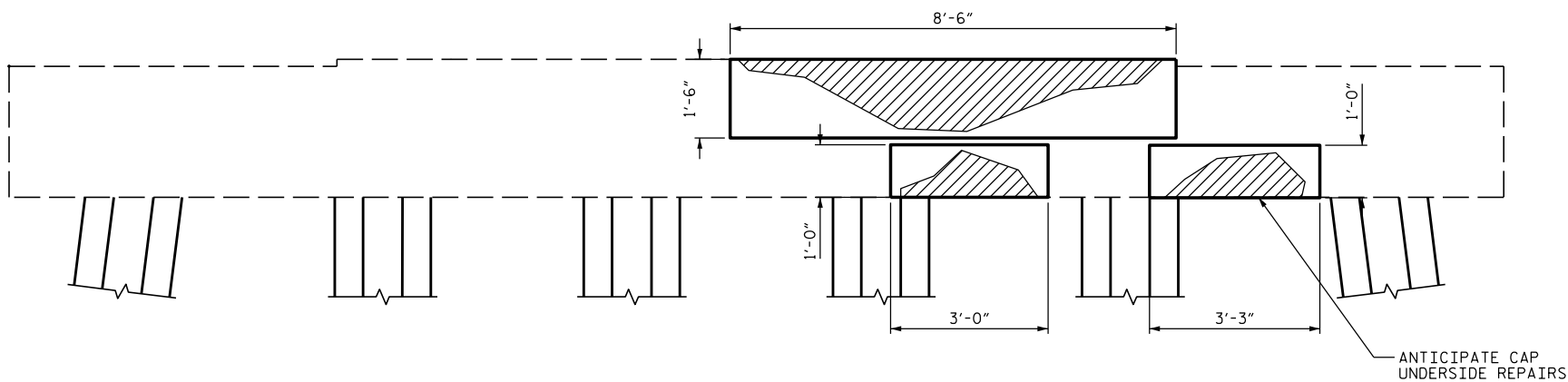


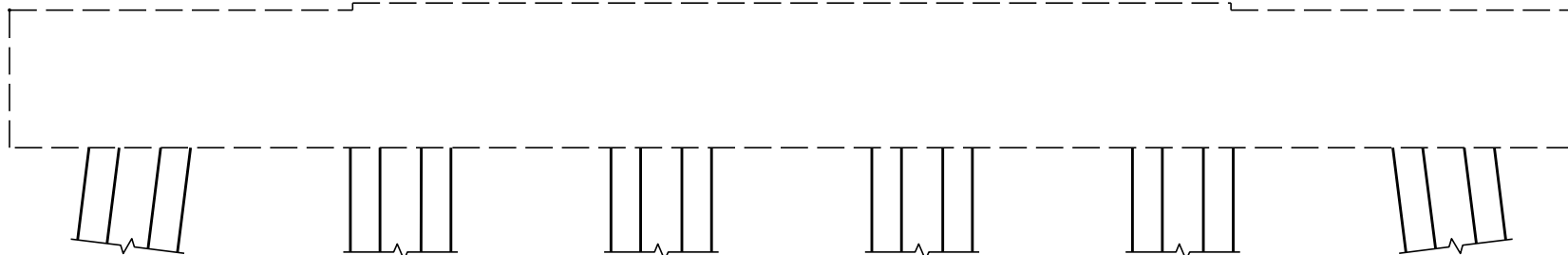
SIDE VIEW  
NORTH FACE



ELEVATION  
WEST FACE



SIDE VIEW  
SOUTH FACE



ELEVATION  
EAST FACE



PROJECT NO. B-5937  
CURRITUCK/DARE COUNTY  
 STATION: BRIDGE NO. 16

DocuSigned by:  
*Samuel Cullum*



12/13/2016

STATE OF NORTH CAROLINA  
 DEPARTMENT OF TRANSPORTATION  
 RALEIGH  
 SUBSTRUCTURE CONC.  
 REPAIR - BENT 15

DRAWN BY : J. H. DUKE DATE : 07-16  
 CHECKED BY : S. L. CULLUM DATE : 07-16  
 DESIGN ENGINEER OF RECORD: S. L. CULLUM DATE : 07-16

DOCUMENT NOT CONSIDERED  
 FINAL UNLESS ALL  
 SIGNATURES COMPLETED

REVISIONS						SHEET NO.
NO.	BY:	DATE:	NO.	BY:	DATE:	TOTAL SHEETS
1			3			S-34
2			4			