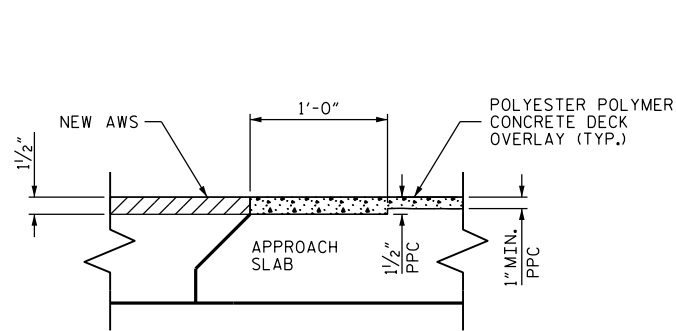
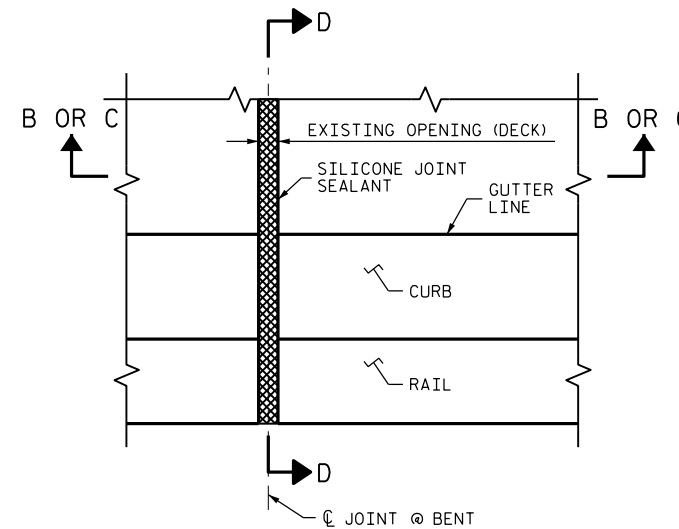


SECTION A-A  
(EXISTING)

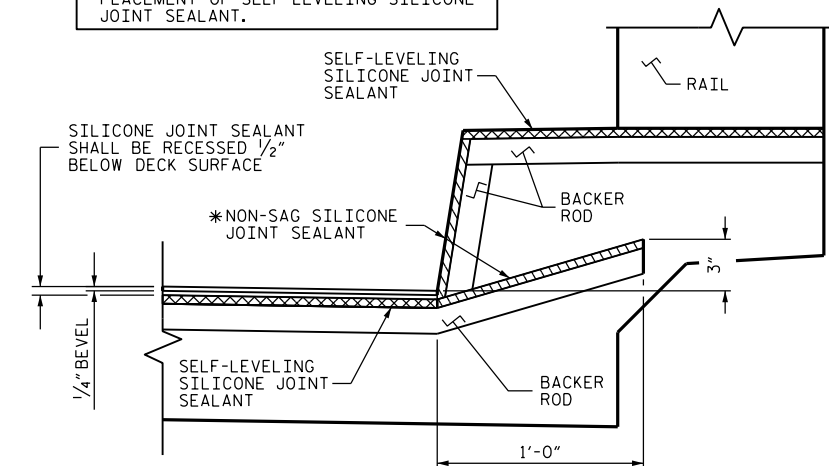


SECTION A-A  
(PROPOSED)

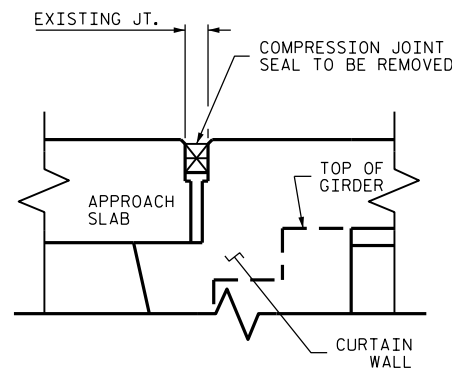


NOTES  
FOR SILICONE JOINT SEALANT, SEE SPECIAL PROVISIONS.  
TOTAL JOINT REPLACEMENT = 36.58 LF PER JOINT

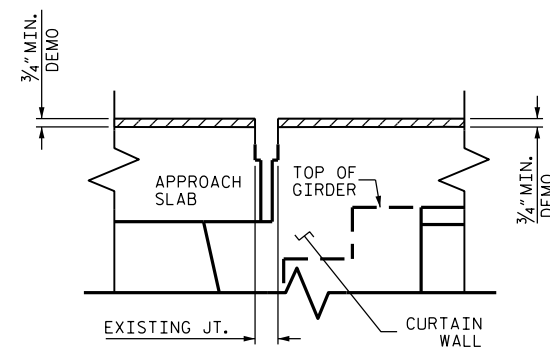
\*NON-SAG SILICONE JOINT SEALANT TO BE PLACED AND ALLOWED TO SET, PRIOR TO PLACEMENT OF SELF-LEVELING SILICONE JOINT SEALANT.



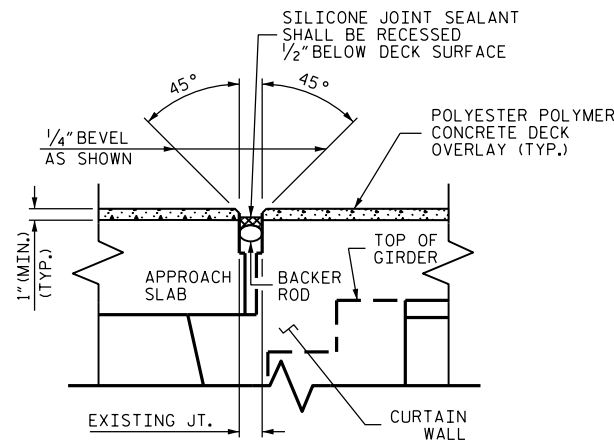
SECTION D-D  
(PROPOSED)



SECTION B-B  
(EXISTING)

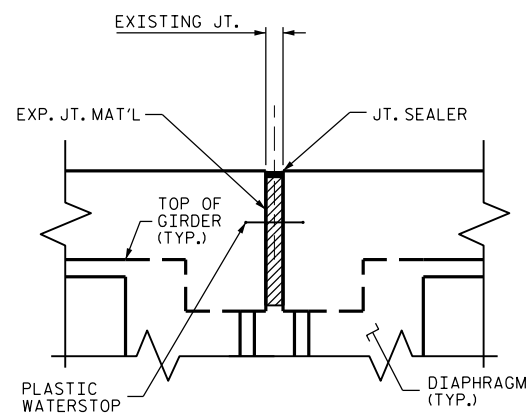


SECTION B-B  
(MINIMUM EXISTING JOINT DEMOLITION)

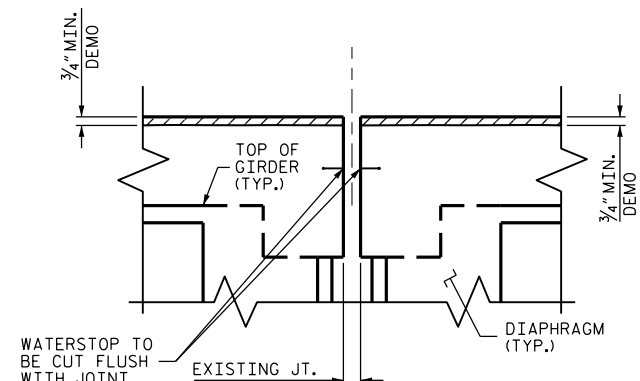


SECTION B-B  
(PROPOSED JOINT SEAL)

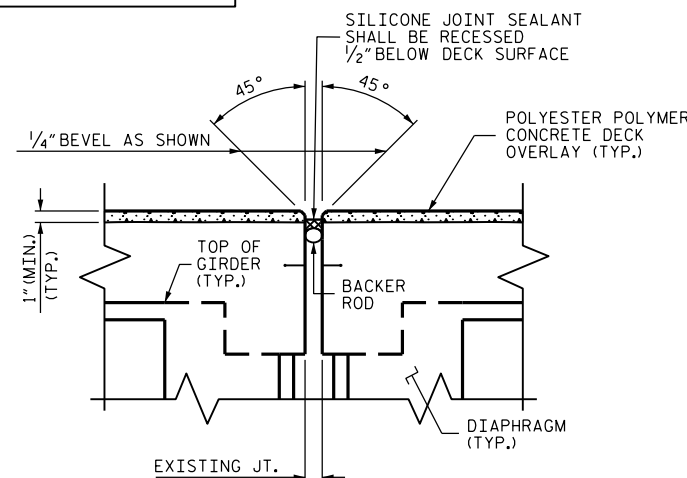
SILICONE JOINT SEALANT AND BACKER ROD SHALL BE INSTALLED AS PER MANUFACTURER'S RECOMMENDATIONS.



SECTION C-C  
(EXISTING)



SECTION C-C  
(MINIMUM EXISTING JOINT DEMOLITION)



SECTION C-C  
(PROPOSED JOINT SEAL)

IF THE EMBEDDED PORTION OF THE EXISTING PLASTIC WATERSTOP IS EXPOSED DURING REMOVAL OF UNSOUND CONCRETE, OR IF UNSOUND CONCRETE IS REMOVED WITHIN 2" OF THE WATERSTOP, THE ENTIRE CONCRETE DEPTH TO THE WATERSTOP SHALL BE REMOVED.

PROJECT NO. B-5937  
CURRITUCK COUNTY  
BRIDGE NO. 16

DocuSigned by:

*Timothy M. Sherrill*

AD50B1D977494C...



12/8/2016

STATE OF NORTH CAROLINA  
DEPARTMENT OF TRANSPORTATION  
RALEIGH  
JOINT DETAILS  
APPROACH SLABS,  
SPANS 1-153 & 155,  
156-248

DRAWN BY : CL BRIGHT DATE : 10/16  
CHECKED BY : T. SHERRILL DATE : 10/16

DOCUMENT NOT CONSIDERED FINAL UNLESS ALL SIGNATURES COMPLETED

REVISIONS						SHEET NO.	
NO.	BY:	DATE:	NO.	BY:	DATE:	S-15	
1			3			TOTAL SHEETS	287
2			4				