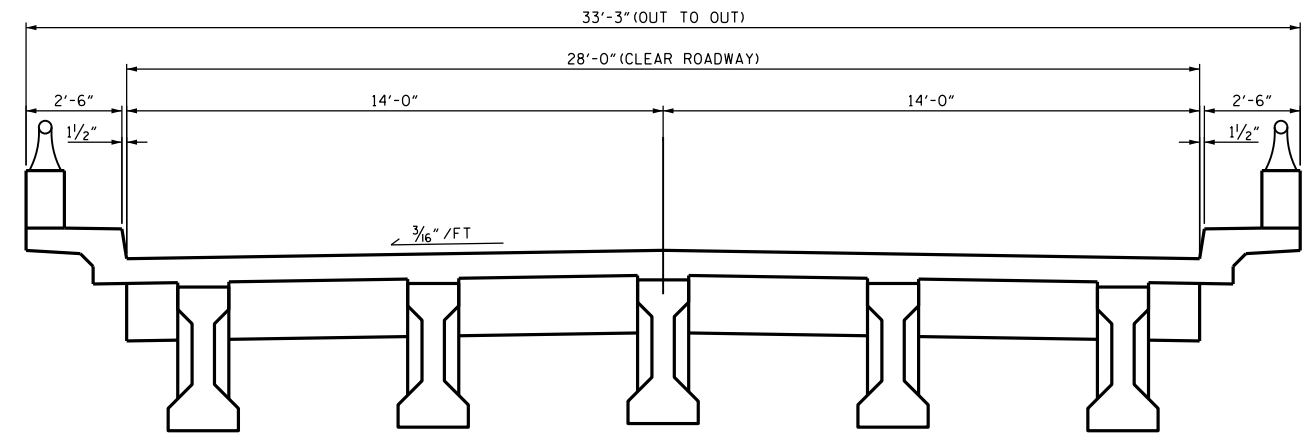
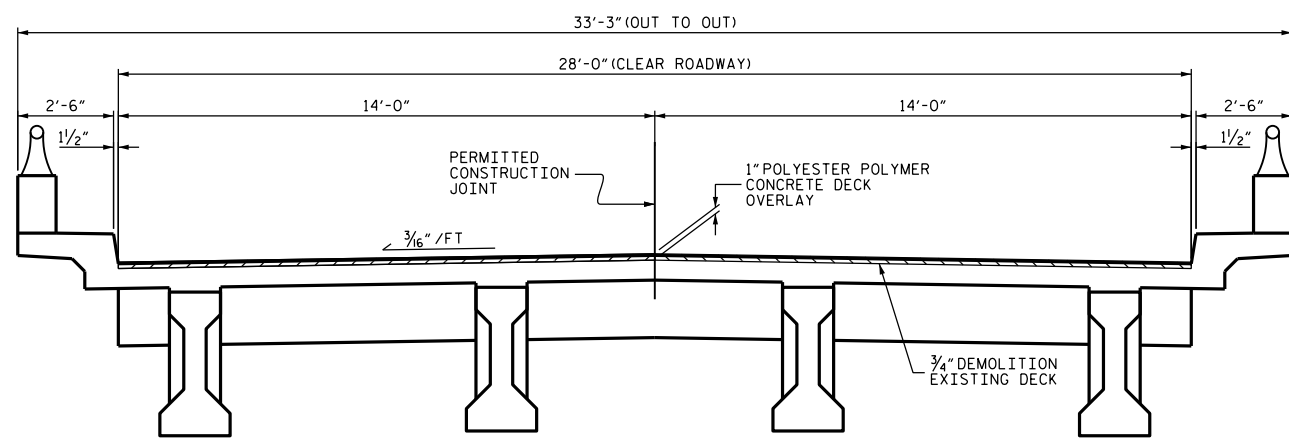


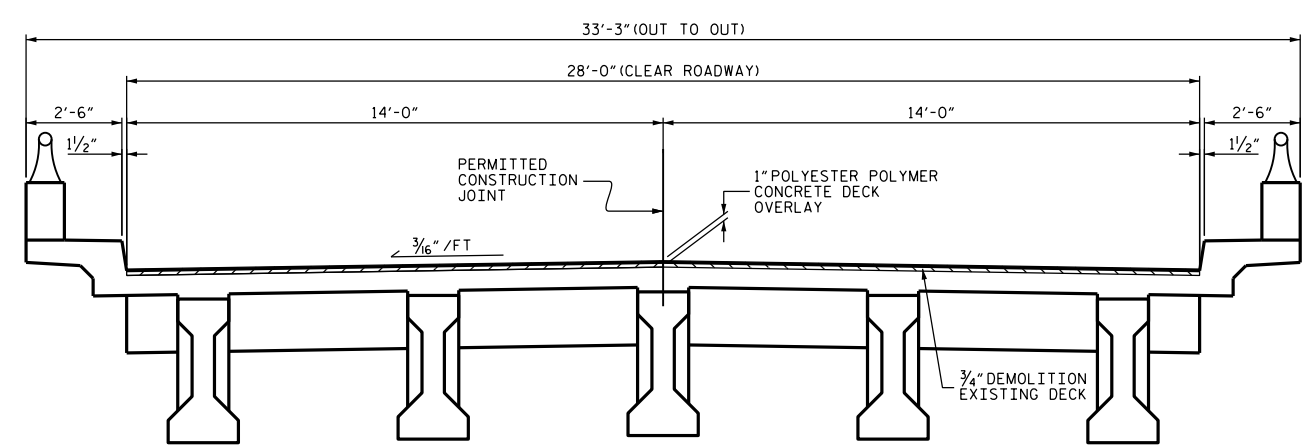
TYPICAL SECTION
(EXISTING SPANS 1-152 & 156-248)



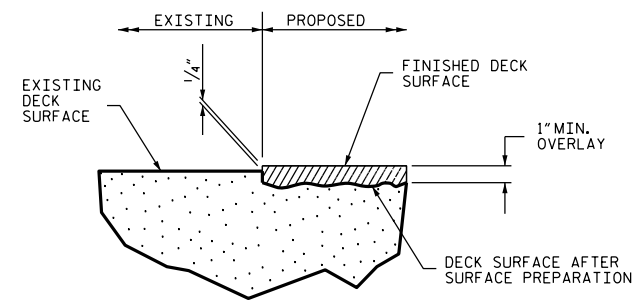
TYPICAL SECTION
(EXISTING SPANS 153 & 155)



TYPICAL SECTION
(PROPOSED SPANS 1-152 & 156-248)



TYPICAL SECTION
(PROPOSED SPANS 153 & 155)



DETAIL FOR PPC OVERLAY
(SHOWN @ GUTTER LINE)

NOTES

ONLY LONGITUDINAL CONSTRUCTION JOINTS SHALL BE ALLOWED IN THE PPC OVERLAY AND ONLY AT THE PERMITTED LOCATION SHOWN.

PROJECT NO. B-5937
CURRITUCK COUNTY
BRIDGE NO. 16

DocuSigned by:

Timothy M. Sherrill

AD50B1D9774940C...



STATE OF NORTH CAROLINA
DEPARTMENT OF TRANSPORTATION
RALEIGH

TYPICAL SECTIONS
SPANS 1-152,
153 & 155,
156-248

12/8/2016

DRAWN BY : CL BRIGHT DATE : 09/16
CHECKED BY : TIM SHERRILL DATE : 10/16

DOCUMENT NOT CONSIDERED
FINAL UNLESS ALL
SIGNATURES COMPLETED

REVISIONS						SHEET NO.
NO.	BY:	DATE:	NO.	BY:	DATE:	
1			3			S-14
2			4			TOTAL SHEETS 287