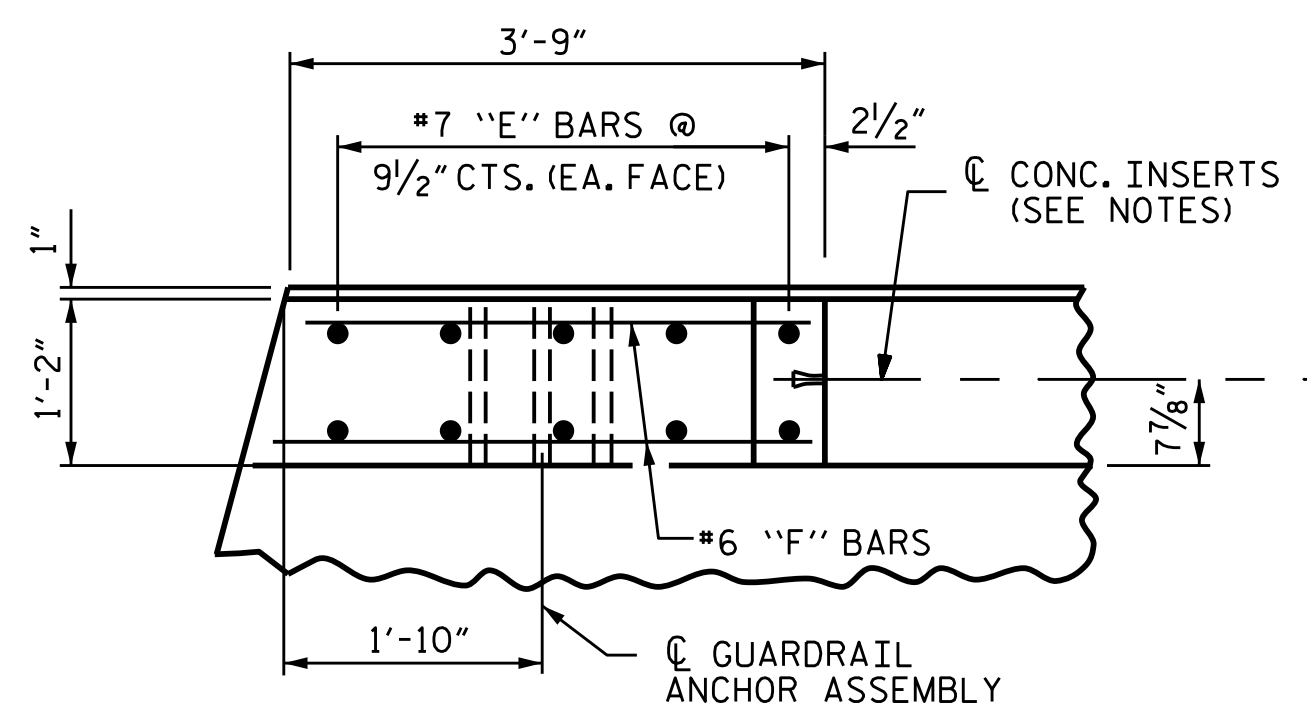
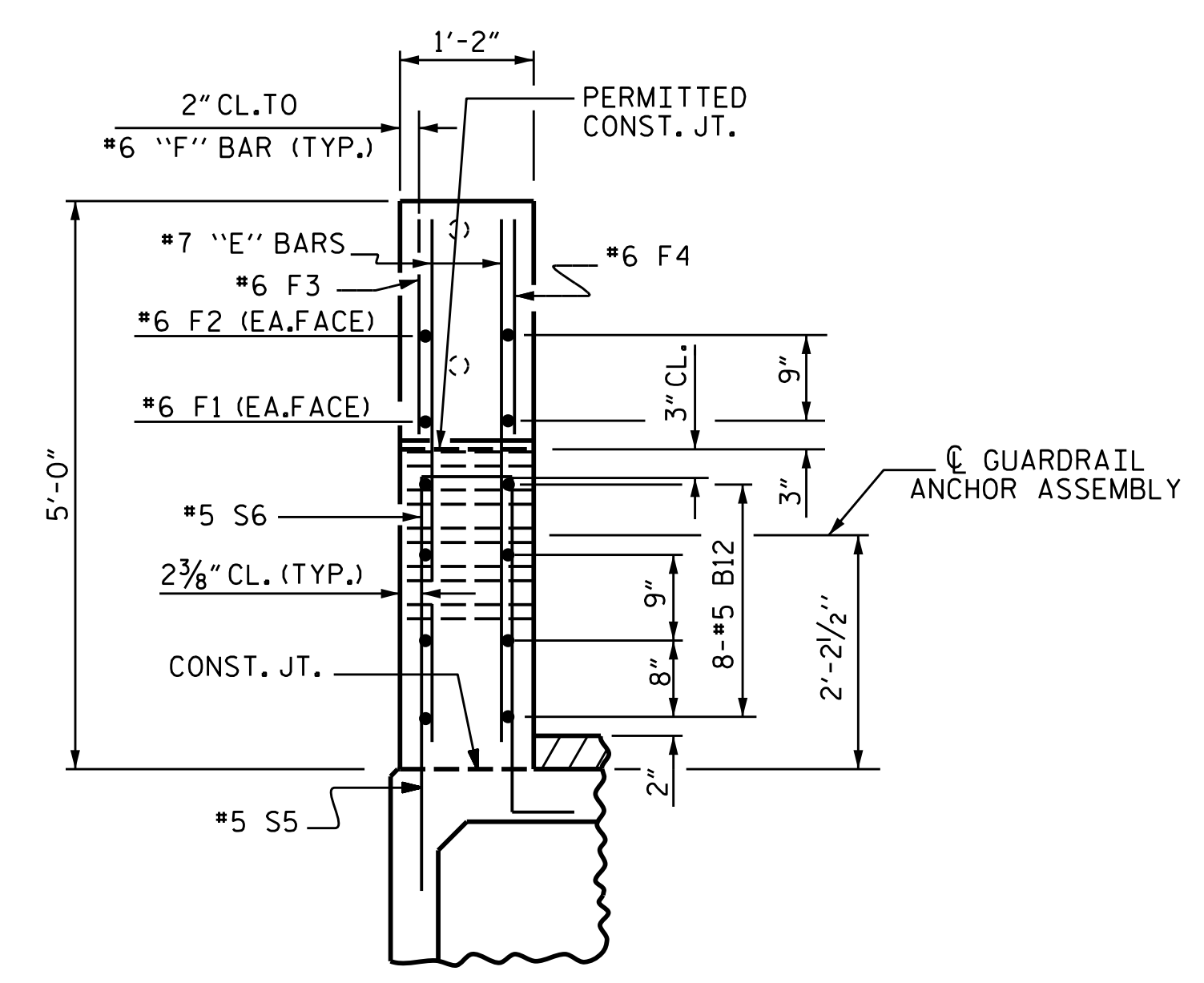


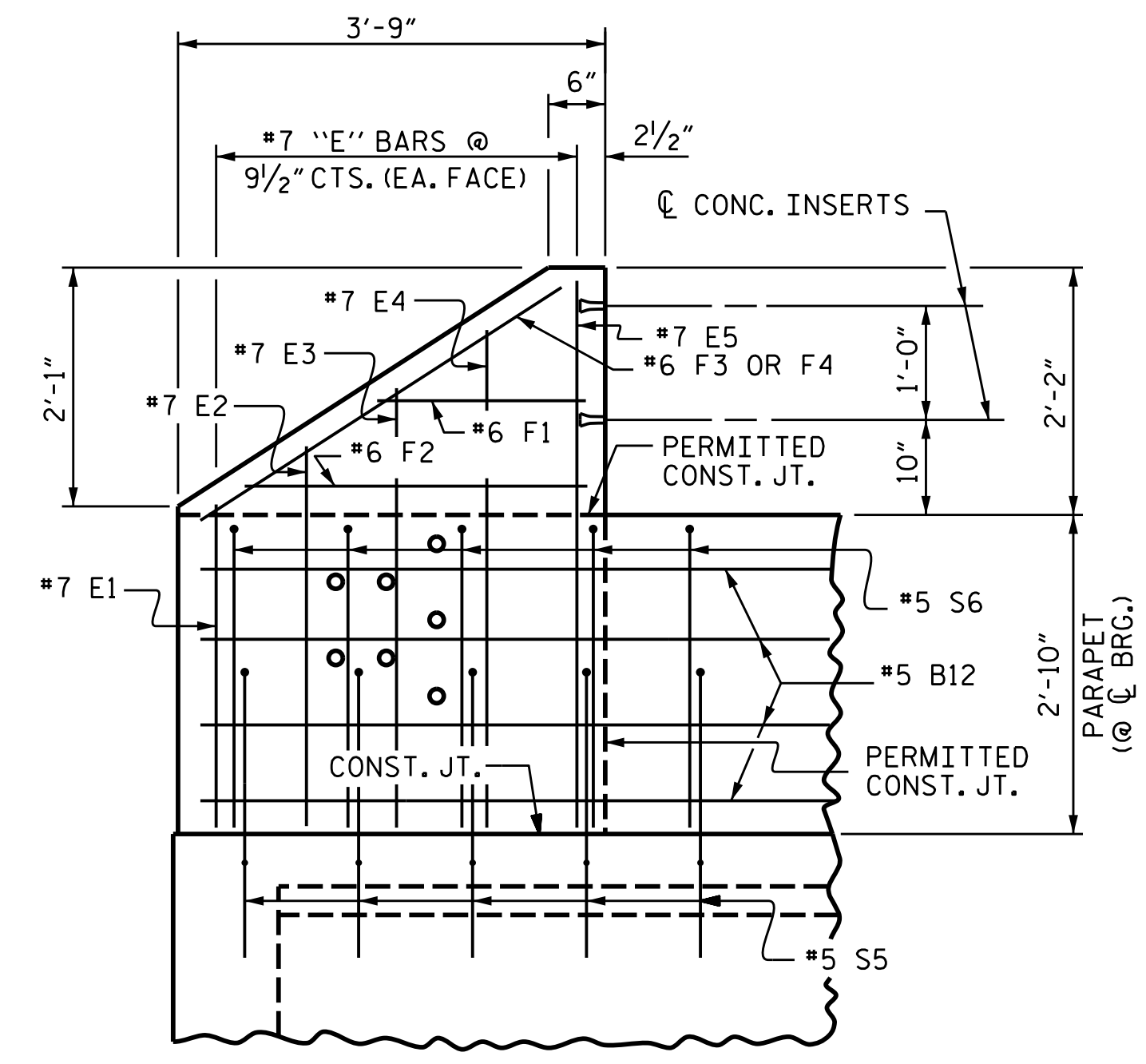
PLAN OF PARAPET



PLAN OF END POST



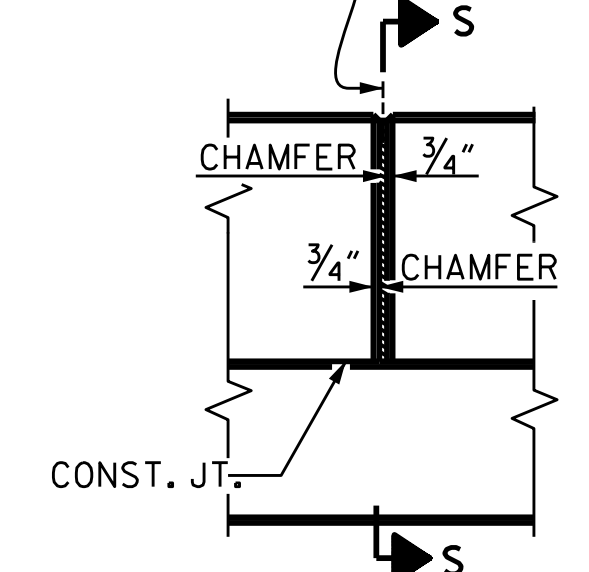
END VIEW



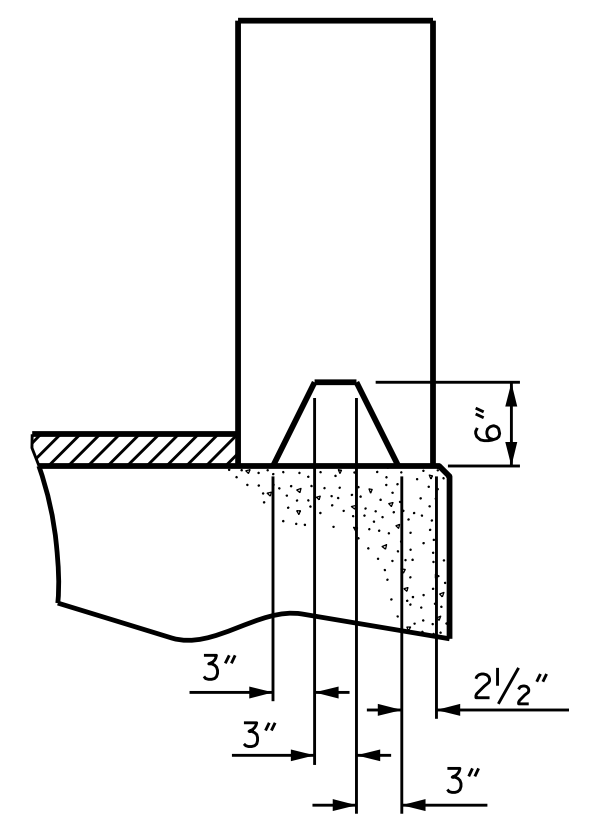
ELEVATION

PARAPET AND END POST FOR TWO BAR RAIL

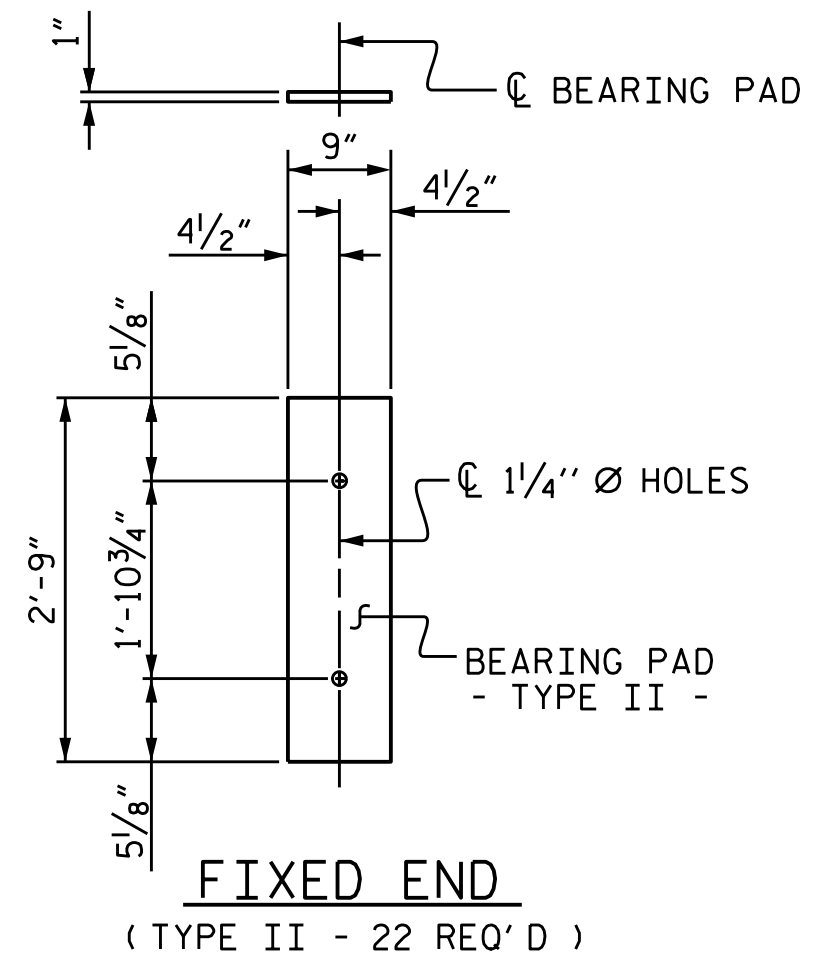
1/2" EXP. JT. MAT'L HELD IN PLACE WITH GALVANIZED NAILS. (NOTE: OMIT EXP. JT. MAT'L. WHEN SLIP FORM IS USED)



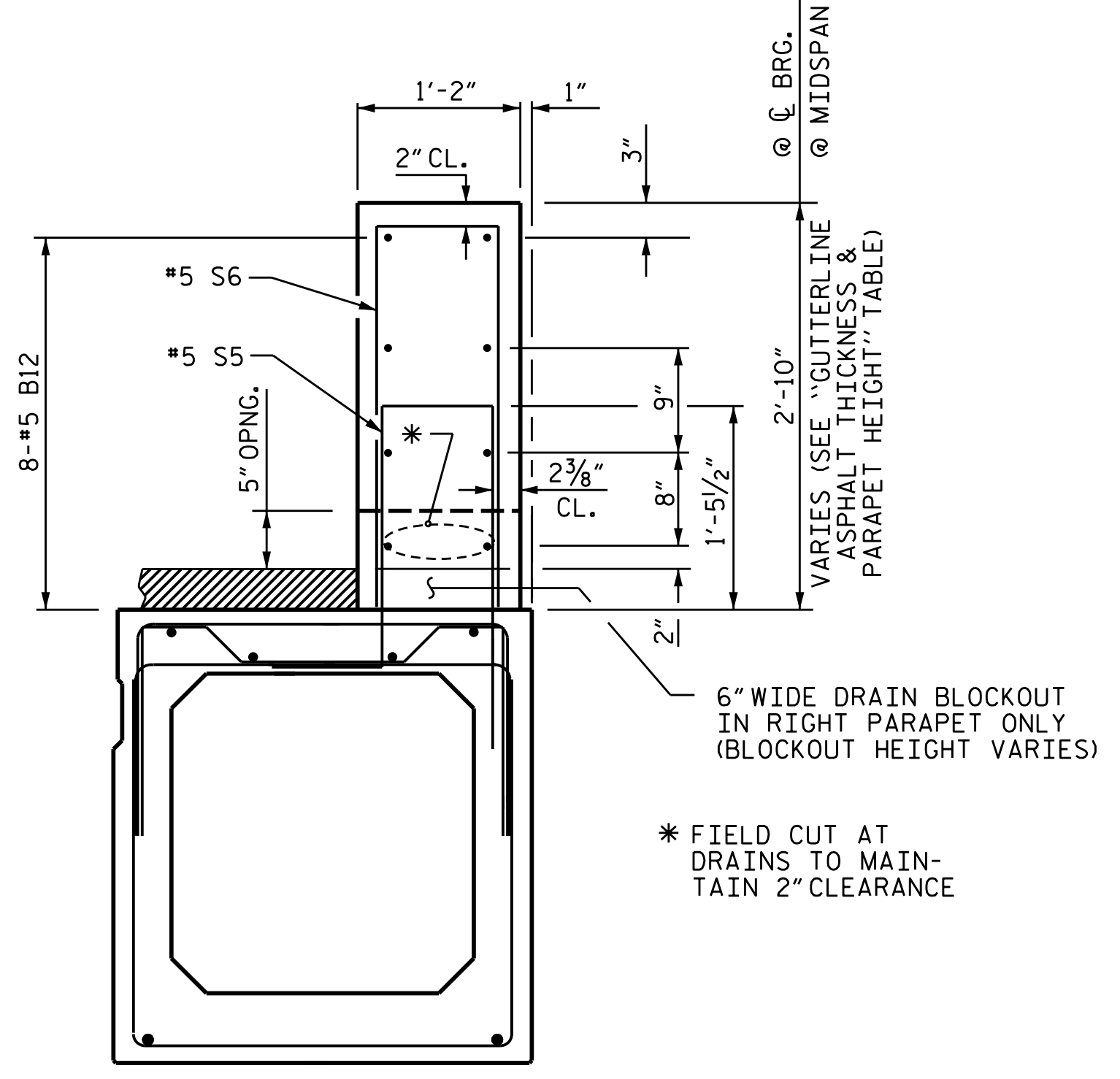
ELEVATION AT EXPANSION JOINTS



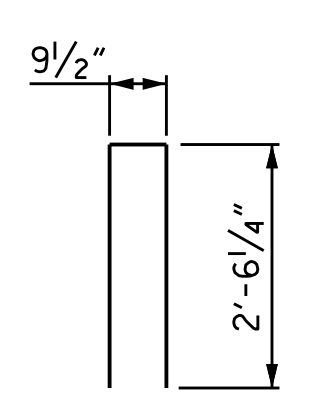
SECTION S-S AT DAM IN OPEN JOINT (THIS IS TO BE USED ONLY WHEN SLIP FORM IS USED)



ELASTOMERIC BEARING DETAILS
ELASTOMER IN ALL BEARINGS SHALL BE 60 DUROMETER HARDNESS.



SECTION THRU PARAPET



BAR TYPE
BAR DIMENSIONS ARE OUT TO OUT

| BILL OF MATERIAL FOR PARAPET & 4 END POSTS | | | | | | |
|---|-----|------|------|----------|--------|--|
| BAR | NO. | SIZE | TYPE | LENGTH | WEIGHT | |
| *B12 | 128 | #5 | STR | 14'-2" | 1881 | |
| *E1 | 8 | #7 | STR | 3'-0" | 49 | |
| *E2 | 8 | #7 | STR | 3'-7" | 59 | |
| *E3 | 8 | #7 | STR | 4'-1" | 67 | |
| *E4 | 8 | #7 | STR | 4'-7" | 75 | |
| *E5 | 8 | #7 | STR | 4'-11" | 80 | |
| *F1 | 8 | #6 | STR | 1'-10" | 22 | |
| *F2 | 8 | #6 | STR | 3'-0" | 36 | |
| *F3 | 4 | #6 | STR | 3'-3" | 20 | |
| *F4 | 4 | #6 | STR | 3'-6" | 21 | |
| *S6 | 200 | #5 | 1 | 5'-10" | 1217 | |
| * EPOXY COATED REINFORCING STEEL | | | | LBS. | 3527 | |
| CLASS AA CONCRETE | | | | CU. YDS. | 25.2 | |
| TOTAL LIN. FT. OF 1'-2" X 2'-10" CONCRETE PARAPET | | | | | 200.00 | |

BOX BEAM UNITS REQUIRED

| | NUMBER | LENGTH | TOTAL LENGTH |
|---------------|--------|---------|--------------|
| EXTERIOR B.B. | 2 | 100'-0" | 200'-0" |
| INTERIOR B.B. | 9 | 100'-0" | 900'-0" |
| TOTAL | 11 | | 1100'-0" |

| GUTTERLINE ASPHALT THICKNESS & RAIL HEIGHT | | |
|--|--------------------------------------|---------------------------|
| | ASPHALT OVERLAY THICKNESS @ MID-SPAN | PARAPET HEIGHT @ MID-SPAN |
| 100' UNITS | 2 3/8" | 2'-8 1/2" |

NOTES

FOR DETAILS OF CONCRETE INSERT AND GUARDRAIL ANCHOR ASSEMBLY, SEE "RAIL POST SPACINGS AND END OF RAIL DETAILS" SHEETS.
ALL REINFORCING STEEL IN CONCRETE PARAPET SHALL BE EPOXY COATED.
THE REINFORCING STEEL & CONCRETE IN THE END POSTS ARE INCLUDED IN THE UNIT PRICE BID FOR THE CONCRETE PARAPET.

PROJECT NO. B-5397
RUTHERFORD COUNTY
STATION: 15+40.00 -L-

SHEET 5 OF 5

STATE OF NORTH CAROLINA
DEPARTMENT OF TRANSPORTATION
RALEIGH

1'-2" X 2'-10" CONCRETE PARAPET DETAILS



12/22/2016

ASSEMBLED BY : B. A. DUKE DATE : 3-29-16
CHECKED BY : W. J. HARRIS DATE : 8-16
DRAWN BY : DGE 10/11 REV. 4/15 MAA/TMG
CHECKED BY : TMG 11/11

| REVISIONS | | | | | | SHEET NO. |
|-----------|-----|-------|-----|-----|-------|-----------------|
| NO. | BY: | DATE: | NO. | BY: | DATE: | S-8 |
| 1 | | | 3 | | | TOTAL SHEETS 18 |
| 2 | | | 4 | | | |

DOCUMENT NOT CONSIDERED FINAL UNLESS ALL SIGNATURES COMPLETED