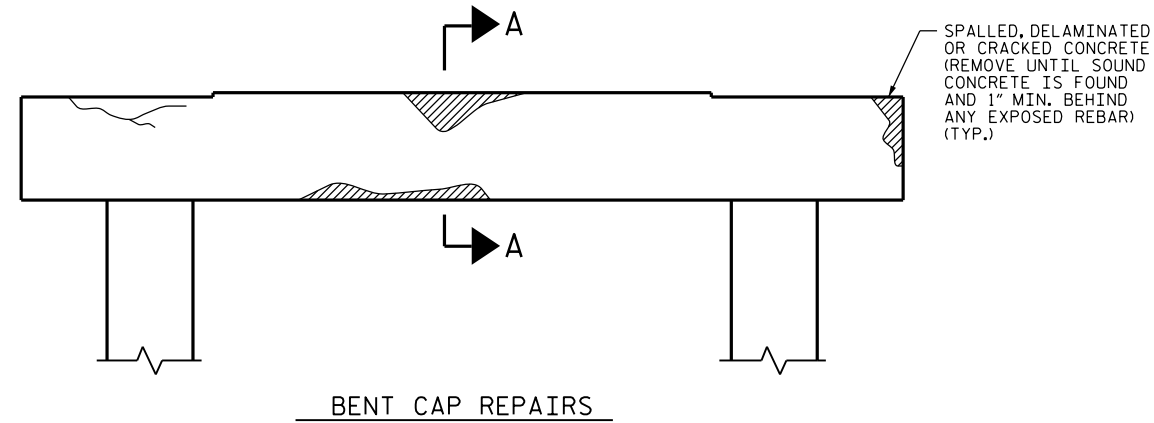
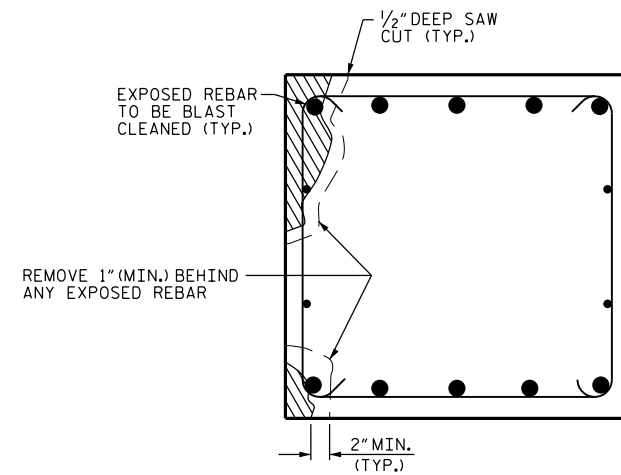


NOTE

TYPICAL REPAIRS FOR ROUND-COLUMNED BENTS ARE SHOWN. REPAIR DETAILS SIMILAR FOR END BENT CAPS AND SQUARE-COLUMNED BENTS.

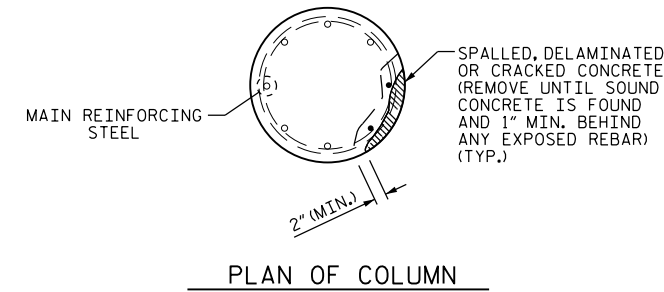


BENT CAP REPAIRS

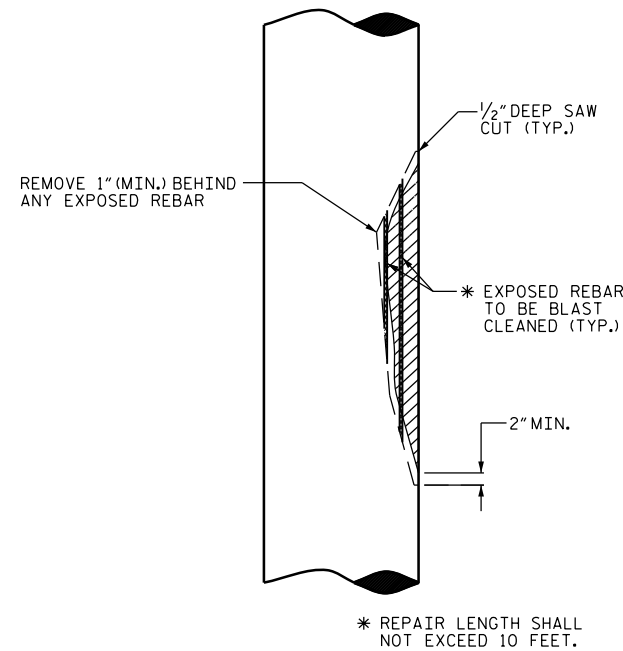


SECTION A-A

CAP REPAIR



PLAN OF COLUMN



ELEVATION OF CAP

COLUMN REPAIR

PROJECT NO. I-5809
McDOWELL COUNTY
 BRIDGE NO. 138, 143, 146, 149,
151, 152

DocuSigned by:
John A. Yannaccone
 7BC20E0C-8E8E-483E-80E0-77C0E0E0E0E0
 NORTH CAROLINA
 PROFESSIONAL
 SEAL
 32492
 ENGINEER
 JOHN A. YANNACCONE

9/27/2016

STATE OF NORTH CAROLINA DEPARTMENT OF TRANSPORTATION RALEIGH						SHEET NO.
TYPICAL CAP AND COLUMN REPAIR DETAILS						S-68
REVISIONS						TOTAL SHEETS
NO.	BY:	DATE:	NO.	BY:	DATE:	68
1			3			68
2			4			

DRAWN BY : J. YANNACCONE DATE : 1/16
 CHECKED BY : S. WANCE DATE : 1/16

DOCUMENT NOT CONSIDERED
 FINAL UNLESS ALL
 SIGNATURES COMPLETED