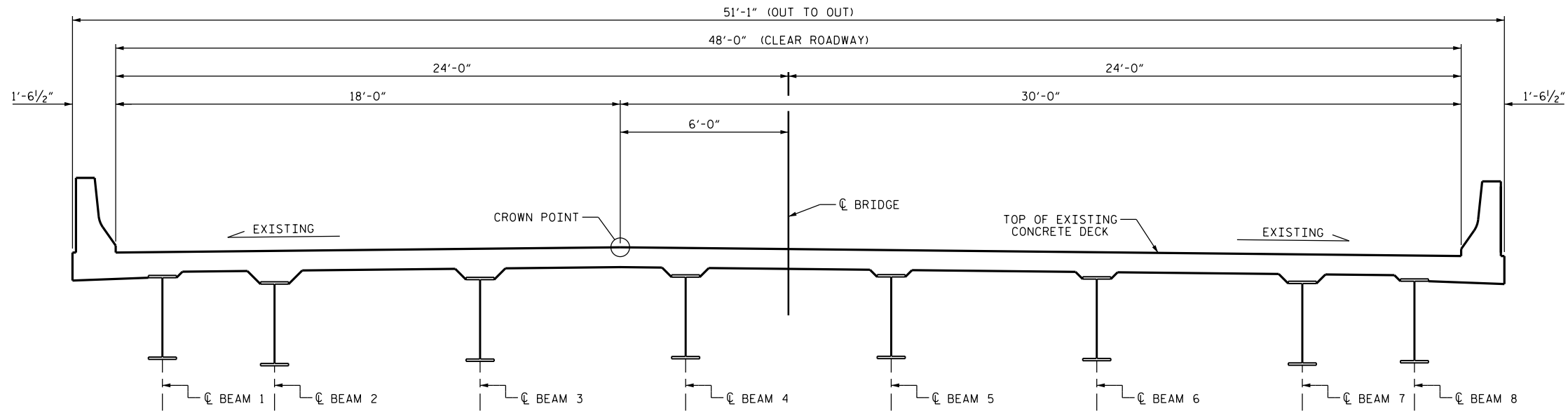
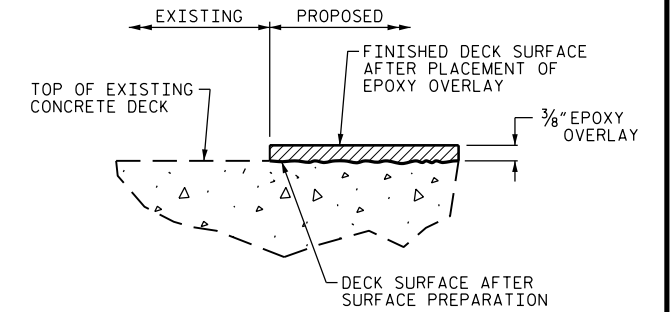


**NOTE:**

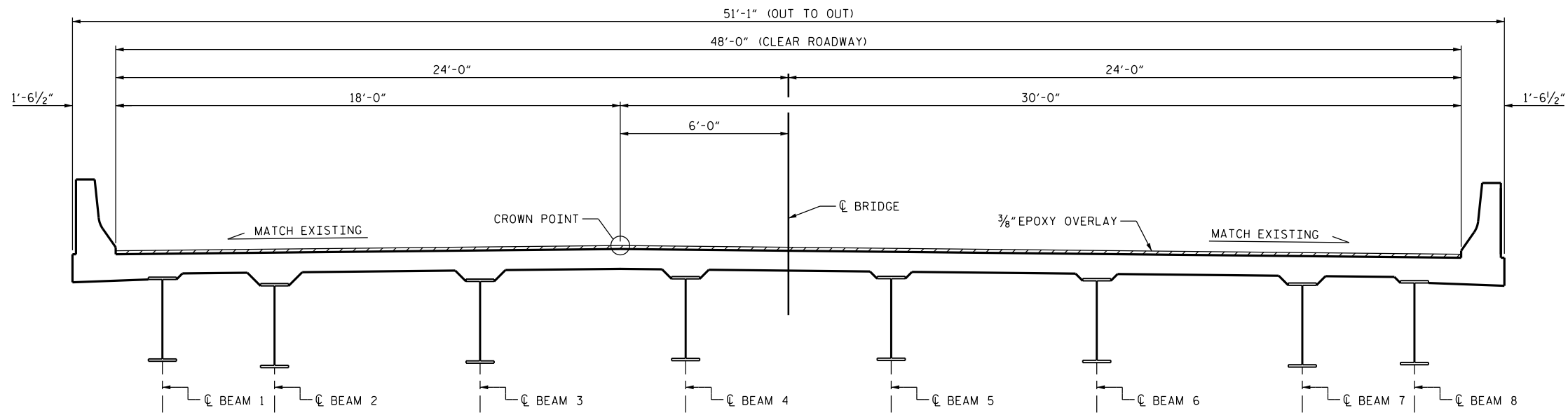
SEE TRAFFIC MANAGEMENT PLANS FOR LANE WIDTHS, SEQUENCING, AND OTHER TRAFFIC CONTROL MEASURES FOR STAGING OF EPOXY OVERLAY SYSTEM AND SURFACE PREPARATION.



**TYPICAL SECTION**  
(EXISTING)



**DETAIL FOR EPOXY OVERLAY**

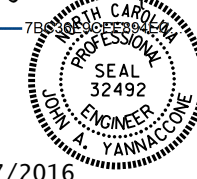


**TYPICAL SECTION**  
(PROPOSED)

PROJECT NO. I-5809  
McDOWELL COUNTY  
BRIDGE NO. 138

DocuSigned by:

*John A. Yannaccone*



9/27/2016

STATE OF NORTH CAROLINA  
DEPARTMENT OF TRANSPORTATION  
RALEIGH

**TYPICAL SECTION & EPOXY OVERLAY DETAIL**

DRAWN BY : W.F. PARKER DATE : 05/16  
CHECKED BY : J.P. ADAMS DATE : 6/2016

DOCUMENT NOT CONSIDERED  
FINAL UNLESS ALL  
SIGNATURES COMPLETED

REVISIONS						SHEET NO.
NO.	BY:	DATE:	NO.	BY:	DATE:	
1			3			S-4
2			4			TOTAL SHEETS 68