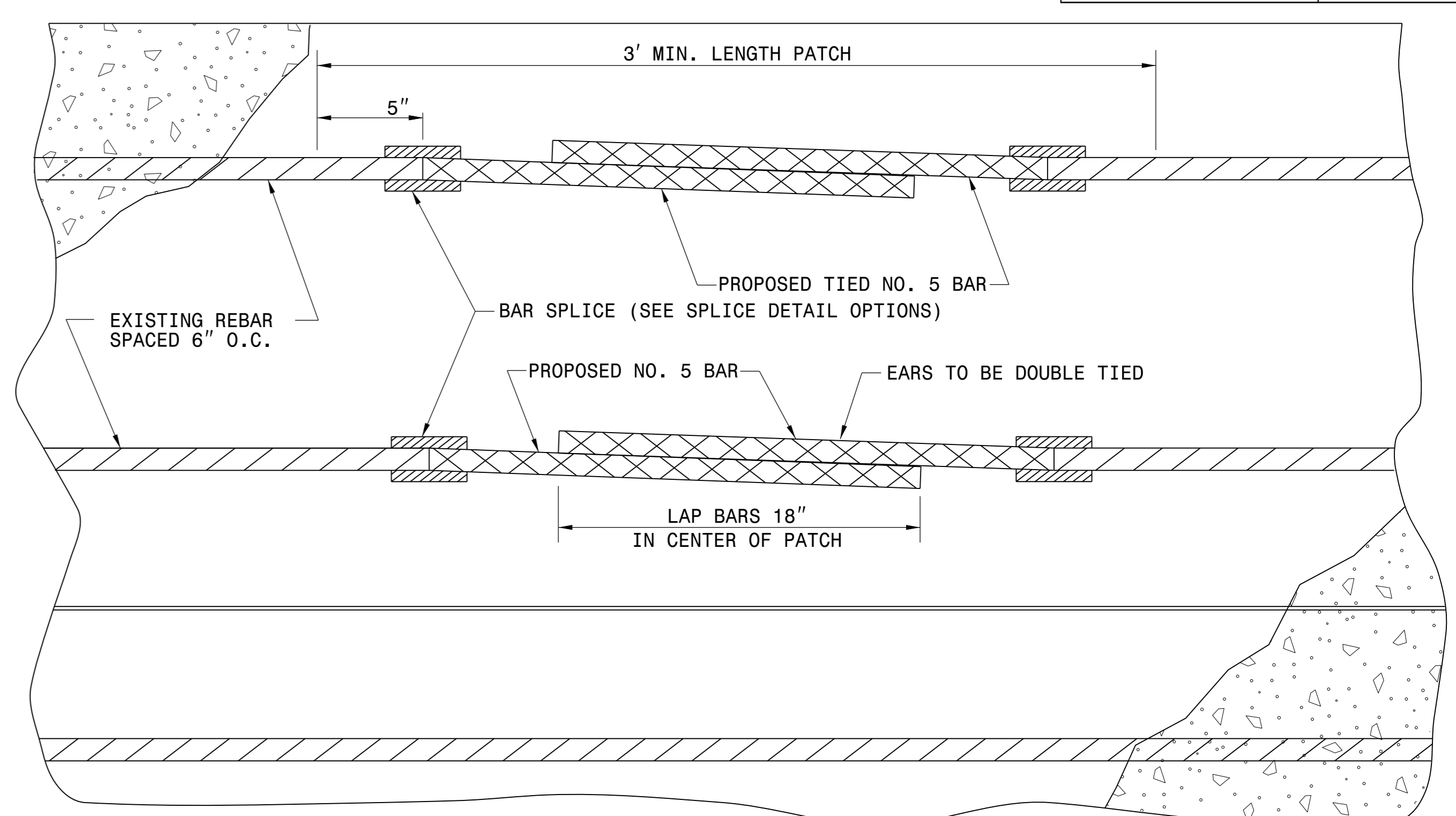
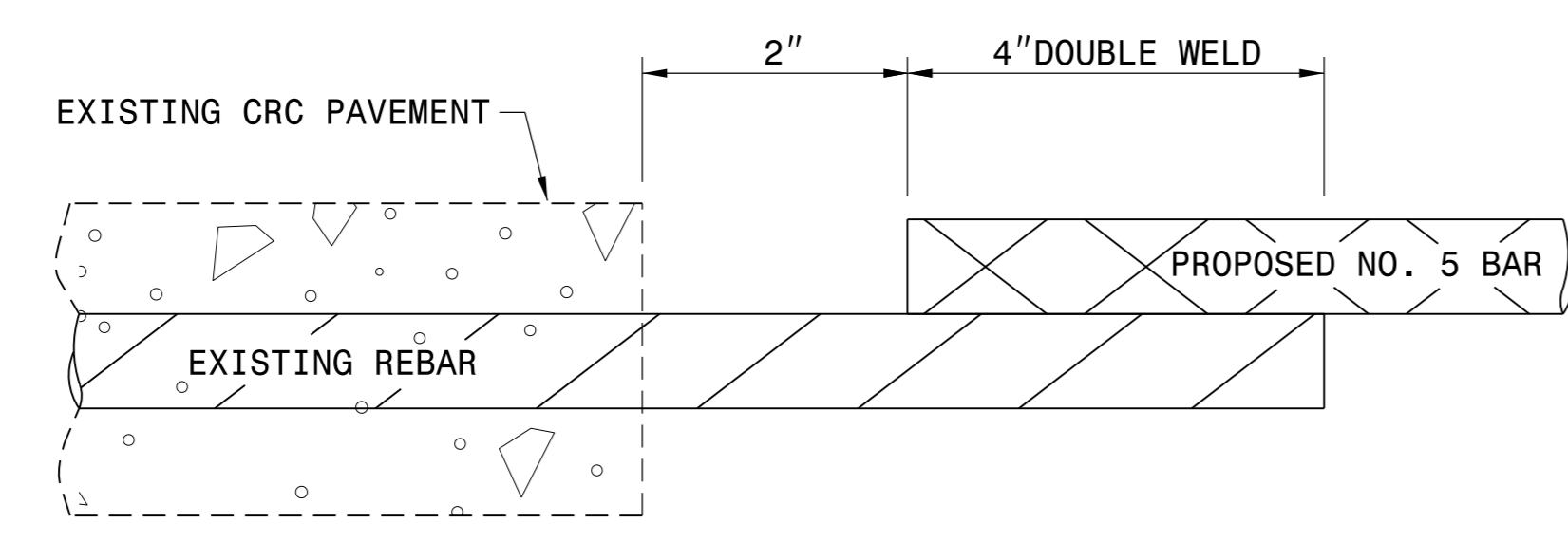


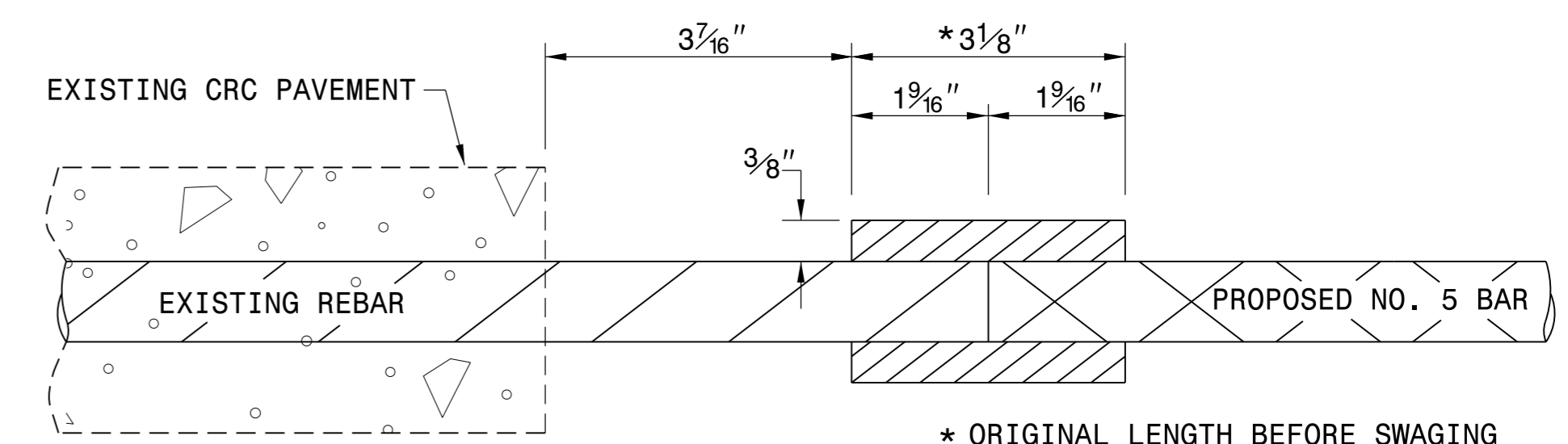
PLAN



PLAN

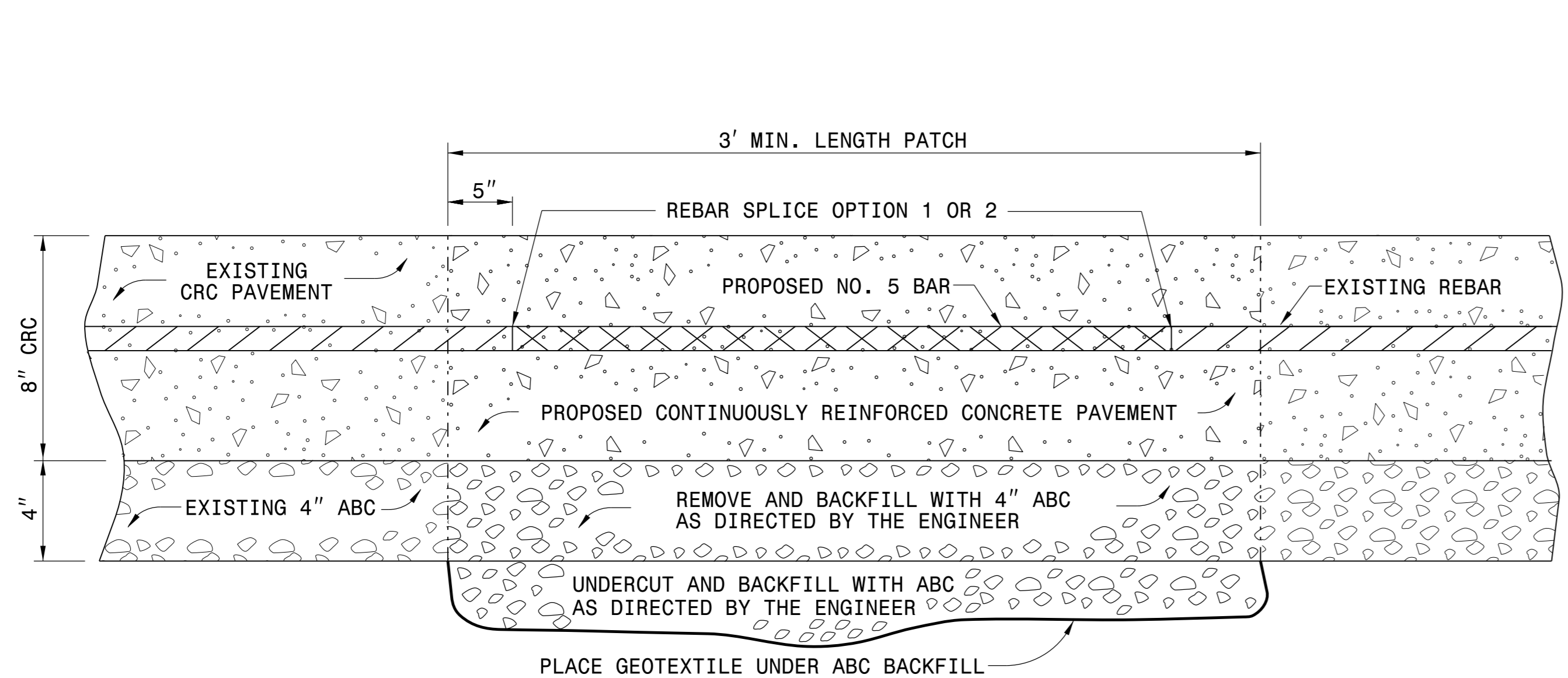


OPTION 1 - DETAIL OF WELDED SPLICE

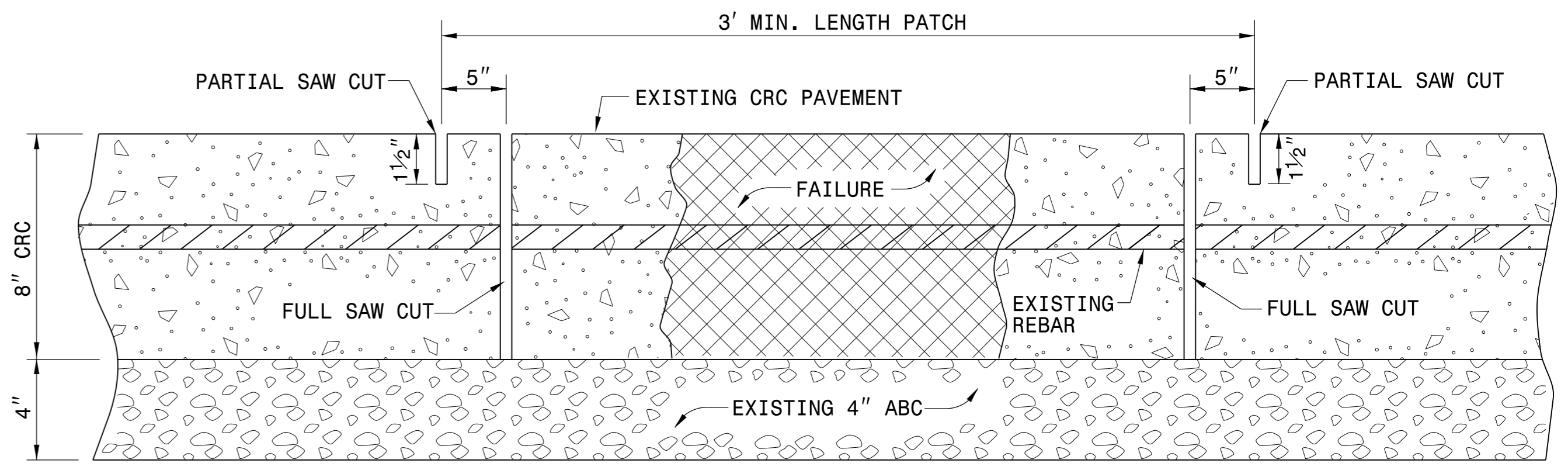


* ORIGINAL LENGTH BEFORE SWAGING

OPTION 2 - DETAIL OF MECHANICAL SPLICE



DETAIL OF CONCRETE PAVEMENT REMOVAL AND REPLACEMENT



DETAIL OF SAW CUTS

PLACE BAR SUPPORTS ON 5' CENTERS FOR PATCHES GREATER THAN 10' IN LENGTH AND AT CENTER OF PATCH FOR REPAIRS LESS THAN 10'. HEIGHT OF SUPPORTS DETERMINED BY THE CONTRACTOR.



CONTRACT STANDARDS AND DEVELOPMENT UNIT
Office 919-707-6950 FAX 919-250-4119

DETAIL FOR REPAIR OF CONTINUOUSLY REINFORCED CONCRETE PAVEMENT

ORIGINAL BY: E.E. WARD	DATE: 4-98
MODIFIED BY: JSH	DATE: 6-13
CHECKED BY:	DATE:
FILE SPEC.: usr/details/stand/crcrepair.dgn	