

**CHANNEL 28 NEW
EXISTING SPLICE ENCLOSURE
IN CABINET
(HOPE MILLS RD AT LAKEVIEW RD)
SIG ID 06-0069**

COLOR CODE
TIA/EIA 598-C

(1) BLUE	(7) RED
(2) ORANGE	(8) BLACK
(3) GREEN	(9) YELLOW
(4) BROWN	(10) VIOLET
(5) SLATE	(11) ROSE
(6) WHITE	(12) AQUA

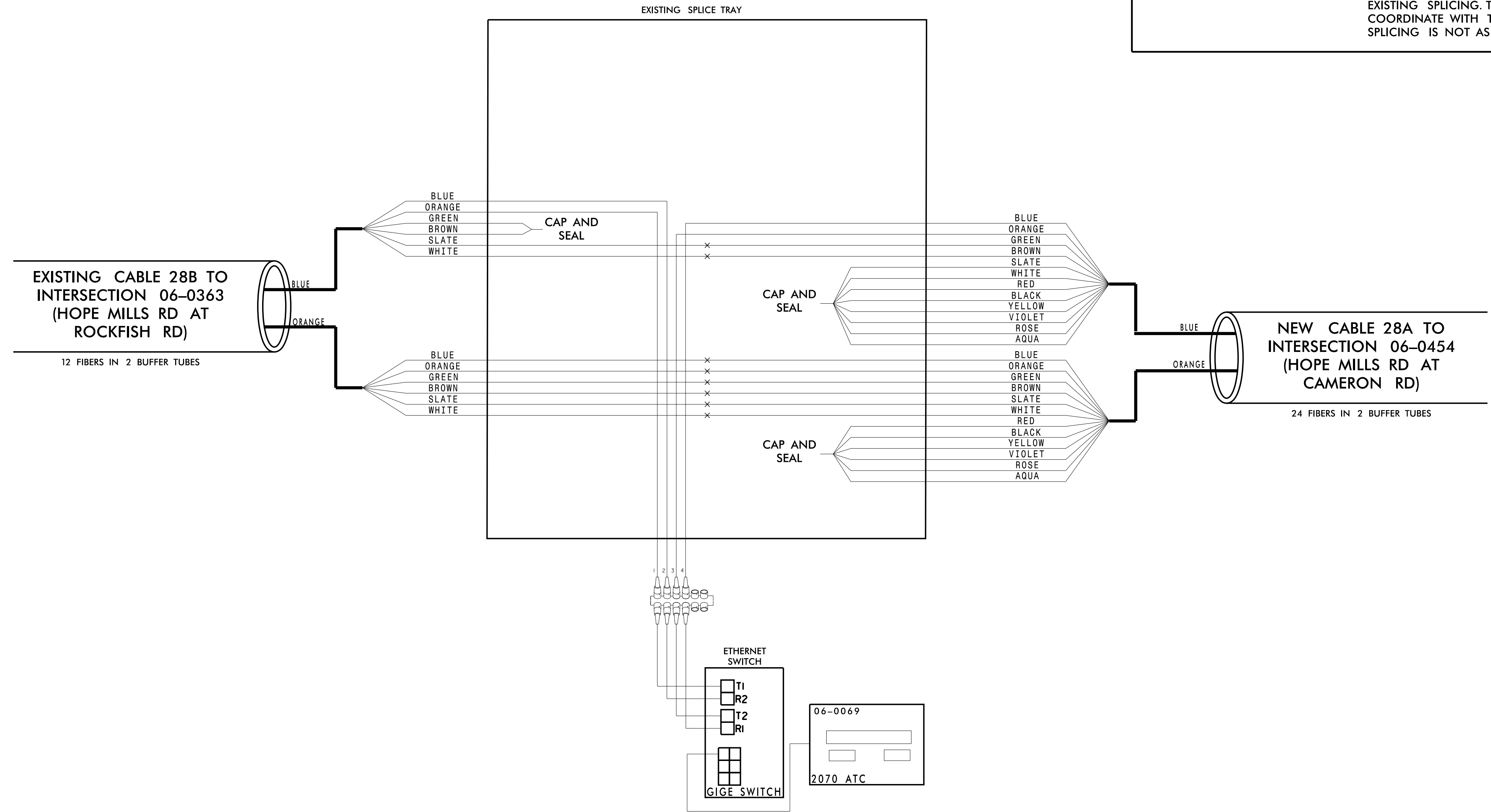
LEGEND

- X - FUSION SPLICE INDIVIDUAL FIBER
- O - EXISTING SPLICE
- - EXPRESS INDIVIDUAL FIBER

EXPRESS: EXPRESS ENTIRE BUFFER TUBE
SPLICE: SPLICE ENTIRE BUFFER TUBE OR MAINTAIN IF EXISTING EXPRESSED

NOTES:

- FIBER INTERCONNECT CENTER RACKS ARE SCHEMATIC ONLY - ACTUAL EQUIPMENT FORM MAY VARY.
- ETHERNET SWITCH TERMINATION CONFIGURATIONS ARE GENERIC. CONTRACTOR IS RESPONSIBLE FOR DETERMINING /ENSURING PROPER TERMINATION.
- CONTRACTOR IS RESPONSIBLE FOR FIELD VERIFYING EXISTING SPLICING. THE CONTRACTOR SHALL COORDINATE WITH THE ENGINEER WHERE EXISTING SPLICING IS NOT AS EXPECTED.



11/15/2016 KARAL_TPTD_ITS_01036305 - Fayetteville Sig Sys\Plans\Splicing\01036305-ITS_psh_250-CH28_06-0069.dgn

CHANNEL 28 NEW

**FAYETTEVILLE COMPUTERIZED
SIGNAL SYSTEM
SPLICE DETAIL**

Kimley»Horn
NC License #F-0102
421 Fayetteville St., Suite 600
Raleigh, NC 27636
Tel: (919) 677-2000
Fax: (919) 677-2050

	DIVISION 06 CUMBERLAND COUNTY		
	PLAN DATE: NOVEMBER 2016	REVIEWED BY: N.M. MENGELKOCH	
SCALE: 0	REVISIONS	INIT.	DATE
DocuSigned by: Kevin W. Smith			11/15/2016
CADD Filename:			DATE