

CHANNEL 8
EXISTING SPLICE ENCLOSURE
(EASTERN BLVD AT GROVE ST)
SIG ID 06-0041
CCTV 8

COLOR CODE
 TIA/EIA 598-C

(1) BLUE	(7) RED
(2) ORANGE	(8) BLACK
(3) GREEN	(9) YELLOW
(4) BROWN	(10) VIOLET
(5) SLATE	(11) ROSE
(6) WHITE	(12) AQUA

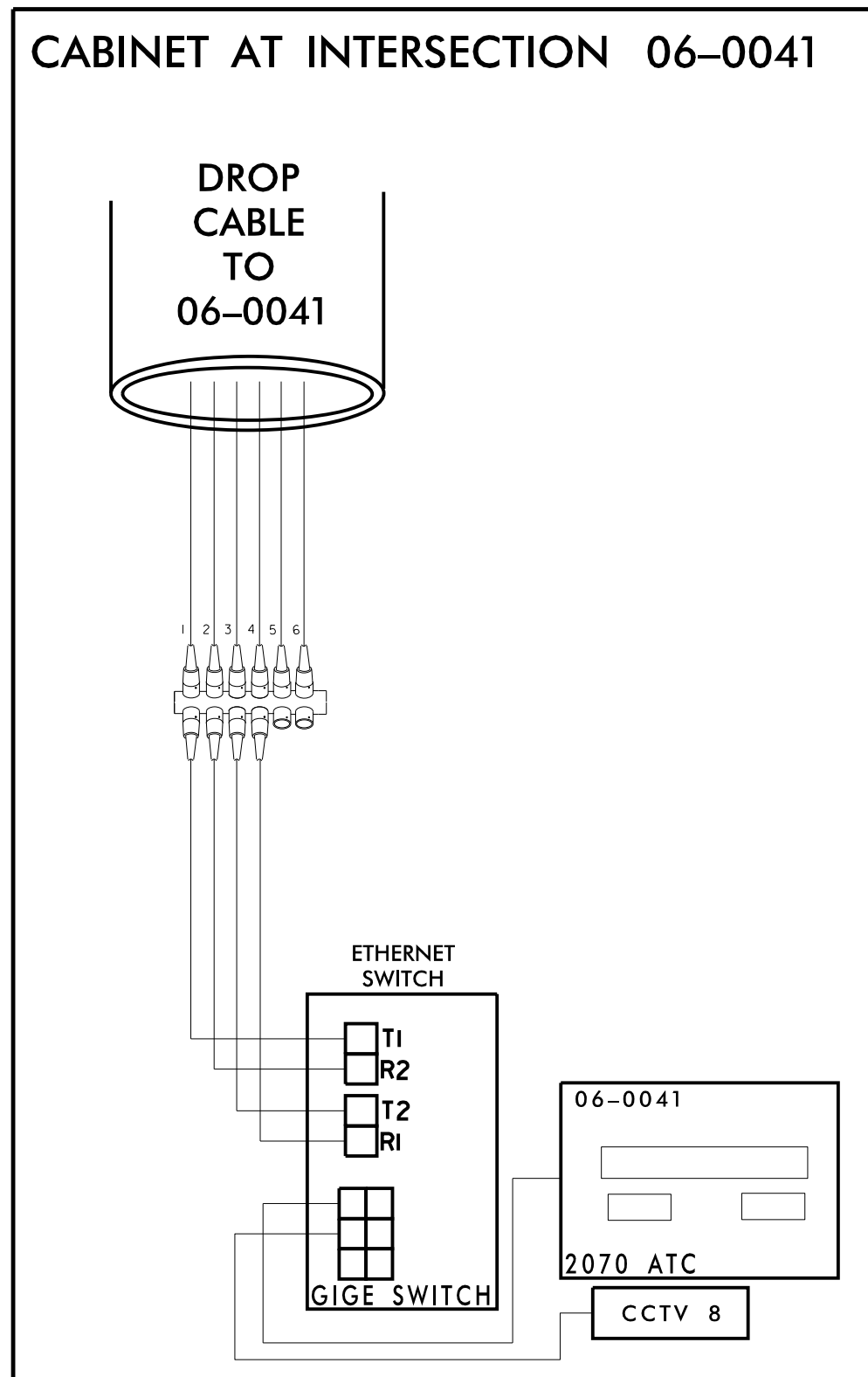
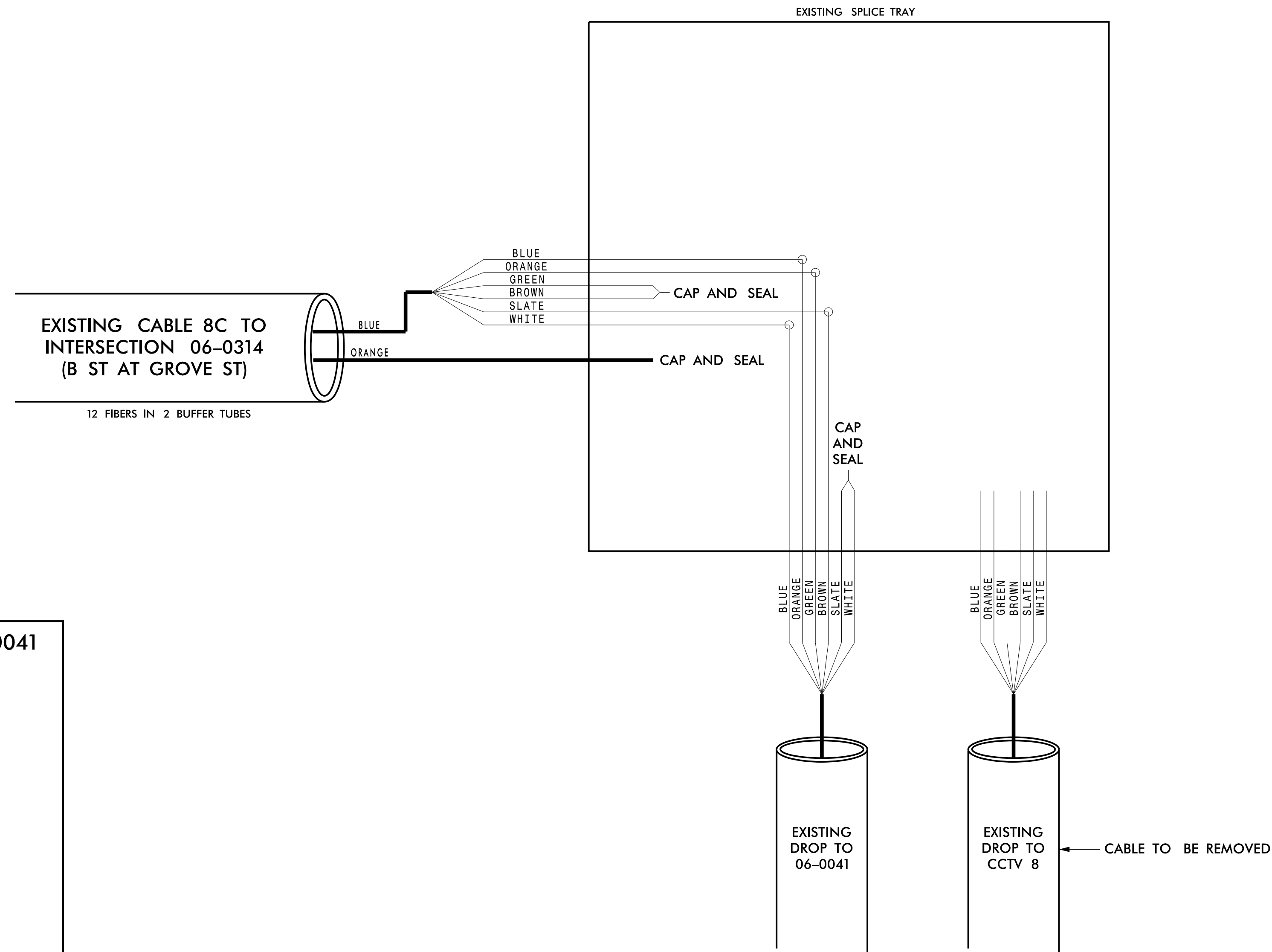
LEGEND

X - FUSION SPLICE INDIVIDUAL FIBER
 O - EXISTING SPLICE
 □ - EXPRESS INDIVIDUAL FIBER

EXPRESS - EXPRESS ENTIRE BUFFER TUBE
 SPLICE - SPLICE ENTIRE BUFFER TUBE OR MAINTAIN IF EXISTING EXPRESSED

NOTES:

- FIBER INTERCONNECT CENTER RACKS ARE SCHEMATIC ONLY - ACTUAL EQUIPMENT FORM MAY VARY.
- ETHERNET SWITCH TERMINATION CONFIGURATIONS ARE GENERIC. CONTRACTOR IS RESPONSIBLE FOR DETERMINING /ENSURING PROPER TERMINATION.
- CONTRACTOR IS RESPONSIBLE FOR FIELD VERIFYING EXISTING SPLICING. THE CONTRACTOR SHALL COORDINATE WITH THE ENGINEER WHERE EXISTING SPLICING IS NOT AS EXPECTED.



CHANNEL 8

FAYETTEVILLE COMPUTERIZED SIGNAL SYSTEM

SPLICE DETAIL

DIVISION 06		CUMBERLAND COUNTY	
PLAN DATE: NOVEMBER 2016	REVIEWED BY: N. M. MENGELKOCH	PREPARED BY: KHA	REVIEWED BY: K. W. SMITH
REVISIONS	INIT.	DATE	

Kimley»Horn
 NC License #F-0102
 421 Fayetteville St., Suite 600
 Raleigh, NC 27636
 Tel: (919) 677-2000
 Fax: (919) 677-2050

250 N. Greenfield Place, Garner, NC 27529

SCALE: 0

SEAL: NORTH CAROLINA PROFESSIONAL ENGINEER KEVIN W. SMITH SEAL 030472
 Signature: Kevin W. Smith
 Date: 11/15/2016
 CADD Filename:

11/15/2016 K:\ARL\TPTD\ITS\01036305 - Fayetteville Sig Sys\Plans\Splicing\01036305-ITS_psh_194-CH8_Harvest CCTV8 06-0041.dgn