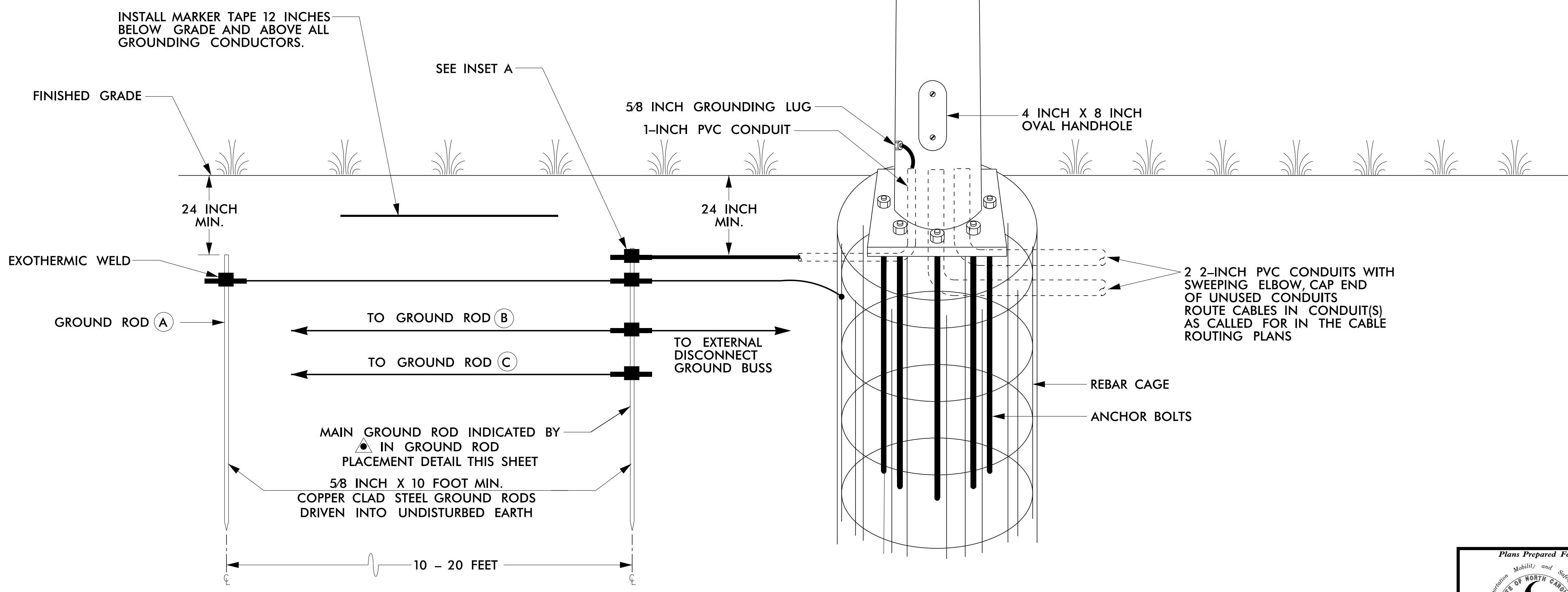
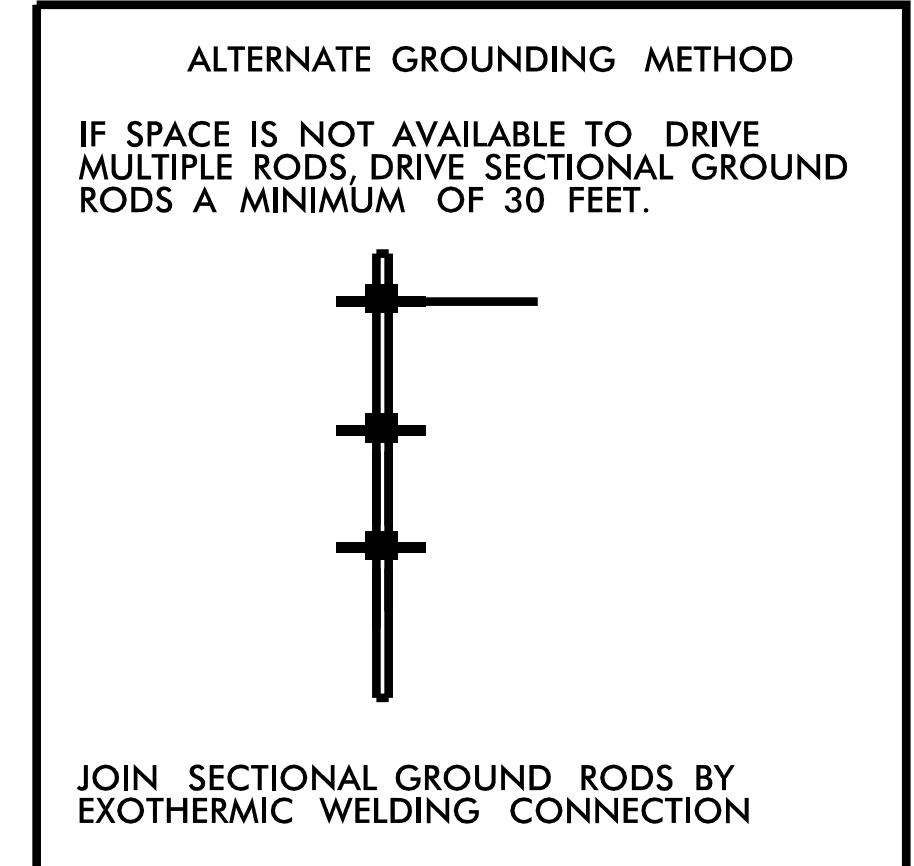


- NOTES**
1. BOND 0.5 INCH DIAMETER, 28 STRAND (MINIMUM) CLASS II COPPER CONDUCTOR TO THE MAIN GROUND ROD BY AN EXOTHERMIC WELD METHOD.
 2. EXOTHERMICALLY WELD ALL CONNECTIONS TO GROUND RODS.
 3. BOND #4 AWG SOLID BARE COPPER WIRE TO REBAR CAGE AND THE MAIN GROUND ROD BY AN EXOTHERMIC WELD METHOD.
 4. ENSURE CAMERA HOUSING, CAMERA, AND PAN -TILT UNIT ARE BONDED TO POLE.
 5. THE CONTRACTOR MAY, UPON APPROVAL OF THE ENGINEER, INSTALL A 30-FOOT SECTIONAL GROUND ROD WHEN CONDITIONS WILLNOT ALLOW FOR THE INSTALLATION OF THE 3 - RADIALGROUND RODS.
 6. INSTALL MARKER TAPE DIRECTLY ABOVE ALL GROUNDING ELECTRODES AND CONDUCTORS AT A DEPTH OF 12 INCHES.



11/15/2016 K:\ARL\TPTD\ITS\01036305 - Fayetteville Sig Sys\Plans\01036305-ITS.psh-7.dfl.dgn

Kimley»Horn
 NC License #F-0102
 421 Fayetteville St., Suite 600
 Raleigh, NC 27636
 Tel: (919) 677-2000
 Fax: (919) 677-2050

	FAYETTEVILLE COMPUTERIZED SIGNAL SYSTEM CCTV CAMERA ON METAL POLE WITHOUT ELECTRICAL SERVICE		SEAL NORTH CAROLINA PROFESSIONAL ENGINEER KEVIN W. SMITH 030472 11/15/2016
	DIVISION 06 PLAN DATE: NOVEMBER 2016 PREPARED BY: J. CROSS	CUMBERLAND COUNTY REVIEWED BY: K. NICHOLAS REVIEWED BY: K. SMITH	
REVISIONS _____			DocuSigned By: Kevin W. Smith 0698E04E3B0440F SIGNATURE DATE CADD File name: