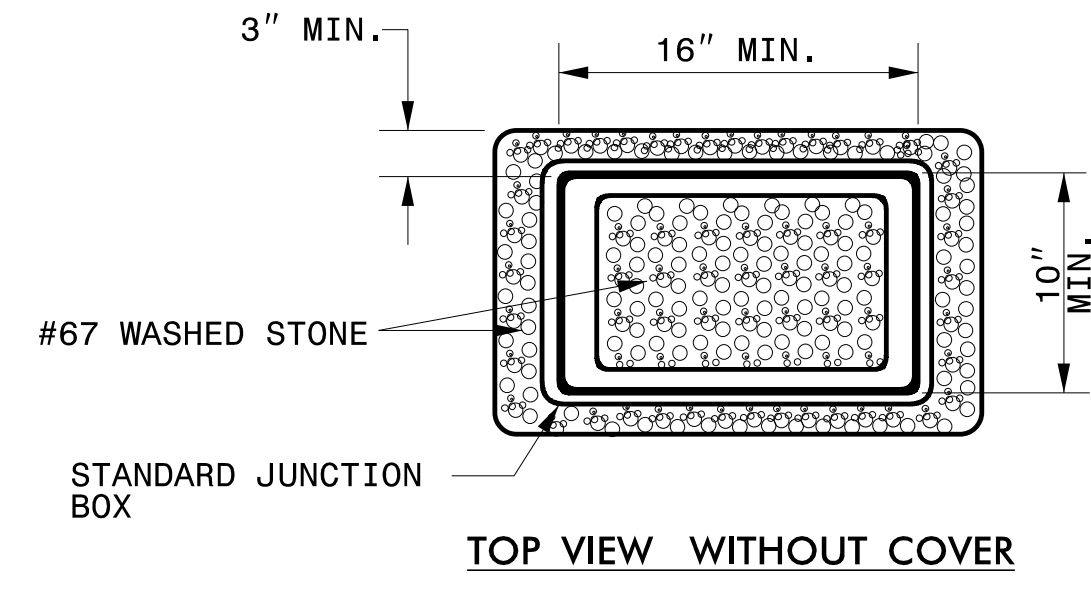
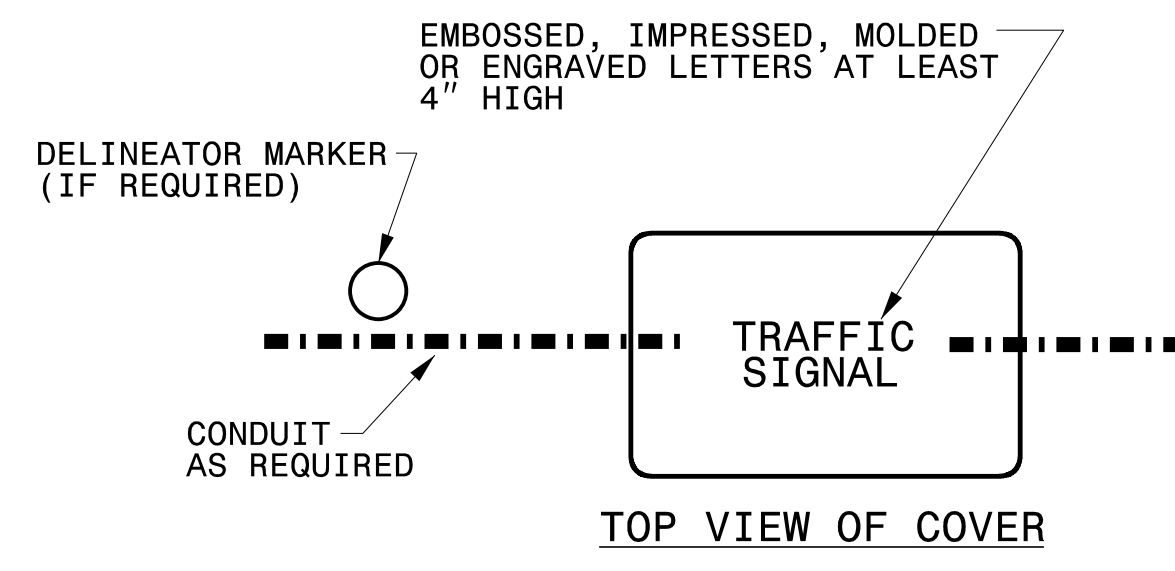
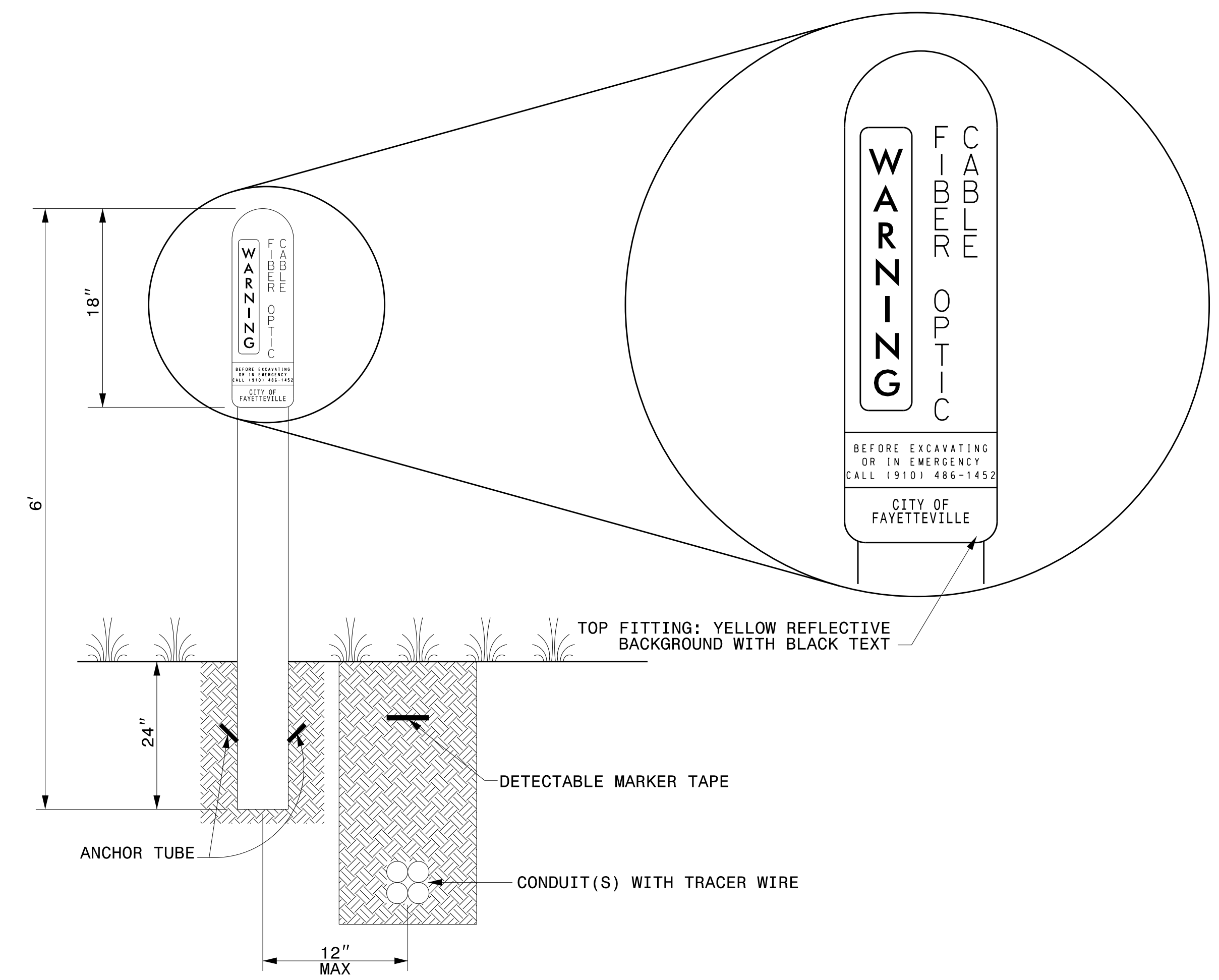


**OVERSIZED HEAVY DUTY JUNCTION BOX TYPICAL DETAIL**



**STANDARD JUNCTION BOX TYPICAL DETAIL**



**PVC POST-MOUNTED DELINEATOR MARKER**

NOTE:  
BACKFILL WITH EXCAVATED MATERIAL AND COMPACT THE SOIL TO 95% OF ITS ORIGINAL DENSITY. REMOVE ROCK AND DEBRIS FROM BACKFILL MATERIAL.

11/15/2016 KARAL.TPTD.ITS\01036305 - Fayetteville Sig Sys\Plans\01036305.ITS.psh\_6.dfl.dgn

**Kimley»Horn**  
 NC License #F-0102  
 421 Fayetteville St., Suite 600  
 Raleigh, NC 27636  
 Tel: (919) 677-2000  
 Fax: (919) 677-2050

	<b>FAYETTEVILLE COMPUTERIZED SIGNAL SYSTEM</b> <b>JUNCTION BOX AND DELINEATOR DETAILS</b>		
	DIVISION 06	CUMBERLAND COUNTY	
PLAN DATE: NOVEMBER 2016	REVIEWED BY: K. NICHOLAS	PREPARED BY: J. CROSS	REVIEWED BY: K. SMITH
REVISIONS	INIT.	DATE	SIGNATURE
SCALE 0	11/15/2016	DATE	DATE