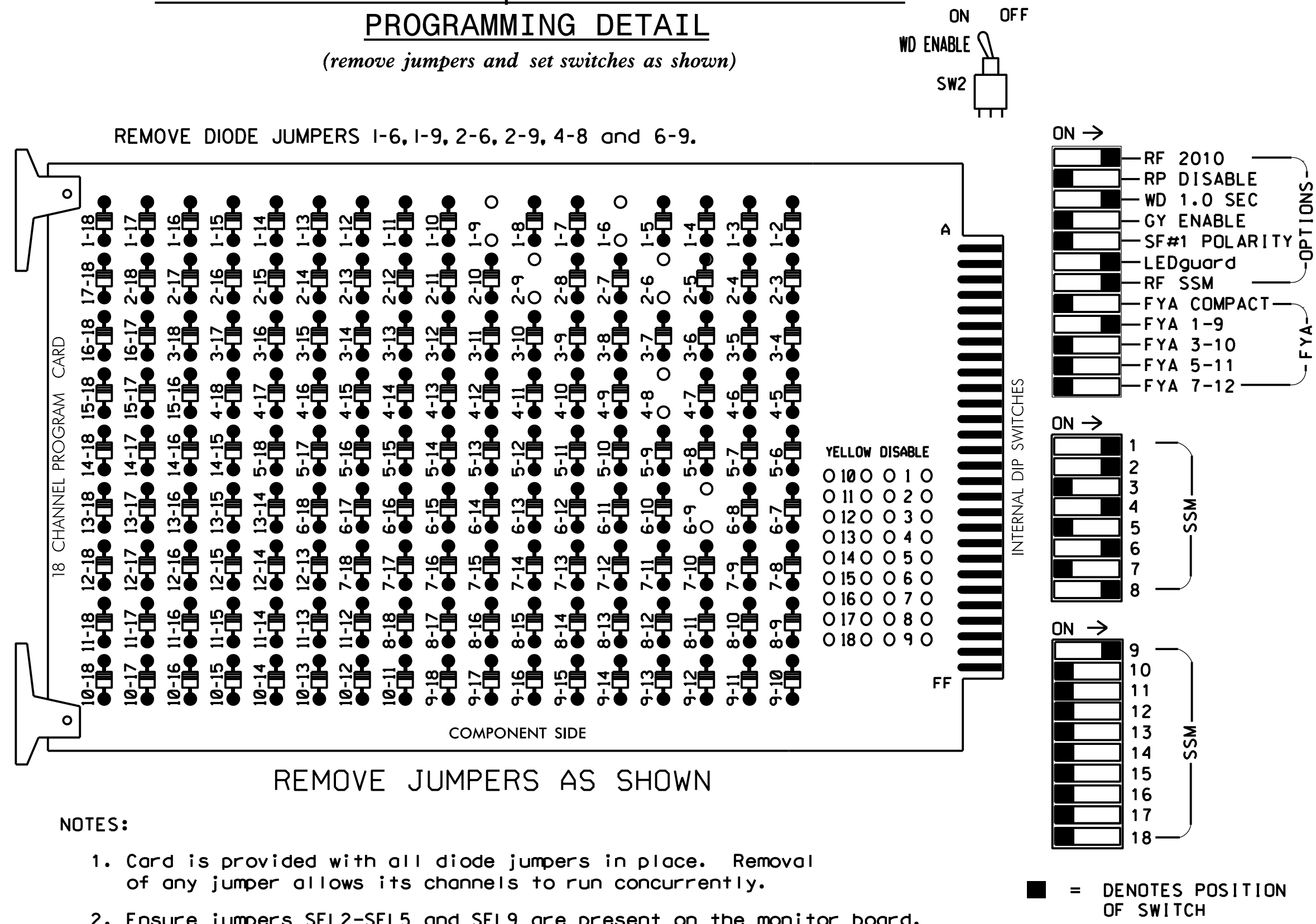


EDI MODEL 2018ECLIP-NC CONFLICT MONITOR PROGRAMMING DETAIL

(remove jumpers and set switches as shown)



NOTES

- To prevent "flash-conflict" problems, insert red flash program blocks for all unused vehicle load switches in the output file. The installer shall verify that signal heads flash in accordance with the Signal Plans.
- Program phases 4 and 8 for Dual Entry.
- Enable Simultaneous Gap-Out for all phases.
- Program phases 2 and 6 for volume density operation.
- Program controller to start up in phase 2 Green and 6 Green.
- The cabinet and controller are part of the Fayetteville Signal System.
- Program phases 2 and 6 for Yellow Flash.

EQUIPMENT INFORMATION

CONTROLLER.....2070E
 CABINET.....332 W/AUX
 SOFTWARE.....ECONOLITE ASC/3-2070
 CABINET MOUNT.....BASE
 OUTPUT FILE POSITIONS...18 WITH AUX. OUTPUT FILE
 LOAD SWITCHES USED.....S1,S2,S5,S8,S11,AUX S1
 PHASES USED.....1,2,4,6,8
 OVERLAP "A".....*
 OVERLAP "B".....NOT USED
 OVERLAP "C".....NOT USED
 OVERLAP "D".....NOT USED

* See overlap programming detail on sheet 2

SIGNAL HEAD HOOK-UP CHART

LOAD SWITCH NO.	S1	S2	S3	S4	S5	S6	S7	S8	S9	S10	S11	S12	AUX S1	AUX S2	AUX S3	AUX S4	AUX S5	AUX S6	
CNU CHANNEL NO.	1	2	13	3	4	14	5	6	15	7	8	16	9	10	17	11	12	18	
PHASE	1	2	2 PED	3	4	4 PED	5	6	6 PED	7	8	8 PED	OLA	OLB	SPARE	OLC	OLD	SPARE	
SIGNAL HEAD NO.	11	21,22,23	NU	NU	41,42	NU	NU	61,62	NU	NU	81,82	NU	11	NU	NU	NU	NU	NU	
RED	128				101			134			107								
YELLOW	*	129				102		135			108								
GREEN		130				103		136			109								
RED ARROW																		A121	
YELLOW ARROW																			A122
FLASHING YELLOW ARROW																			A123
GREEN ARROW	127																		

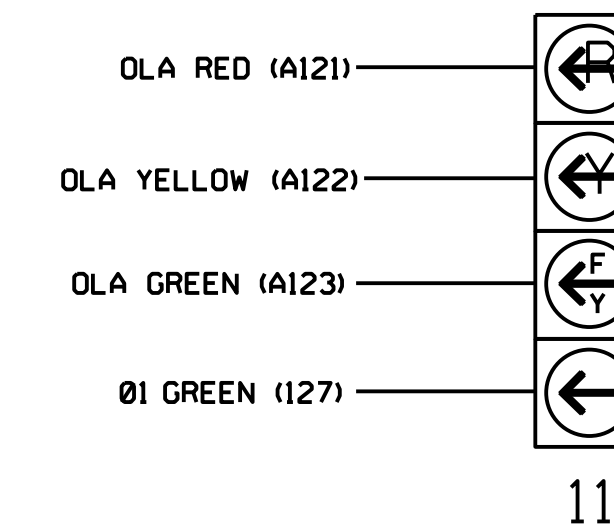
NU = Not Used

* Denotes install load resistor. See load resistor installation detail this sheet.

* See pictorial of head wiring in detail this sheet.

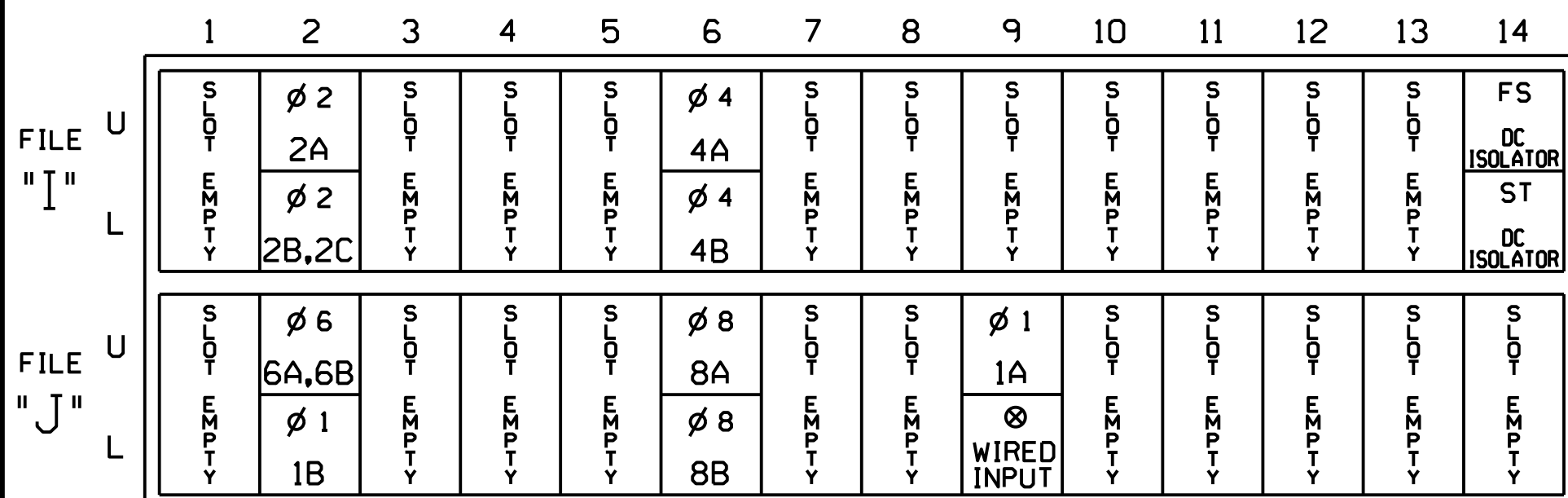
FYA SIGNAL WIRING DETAIL

(wire signal heads as shown)



INPUT FILE POSITION LAYOUT

(front view)

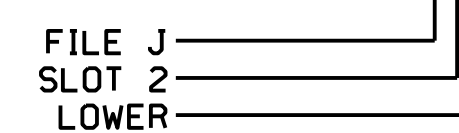


INPUT FILE CONNECTION & PROGRAMMING CHART

LOOP NO.	LOOP TERMINAL	INPUT FILE POS.	PIN NO.	DETECTOR NO.	NEMA PHASE	EXTEND TIME	DELAY TIME	DETECTOR TYPE
1A	T87-9,10	J9U	59	15	1		15	S
	-	J9L	61	17	6		3	C
2A	T82-5,6	J2U	39	2	2		3	S
2B,2C	T82-7,8	J2L	43	12	2			S
4A	T84-9,10	J6U	41	4	4			S
4B	T84-11,12	J6L	45	14	4			S
6A,6B	T83-5,6	J2U	40	6	6			S
8A	T85-9,10	J6U	42	8	8			S
8B	T85-11,12	J6L	46	18	8			S
1B	T83-7,8	J2L	44	16	1		25	S

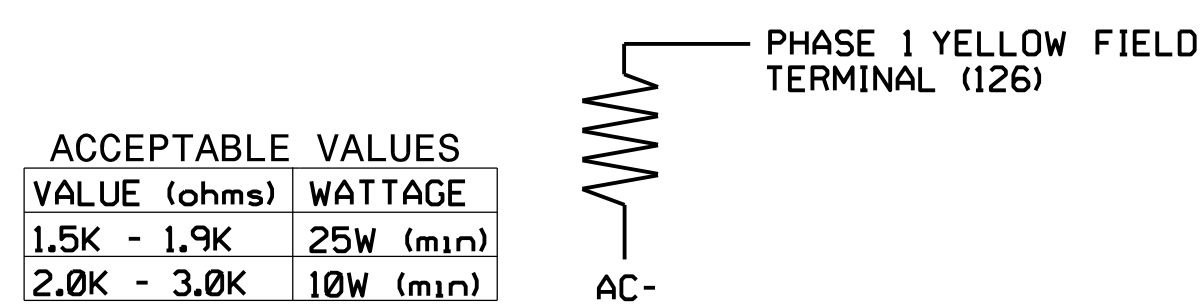
* Add jumper from J9-F to J9-W. Turn off J9L detector channel.

INPUT FILE POSITION LEGEND: J2L



LOAD RESISTOR INSTALLATION DETAIL

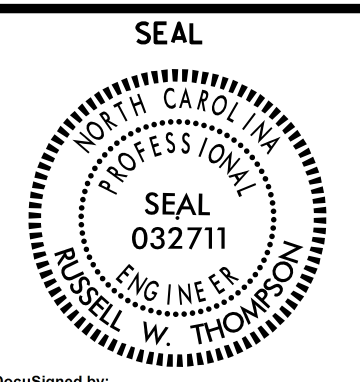
(install resistors as shown)



Electrical Detail Sheet 1 of 2

THIS ELECTRICAL DETAIL IS FOR THE SIGNAL DESIGN: C021
 DESIGNED: NOVEMBER 2016
 SEALED: 11/17/2016
 REVISED:

SYCAMORE DAIRY ROAD AT BARGAIN STREET



PLAN DATE: NOVEMBER 2016	REVIEWED BY: RWT
PREPARED BY: BLR	REVIEWED BY:
REVISIONS	INIT. DATE

DocuSigned by: Russell W. Thompson 11/21/2016

Prepared In the Offices of:
Hatch Mott MacDonald
 PO Box 700
 Fayetteville, NC 27526
 www.hatchmott.com

HATCH MOTT MACDONALD & E, LLC
 LICENSE NO. P46629

default \\NCF-DATA\Proj\360655_U-5742_Fay-Sig\Project\Sigs\Design\100\FINAL SEALED PLANS\Revised 11/22/2016\Bargain.et.Sycamore-Dairy.dgn 11/17/2016 11:59:06 AM