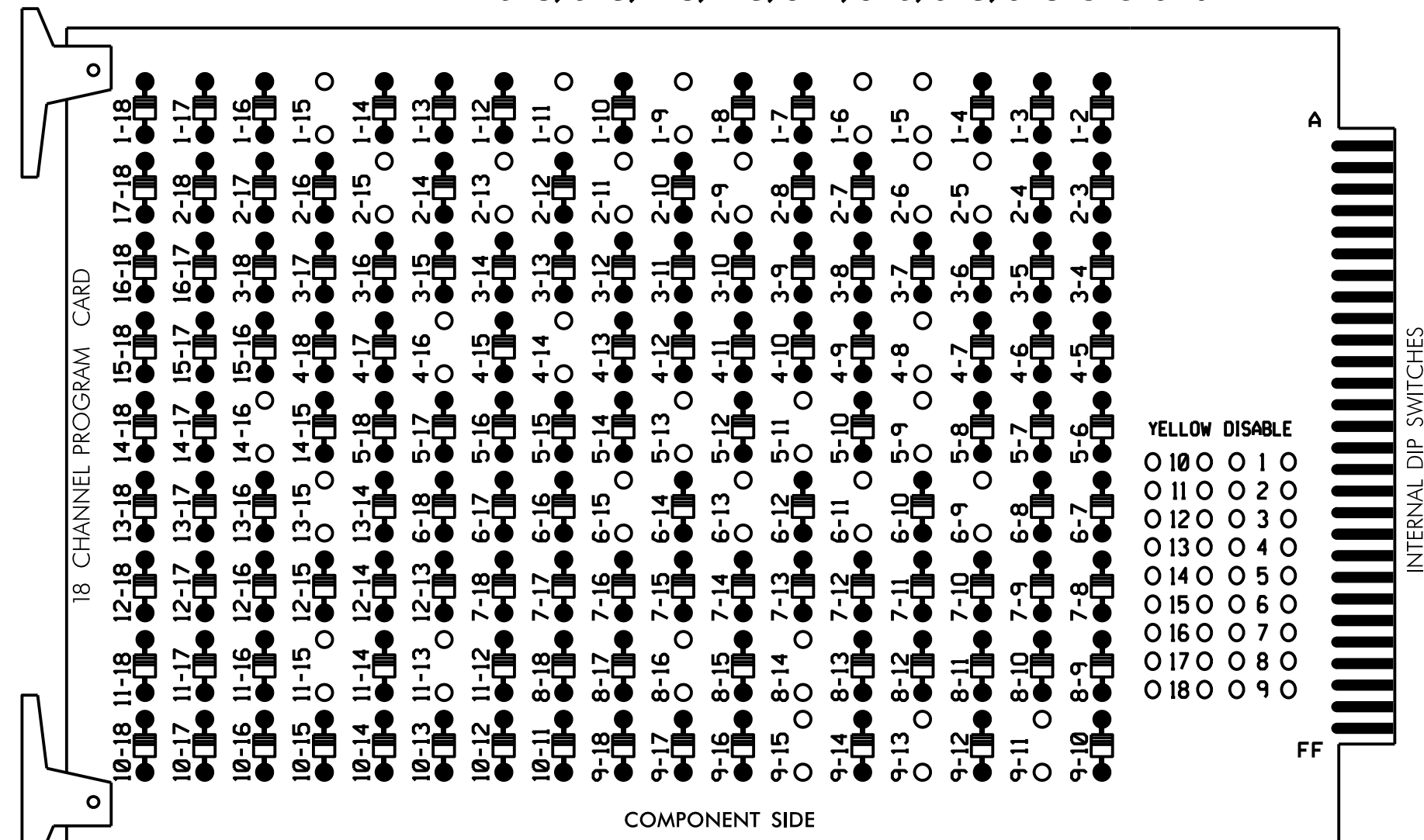


EDI MODEL 2018ECLIP-NC CONFLICT MONITOR PROGRAMMING DETAIL

(remove jumpers and set switches as shown)

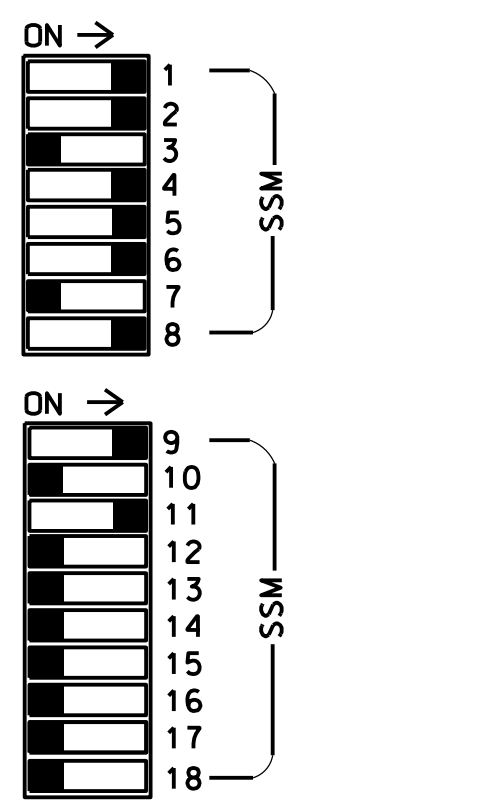
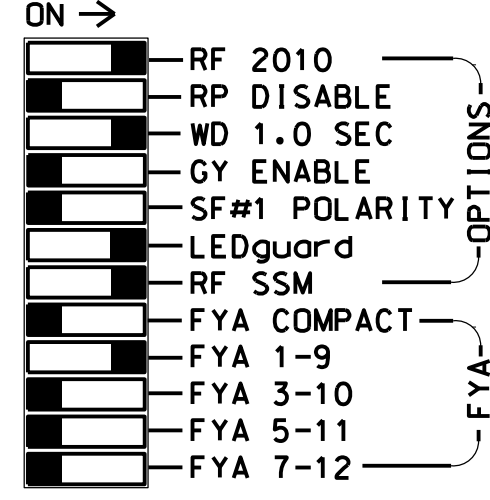
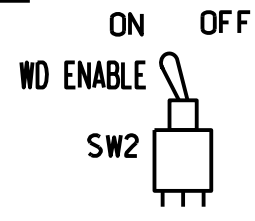
REMOVE DIODE JUMPERS 1-5, 1-6, 1-9, 1-11, 1-15, 2-5, 2-6, 2-9, 2-11, 2-13, 2-15, 14-16, 4-8, 4-14, 4-16, 13-15, 5-9, 5-11, 5-13, 6-9, 6-11, 6-13, 6-15, 11-13, 11-15, 8-14, 8-16, 9-15, 9-13 and 9-11.



REMOVE JUMPERS AS SHOWN

NOTES:

- Card is provided with all diode jumpers in place. Removal of any jumper allows its channels to run concurrently.
- Ensure jumpers SEL2-SEL5 and SEL9 are present on the monitor board.
- Ensure that Red Enable is active at all times during normal operation.
- Integrate monitor with Ethernet network in cabinet.



■ = DENOTES POSITION OF SWITCH

NOTES

- To prevent "flash-conflict" problems, insert red flash program blocks for all unused vehicle load switches in the output file. The installer shall verify that signal heads flash in accordance with the Signal Plans.
- Program phases 4 and 8 for Dual Entry.
- Enable Simultaneous Gap-Out for all phases.
- Program phases 2 and 6 for Yellow Flash.
- Program controller to start up in phase 2 Green and 6 Green.
- The cabinet and controller are part of the Fayetteville Signal System.
- Program phases 2, 4, 6 and 8 for 'STARTUP PED CALL'.

EQUIPMENT INFORMATION

CONTROLLER.....2070E
 CABINET.....332 W/AUX
 SOFTWARE.....ECONOLITE ASC/3-2070
 CABINET MOUNT.....BASE
 OUTPUT FILE POSITIONS...18 WITH AUX. OUTPUT FILE
 LOAD SWITCHES USED.....S1,S2,S3,S5,S6,S7,S8,S9,S11,S12,
 AUX S1,AUX S4
 PHASES USED.....1,2,4,5,6,8,2PED,4PED,6PED,8PED
 OVERLAP "A".....*
 OVERLAP "B".....NOT USED
 OVERLAP "C".....*
 OVERLAP "D".....NOT USED
 * See overlap programming detail on sheet 2

SIGNAL HEAD HOOK-UP CHART

LOAD SWITCH NO.	S1	S2	S3	S4	S5	S6	S7	S8	S9	S10	S11	S12	AUX S1	AUX S2	AUX S3	AUX S4	AUX S5	AUX S6
CHU CHANNEL NO.	1	2	13	3	4	14	5	6	15	7	8	16	9	10	17	11	12	18
PHASE	1	2	2 PED	3	4	4 PED	5	6	6 PED	7	8	8 PED	OLA	OLB	SPARE	OLC	OLD	SPARE
SIGNAL HEAD NO.	11*	21,22	P21, P22	NU	41,42	P41, P42	42	51*	61,62	P61, P62	NU	81,82	P81, P82	11*	NU	NU	51*	NU
RED	128				101		*		134			107						
YELLOW	*	129			102				135			108						
GREEN		130			103				136			109						
RED ARROW																A121		A114
YELLOW ARROW									132							A122		A115
FLASHING YELLOW ARROW																A123		A116
GREEN ARROW	127						133	133										
Hand icon			113			104			119			110						
Person icon			115			106			121			112						

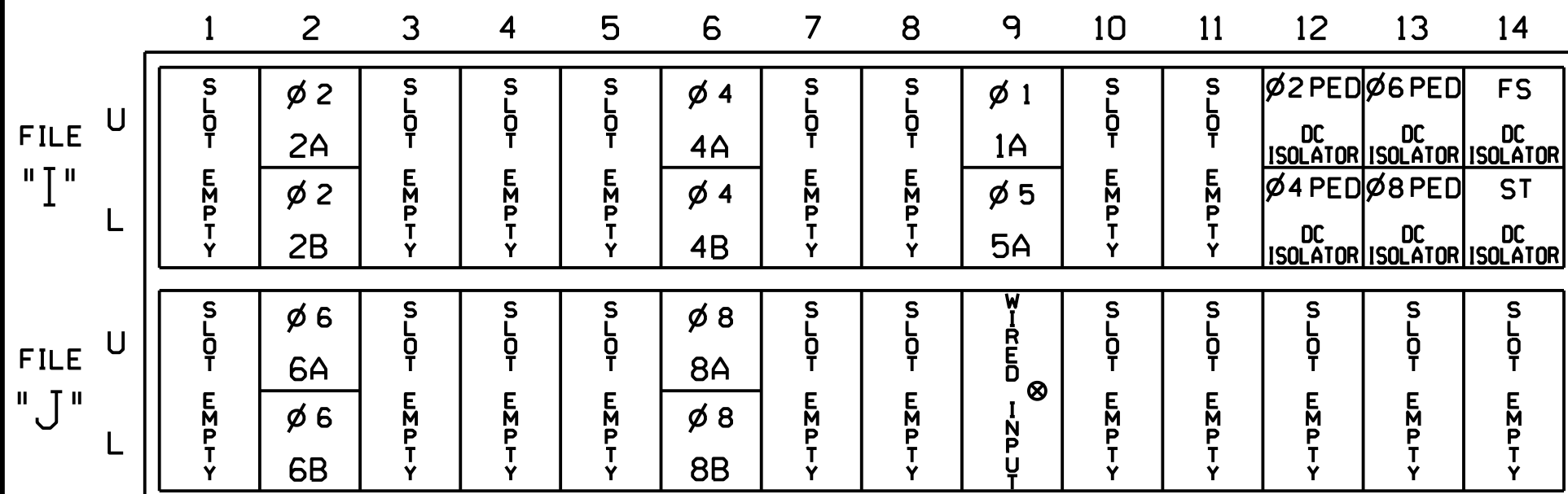
NU = Not Used

* Denotes install load resistor. See load resistor installation detail this sheet.

* See pictorial of head wiring in detail this sheet.

INPUT FILE POSITION LAYOUT

(front view)



EX.: 1A, 2A, ETC. = LOOP NO.'S

FS = FLASH SENSE
 ST = STOP TIME

⊗ Wired Input - Do not populate slot with detector card

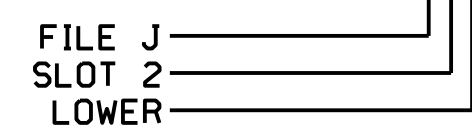
INPUT FILE CONNECTION & PROGRAMMING CHART

LOOP NO.	LOOP TERMINAL	INPUT FILE POS.	PIN NO.	DETECTOR NO.	NEMA PHASE	EXTEND TIME	DELAY TIME	DETECTOR TYPE
1A*	T86-9,10	I9U	60	11	1		15	S
	T87-9,10	J9U	59	15	6		3	C
2A	T82-5,6	I2U	39	2	2			S
2B	T82-7,8	I2L	43	12	2			S
4A	T84-9,10	I6U	41	4	4			S
4B	T84-11,12	I6L	45	14	4			S
5A*	T86-11,12	I9L	62	13	5		15	S
	T87-11,12	J9L	61	7	2		3	G
6A	T83-5,6	J2U	40	6	6			S
6B	T83-7,8	J2L	44	16	6			S
8A	T85-9,10	J6U	42	8	8		3	S
8B	T85-11,12	J6L	46	18	8			S
PED PUSH BUTTONS								
P21,P22	T88-4,6	I12U	67	PED 2	2 PED			
P41,P42	T88-5,6	I12L	69	PED 4	4 PED			
P61,P62	T88-7,9	I13U	68	PED 6	6 PED			
P81,P82	T88-8,9	I13L	70	PED 8	8 PED			

* Add jumper from I9-F to J9-F.

* Add jumper from I9-W to J9-W.

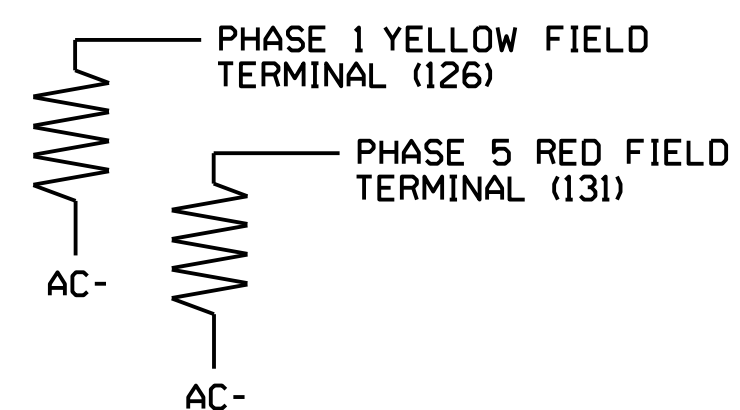
INPUT FILE POSITION LEGEND: J2L



LOAD RESISTOR INSTALLATION DETAIL

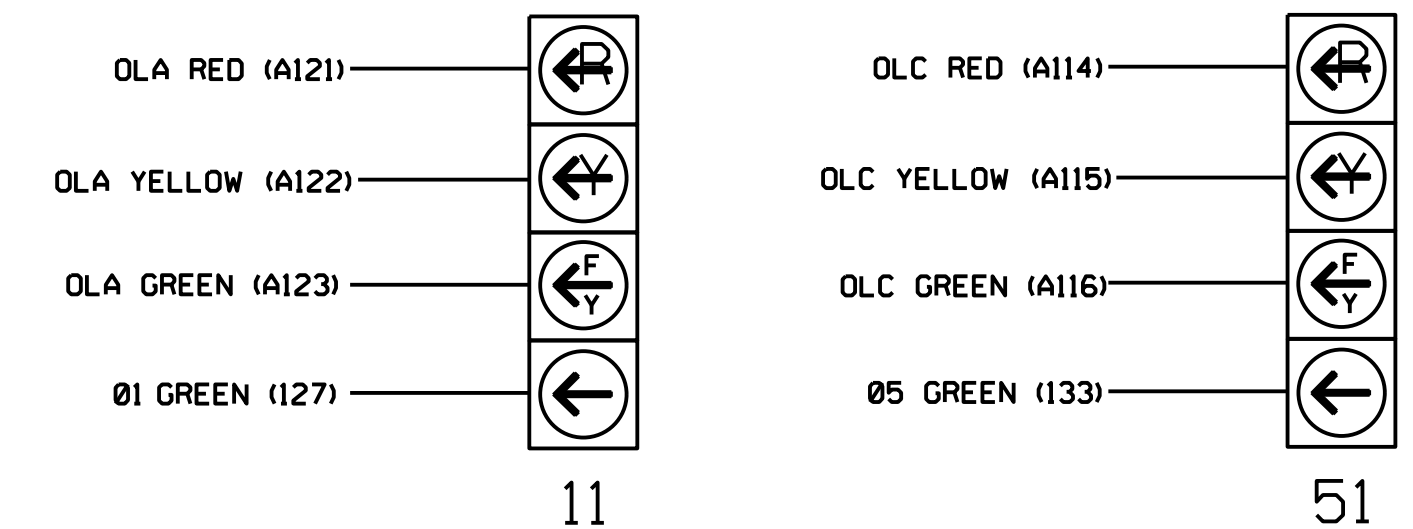
(install resistors as shown)

VALUE (ohms)	WATTAGE
1.5K - 1.9K	25W (min)
2.0K - 3.0K	10W (min)



FYA SIGNAL WIRING DETAIL

(wire signal heads as shown)



THIS ELECTRICAL DETAIL IS FOR THE SIGNAL DESIGN: C014
 DESIGNED: NOVEMBER 2016
 SEALED: 11/18/2016
 REVISED:

Electrical Detail Sheet 1 of 2

Prepared In the Offices of:

Fayetteville

McPHERSON CHURCH ROAD AT BARCELONA DRIVE

DIV 06 CUMBERLAND COUNTY FAYETTEVILLE

PLAN DATE: NOVEMBER 2016 REVIEWED BY: RWT

PREPARED BY: BLR REVIEWED BY:

REVISIONS

INIT. DATE

DocuSigned by: Russell W Thompson 11/21/2016

SEAL

NON IN CAROLINA PROFESSIONAL SEAL 032711

SIG. INVENTORY NO. C014

Prepared In the Offices of:

Hatch Mott MacDonald

PO Box 700
 Fayetteville, NC 27526
 www.hatchmott.com

HATCH MOTT MACDONALD & E, LLC
 LICENSE NO. P4663