

RAILROAD PREEMPTION WIRING DETAIL

(wire as shown below)

ECONOLITE ASC/3-2070 RAILROAD PREEMPT PROGRAMMING DETAIL

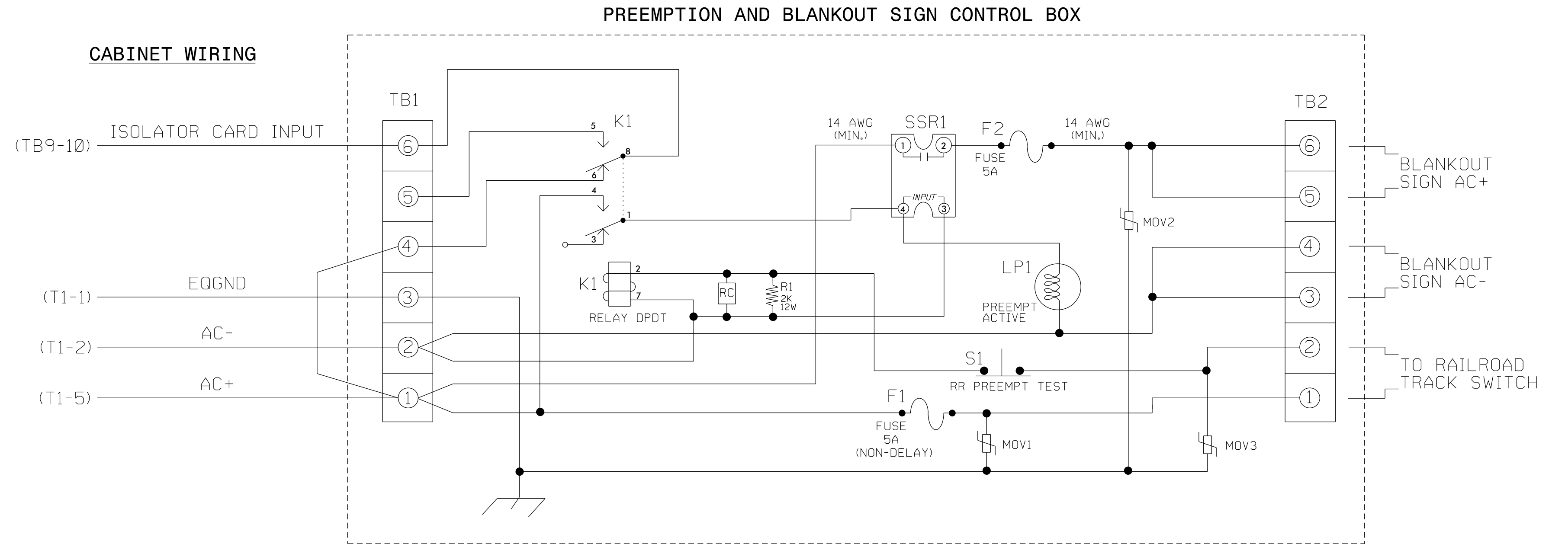
(program controller as shown)

- From Main Menu select 4. PREEMPTOR/TSP
- From PREEMPTOR/TSP/SCP Submenu select 1. PREEMPT PLAN 1-10

Place cursor in [] next to Preempt Plan and press 1. Then press the right cursor arrow and toggle the controller to YES. Next cursor down. This will select Railroad Preempt #1.

PREEMPT PLAN [1]	ENABLE....YES
VEH/PED 1 2 3 4 5 6 7 8 9 0 1 2 3 4 5 6	
OVERLAP A B C D E F G H I J K L M N O P	
TRKCLR V	
TRKCLR O	
ENA TRL	
DWEL VEH . X . . . X	
DWEL PED	
DWEL OLP	
CYC VEH	
CYC PED	
CYC OLP	
EXIT PH X X	
EXIT CAL . X X	
SP FUNC	

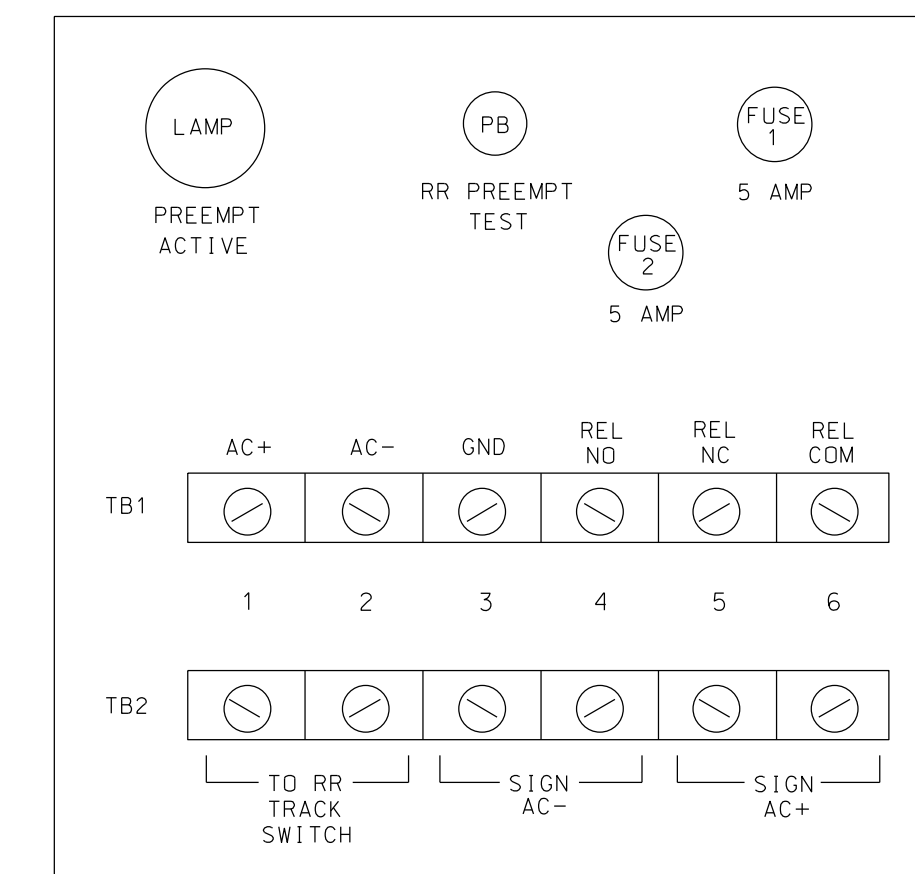
ENABLE... YES	IPMT	OVRIDE.X	INTERLOCK.	NO				
DET LOCK... X	IDELAY..	0	INHIBIT...	0				
OVERIDE FL. .	IDURATION	0	ICLR-GRN...	NO				
TERM OLP. NO	IPC>YEL	NO	TERM PH	NO				
PED DARK.. NO	ITC RESRV	YES	IDWELL FL	OFF				
LINK PMT... 0	IX FLCOLR	RED	EXIT OPT.	OFF				
X TMG PLN... 0	IRE-SERV..	0	FLT TYPE	HARD				
FREE DUR PMT	IR1 NOIR2	NOIR3	NOIR4	NO				
--TIMING----	WALKIPED	CLIMN	GRI YELI	RED				
ENTRANCE TM.	01	01	1125.5	125.5				
-----MIN	GRIEXT	GRIMX	GRI YELI	RED				
TRACK CLEAR	101	01	0125.5	125.5				
-----MIN	DLIPMTEXT	IMX	IMI YELI	RED				
DWL/CYC-EXIT	101	0.01	120125.5	125.5				
PMT ACTIVE OUT.	ON	PMT ACT	DWELL...	NO				
OTHER - PRI	PMT.OFF	NON-PRI	PMT....OFF					
INH EXT TIME...	0.0	PED PR	RETURN...	OFF				
PRIORITY RETURN.	OFF	QUEUE	DELAY....	OFF				
COND DELAY.....	OFF							
PHASES	1	2	3	4	5	6	7	8
PR RTN%	0	0	0	0	0	0	0	0
PHASES	9	10	11	12	13	14	15	16
PR RTN%	0	0	0	0	0	0	0	0



NOTES

- Relay K1 is shown in the energized (Preempt not active) normal operation state.
- Relay K1 is a DPDT with 120VAC coil with octal base.
- Relay SSR1 is a SPST (normally open) Solid State Relay with AC input and AC (25 amp) output.
- AC Isolator Card shall activate preemption upon removal of AC+ from the input (as shown above). To accomplish this set invert dip switch on AC Isolator Card.
- IMPORTANT!!** A jumper must be added between input file terminals J14-E and J14-K if not already present. Also, terminal TB9-12 (on input panel) shall be connected to AC neutral (jumper may have to be added).

FRONT VIEW



THIS ELECTRICAL DETAIL IS FOR THE SIGNAL DESIGN: C029
DESIGNED: NOVEMBER 2016
SEALED: 11/18/2016
REVISED:

DR
RTP

I:\SF\163_A\... \default

Electrical Detail Sheet 2 of 2

<p>Prepared In the Offices of:</p> <p>Hatch Mott MacDonald P.O. Box 700 Fayetteville, NC 27526 www.hatchmott.com</p>	<p>Electrical and Programming Details For:</p> <p>Winslow Street at Blount Street</p>	<p>SEAL</p>
<p>HATCH MOTT MACDONALD I & E, LLC LICENSE NO. F-4669</p>	<p>DocuSigned by: Richard T Pate 11/21/2016</p>	<p>SIG. INVENTORY NO. C029</p>