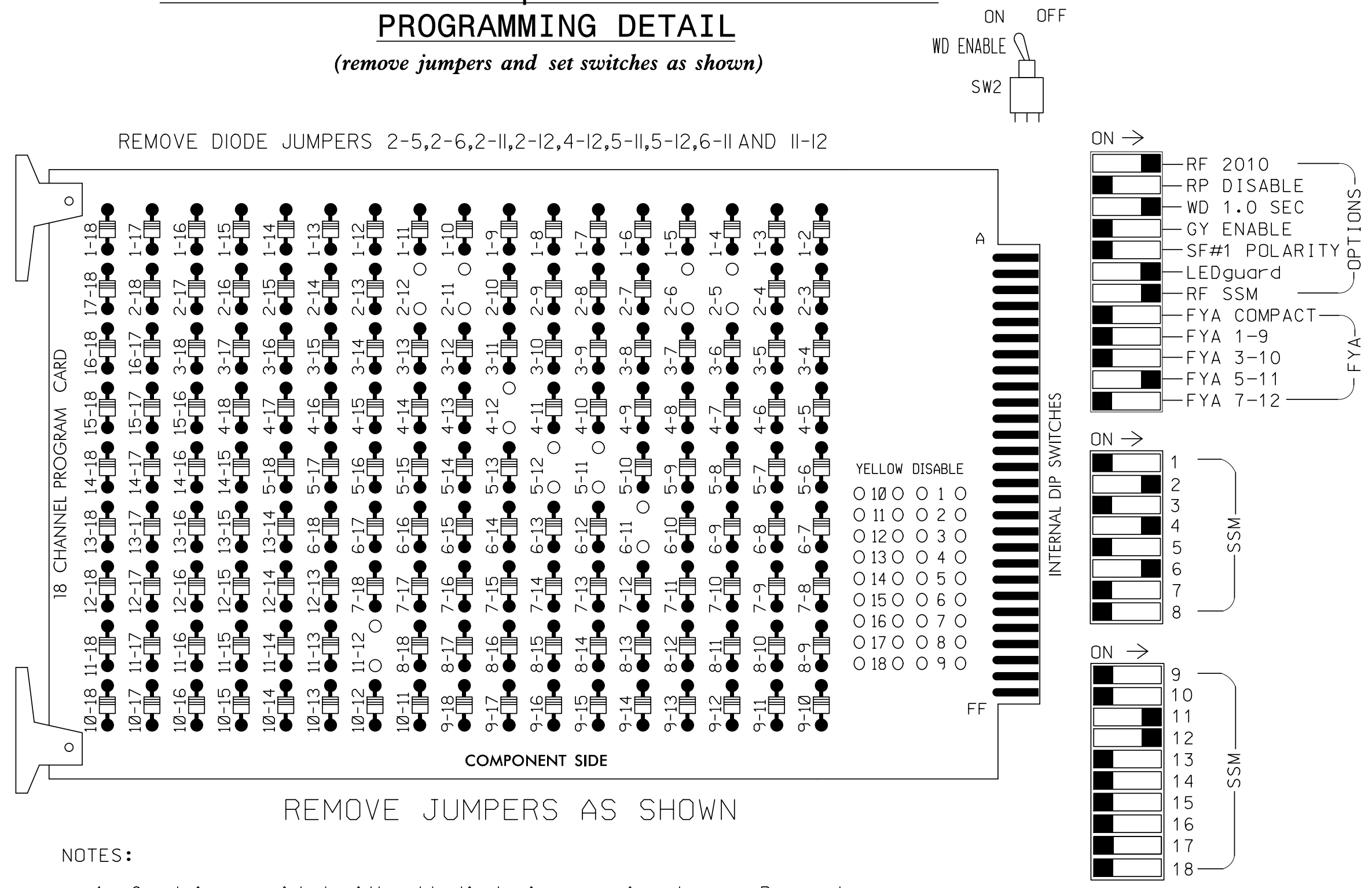


EDI MODEL 2018EClip-NC CONFLICT MONITOR PROGRAMMING DETAIL
(remove jumpers and set switches as shown)



NOTES

- To prevent "flash-conflict" problems, insert red flash program blocks for all unused vehicle load switches in the output file. The installer shall verify that signal heads flash in accordance with the Signal Plans.
- Enable Simultaneous Gap-Out for all phases.
- Program phases 2 and 6 for volume density operation.
- Program controller to start up in phase 2 Green and 6 Green.
- The cabinet and controller are part of the Fayetteville Signal System.

EQUIPMENT INFORMATION

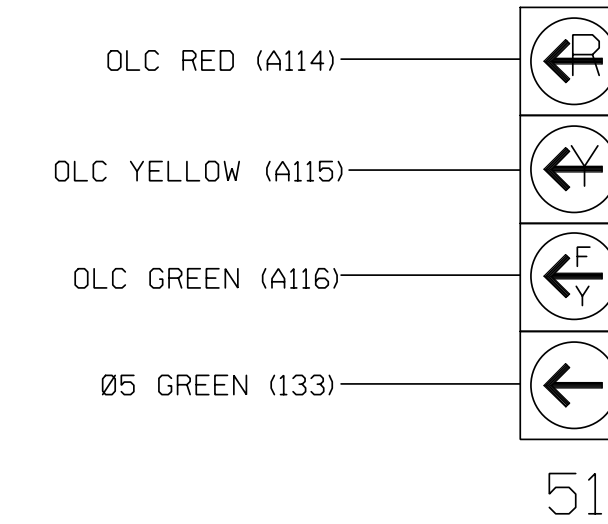
CONTROLLER.....2070E
 CABINET.....332 W/AUX
 SOFTWARE.....ECONOLITE ASC/3-2070
 CABINET MOUNT.....BASE
 OUTPUT FILE POSITIONS...18 WITH AUX. OUTPUT FILE
 LOAD SWITCHES USED.....S2,S5,S7,S8,AUX S4,AUX S5
 PHASES USED.....2,4,5,6
 OVERLAP "A".....NOT USED
 OVERLAP "B".....NOT USED
 OVERLAP "C".....*
 OVERLAP "D".....4+5
 * See overlap programming detail on sheet 2

SIGNAL HEAD HOOK-UP CHART

LOAD SWITCH NO.	S1	S2	S3	S4	S5	S6	S7	S8	S9	S10	S11	S12	AUX S1	AUX S2	AUX S3	AUX S4	AUX S5	AUX S6
CMU CHANNEL NO.	1	2	13	3	4	14	5	6	15	7	8	16	9	10	17	11	12	18
PHASE	1	2	2 PED	3	4	4 PED	5	6	6 PED	7	8	8 PED	OLA	OLB	SPARE	OLC	OLD	SPARE
SIGNAL HEAD NO.	NU	21,22	NU	NU	41	NU	51*	61,62	NU	NU	NU	NU	NU	NU	NU	51*	42,43	NU
RED		128						134									A101	
YELLOW		129					*	135										
GREEN		130						136										
RED ARROW					101												A114	
YELLOW ARROW					102												A115	A102
FLASHING YELLOW ARROW																	A116	
GREEN ARROW					103		133											A103

NU = Not Used
 * Denotes install load resistor. See load resistor installation detail this sheet.
 * See pictorial of head wiring in detail this sheet.

FYA SIGNAL WIRING DETAIL
(wire signal heads as shown)



INPUT FILE POSITION LAYOUT
(front view)

FILE	U	1	2	3	4	5	6	7	8	9	10	11	12	13	14	
"I"	U	S	∅ 2	S	∅ 4	S	∅ 4	S	∅ 4	S	∅ 4	S	∅ 4	S	∅ 4	FS
		2A	∅ 2	2B	NOT USED	∅ 4	∅ 4	∅ 4	∅ 4	∅ 4	∅ 4	∅ 4	∅ 4	∅ 4	∅ 4	DC ISOLATOR
"J"	U	∅ 5	∅ 5	∅ 6	∅ 6	S	S	S	S	S	S	S	S	S	S	FS
		5A	5B	6A	6C	S	S	S	S	S	S	S	S	S	S	DC ISOLATOR
"L"	U	NOT USED	∅ 5	∅ 6	NOT USED	S	S	S	S	S	S	S	S	S	S	FS
		5C	6B	NOT USED	S	S	S	S	S	S	S	S	S	S	S	DC ISOLATOR

EX.: 1A, 2A, ETC. = LOOP NO.'S
 FS = FLASH SENSE
 ST = STOP TIME

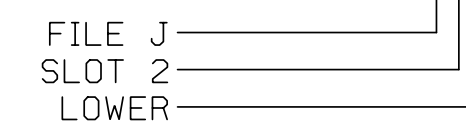
⊗ Wired Input - Do not populate slot with detector card

INPUT FILE CONNECTION & PROGRAMMING CHART

LOOP NO.	LOOP TERMINAL	INPUT FILE POS.	PIN NO.	DETECTOR NO.	NEMA PHASE	CALL	EXTEND TIME	DELAY TIME	DETECTOR TYPE
2A	TB2-5,6	I2U	39	2	2	YES			N
2B	TB2-7,8	I2L	43	12	2	YES			N
4A	TB4-9,10	I6U	41	4	4	YES			S
5A ¹	TB3-1,2	J1U	55	5	5	YES		15	S
		I4U	47	22	2	YES		3	G
5B	TB3-5,6	J2U	40	6	5	YES		15	S
5C	TB3-7,8	J2L	44	16	5	YES		15	S
6A	TB3-9,10	J3U	64	36	6	YES			N
6B	TB3-11,12	J3L	77	46	6	YES			N
6C	TB5-1,2	J4U	48	26	6	YES			N

¹Add jumper from J1-W to I4-W, on rear of input file.

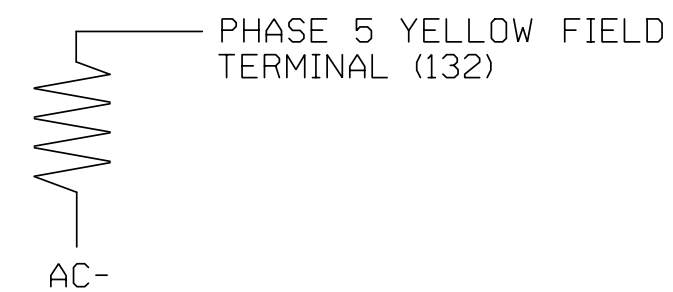
INPUT FILE POSITION LEGEND: J2L



LOAD RESISTOR INSTALLATION DETAIL
(install resistors as shown)

ACCEPTABLE VALUES

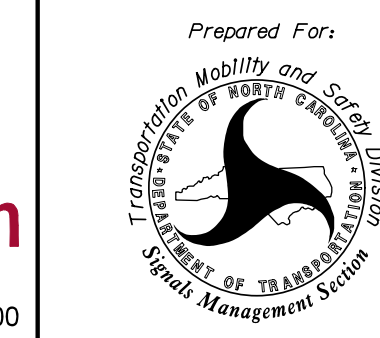
VALUE (ohms)	WATTAGE
1.5K - 1.9K	25W (min)
2.0K - 3.0K	10W (min)



Electrical Detail Sheet 1 of 2

DOCUMENT NOT CONSIDERED FINAL UNLESS ALL SIGNATURES COMPLETED

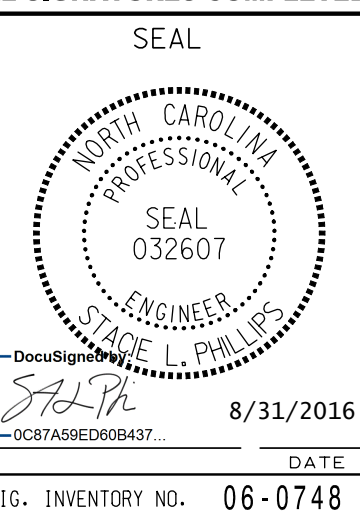
ELECTRICAL AND PROGRAMMING DETAILS FOR:



US 401 Business (Ramsey Street) at Rosehill Road

Division 6 Cumberland County Fayetteville
 PLAN DATE: June 2016 REVIEWED BY: KP Baumann
 PREPARED BY: SP Pennington REVIEWED BY: SL Phillips

REVISIONS	INIT.	DATE



750 N. Greenfield Pkwy, Garner, NC 27529

PLANS PREPARED IN THE OFFICE OF:
Kimley-Horn
 NC License #F-0102
 421 Fayetteville Street, Suite 600
 Raleigh, NC 27601
 (919) 677-2000

8/31/2016
 DATE
 SIG. INVENTORY NO. 06-0748