

ECONOLITE ASC/3-2070 EV PREEMPT PROGRAMMING DETAIL

(program controller as shown)

- From Main Menu select 4. PREEMPTOR/TSP
- From PREEMPTOR/TSP/SCP Submenu select 1. PREEMPT PLAN 1-10

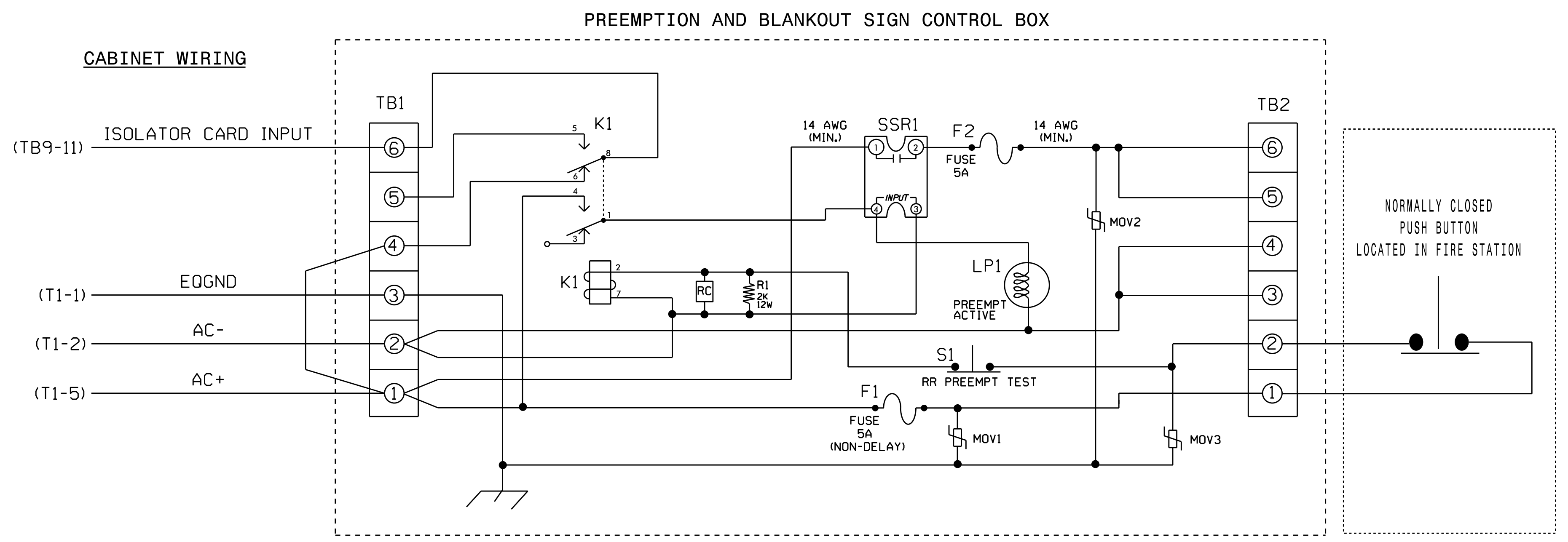
Place cursor in [] next to Preempt Plan and press 2. Then press the right cursor arrow and toggle the controller to YES. Next cursor down. This will select Preempt #2.

PREEMPT PLAN [2]	ENABLE....YES
VEH/PED 1 2 3 4 5 6 7 8 9 0 1 2 3 4 5 6	
OVERLAP A B C D E F G H I J K L M N O P	
TRKCLR V	
TRKCLR O	
ENA TRL	
DWEL VEH X	
DWEL PED	
DWEL OLP . . X . . . X X	
CYC VEH	
CYC PED	
CYC OLP	
EXIT PH . X X	
EXIT CAL	
SP FUNC	

ENABLE... YES	PMT OVRIDE.. I	INTERLOCK. NO
DET LOCK... X	IDELAY.. 0	INHIBIT... 0
OVERIDE FL. .	IDURATION 0	ICLR-GRN... NO
TERM OLP. NO	IPC>YEL YES	TERM PH NO
PED DARK.. NO	ITC RESRV YES	IDWELL FL OFF
LINK PMT... 0	IX FLCOLR RED	EXIT OPT. OFF
X TMG PLN... 0	IRE-SERV.. 0	IFLT TYPE.HARD
FREE DUR PMT	R1 NOIR2 NOIR3 NOIR4 NO	
--TIMING----	WALKIPED CLIMN GRI YELI RED	
ENTRANCE TM. 11 61 1125.5125.5		
-----MIN GRIEXT GRIMX GRI YELI RED		
TRACK CLEAR 01 01 0125.5125.5		
-----MIN DLIPMTEXTIMX TMI YELI RED		
DWL/CYC-EXIT 201 0.01 01 4.11 1.8		
PMT ACTIVE OUT..ON PMT ACT DWELL...NO		
OTHER - PRI PMT.OFF NON-PRI PMT....OFF		
INH EXT TIME... 0.0 PED PR RETURN...OFF		
PRIORITY RETURN.OFF QUEUE DELAY.... OFF		
COND DELAY.....OFF		
PHASES 1 2 3 4 5 6 7 8		
PR RTN% 0 0 0 0 0 0 0 0		
PHASES 9 10 11 12 13 14 15 16		
PR RTN% 0 0 0 0 0 0 0 0		

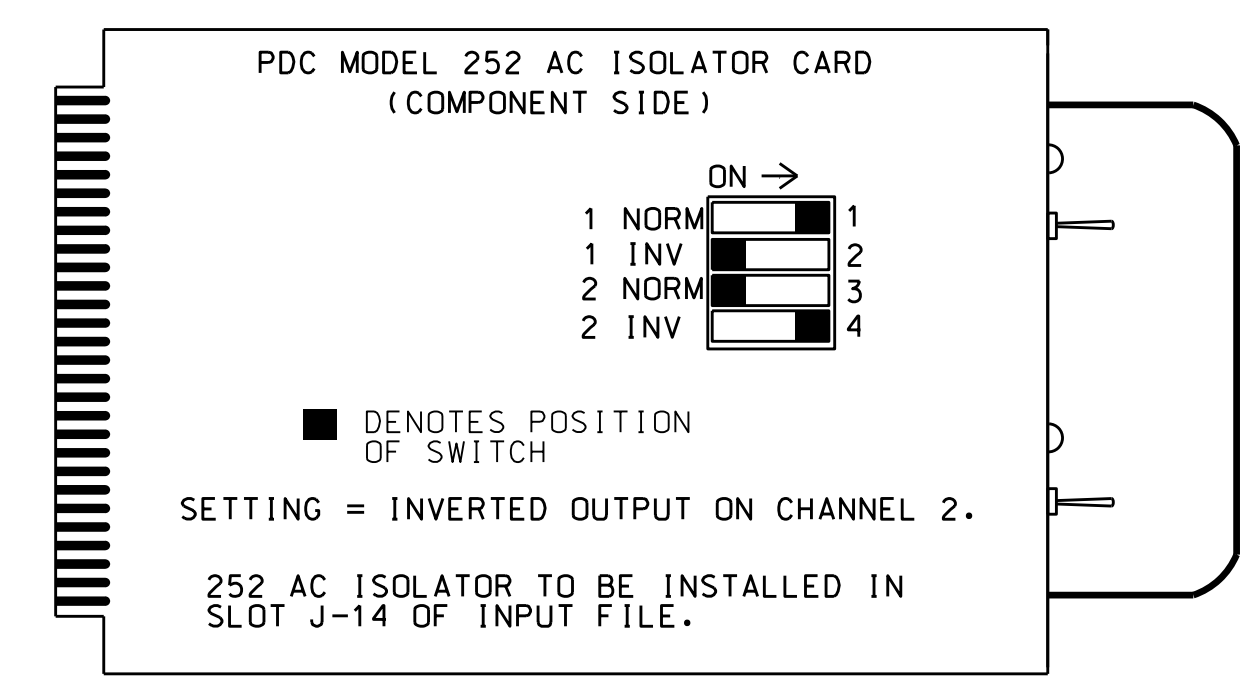
EV Preemption 2 Control Box Wiring Detail

(wire as shown below)



PREEMPT 2 AC ISOLATOR (MODEL 252) OUTPUT PROGRAMMING DETAIL

(set DIP switches as shown below)

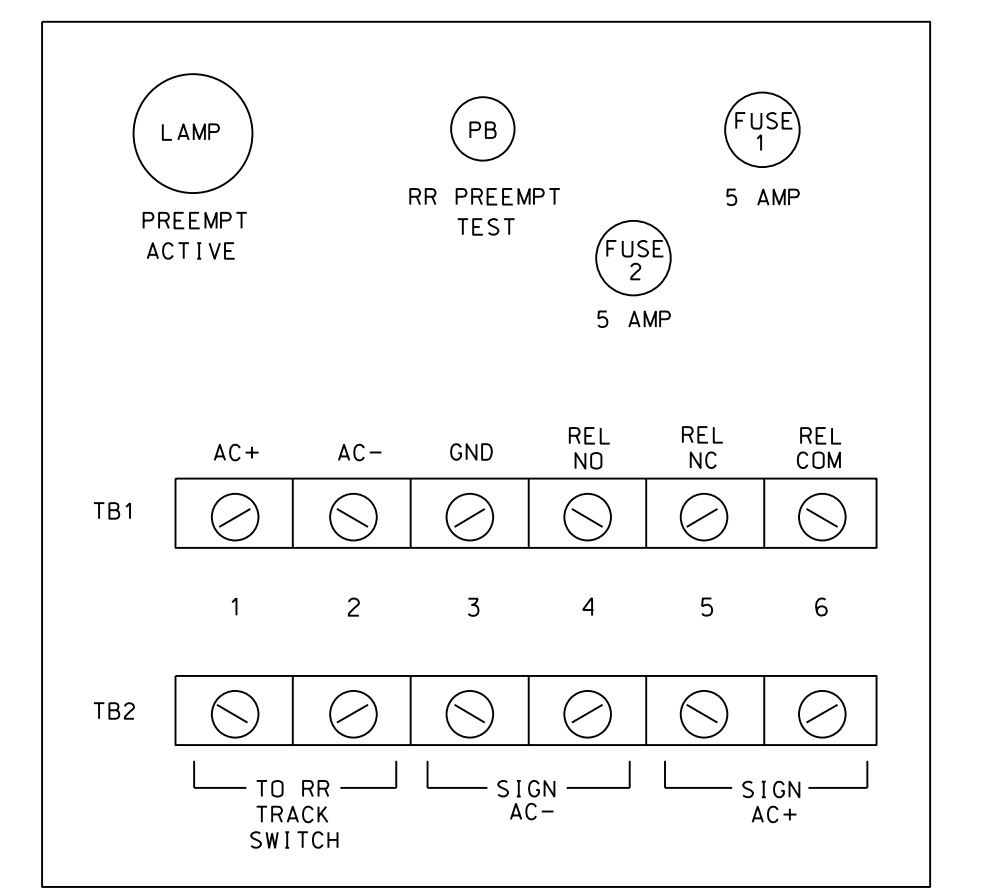


NOTE: IF ANOTHER MANUFACTURER TYPE OF AC ISOLATOR IS USED, OUTPUT PROGRAMMING IS LIKELY NOT TO EQUATE TO THAT SHOWN ABOVE.

NOTES

- Relay K1 is shown in the energized (Preempt not active) normal operation state.
- Relay 'K1' is an enclosed DPDT general purpose relay with a 120VAC coil, 10A contacts, and octal-style plug.
- Relay SSR1 is a SPST (normally open) Solid State Relay with AC input and AC (25 amp) output.
- AC Isolator Card shall activate preemption upon removal of AC+ from the input (as shown above). To accomplish this, set invert dip switch on AC Isolator Card.
- IMPORTANT!!** Terminal TB9-12 (on input panel) shall be connected to AC neutral (jumper may have to be added).

FRONT VIEW



THIS ELECTRICAL DETAIL IS FOR THE SIGNAL DESIGN: 06-0453
 DESIGNED: March 2016
 SEALED: 10-19-16
 REVISED: N/A

Electrical Detail Sheet 3 of 3

ELECTRICAL AND PROGRAMMING DETAILS FOR: Prepared In the Offices of: 750 N. Greenfield Pkwy, Garner, NC 27529	SR 1408 (Bonanza Drive) at SR 1437/SR 2750 (Santa Fe Drive)	SEAL Keith M. Mins 10/21/2016
	Division 6 Cumberland County Fayetteville PLAN DATE: October 2016 REVIEWED BY: PREPARED BY: James Peterson REVIEWED BY:	

24-007-2016 11:18
 S:\IT\ASIS\15 Signal\work\groups\sig_maint\peterson\060453_smc.ele_xxx.dgn
 J.peterson