

ECONOLITE ASC/3-2070 RAILROAD PREEMPT PROGRAMMING DETAIL

(program controller as shown)

- From Main Menu select 4. PREEMPTOR/TSP
- From PREEMPTOR/TSP/SCP Submenu select 1. PREEMPT PLAN 1-10

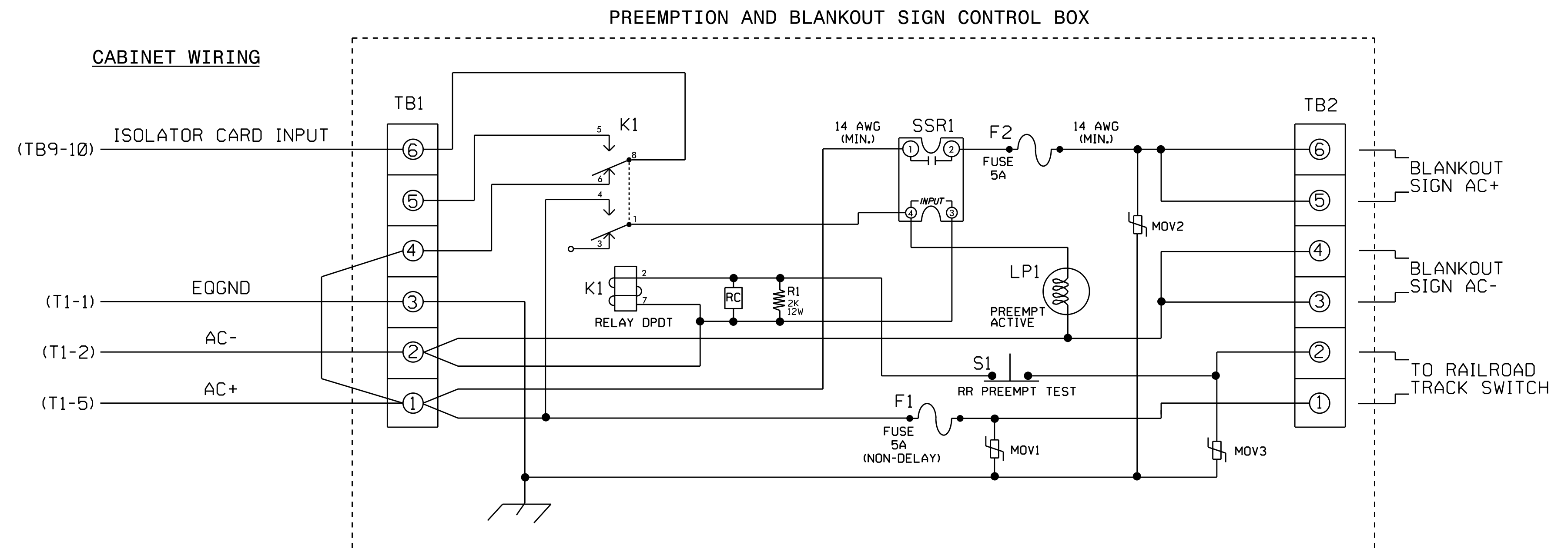
Place cursor in [] next to Preempt Plan and press 1. Then press the right cursor arrow and toggle the controller to YES. Next cursor down. This will select Railroad Preempt #1.

PREEMPT PLAN [1]	ENABLE....YES
VEH/PED 1 2 3 4 5 6 7 8 9 0 1 2 3 4 5 6	
OVERLAP A B C D E F G H I J K L M N O P	
TRKCLR V . X	
TRKCLR O	
ENA TRL	
DWEL VEH	
DWEL PED	
DWEL OLP	
CYC VEH X . . X	
CYC PED	
CYC OLP	
EXIT PH . X . . . X	
EXIT CAL	
SP FUNC	

ENABLE... YES	IPMT OVRIDE	XIINTERLOCK	NO
DET LOCK... X	IDELAY..	OINHIBIT...	0
OVERIDE FL. .	IDURATION	OICLR-GRN...	NO
TERM OLP	ASAPIPC>YEL	NOITERM PH	NO
PED DARK..	NOITC RESRV	YESIDWELL FL	OFF
LINK PMT....	OIX FLCOLR	REDIEXIT OPT.	OFF
X TMG PLN...O	IRE-SERV..	OIFLT TYPE	HARD
FREE DUR	PMTIR1 NOIR2	NOIR3 NOIR4	NO
--TIMING----	WALKIPED	CLIMN GRI	YELI RED
ENTRANCE TM.	2551 2551	1125.5125.5	
-----MIN	GRIEXT GRIMX	GRI YELI RED	
TRACK CLEAR	381 01	0125.5125.5	
-----MIN	DLIPMTEXTIMX	TMI YELI RED	
DWL/CYC-EXIT	71 0.01	0125.5125.5	
PMT ACTIVE OUT..	ON PMT ACT	DWELL...NO	
OTHER - PRI	PMT.OFF	NON-PRI	PMT....OFF
INH EXT TIME...	0.0	PED PR RETURN...	OFF
PRIORITY RETURN	.OFF	QUEUE DELAY...	OFF
COND DELAY.....	OFF		
PHASES	1 2 3 4 5 6 7 8		
PR RTN%	0 0 0 0 0 0 0 0		
PHASES	9 10 11 12 13 14 15 16		
PR RTN%	0 0 0 0 0 0 0 0		

RAILROAD PREEMPTION WIRING DETAIL

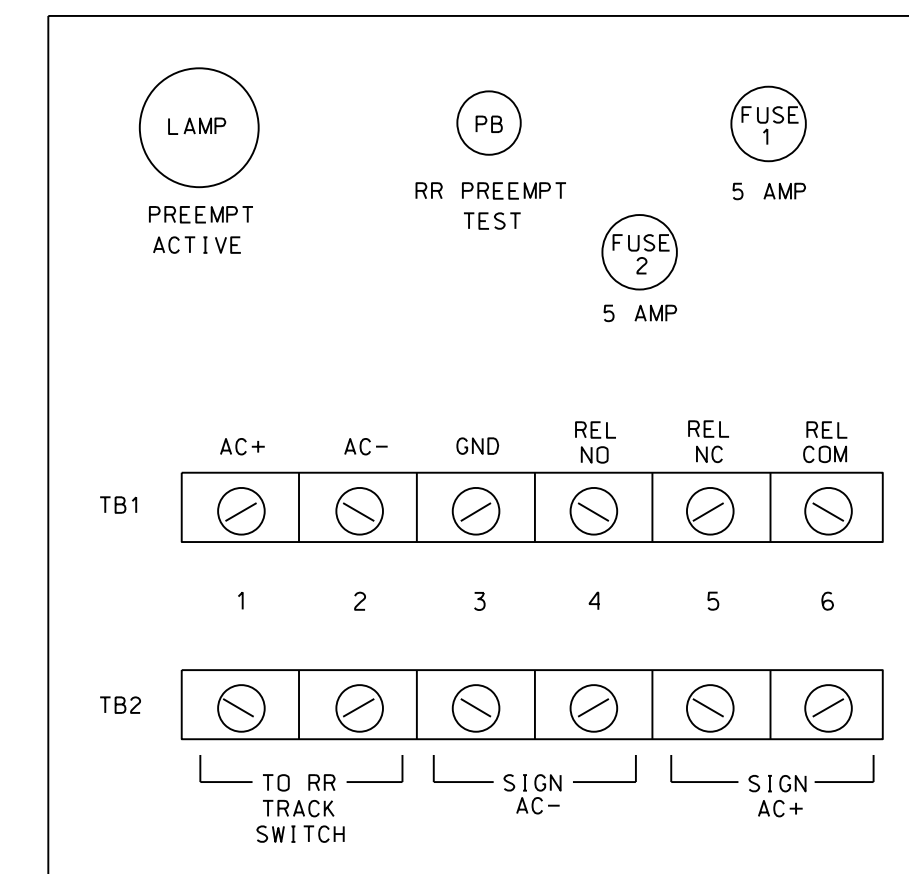
(wire as shown below)



NOTES

- Relay K1 is shown in the energized (Preempt not active) normal operation state.
- Relay K1 is a DPDT with 120VAC coil with octal base.
- Relay SSR1 is a SPST (normally open) Solid State Relay with AC input and AC (25 amp) output.
- AC Isolator Card shall activate preemption upon removal of AC+ from the input (as shown above). To accomplish this set invert dip switch on AC Isolator Card. See sheet 2 for details.
- IMPORTANT!!** A jumper must be added between input file terminals J14-E and J14-K if not already present. Also, terminal TB9-12 (on input panel) shall be connected to AC neutral (jumper may have to be added).

FRONT VIEW



THIS ELECTRICAL DETAIL IS FOR THE SIGNAL DESIGN: 06-0293
 DESIGNED: May 2016
 SEALED: 9/19/2016
 REVISED: N/A

Electrical Detail - Sheet 3 of 3

DOCUMENT NOT CONSIDERED FINAL UNLESS ALL SIGNATURES COMPLETED

ELECTRICAL AND PROGRAMMING DETAILS FOR: Prepared In the Offices of: 750 N. Greenfield Pkwy, Garner, NC 27529	Honeycutt Road at NC 210 (Murchison Road) SB Ramps		SEAL Keith M. Mims ENGINEER DATE: 9/22/2016
	Division 6 PLAN DATE: September 2016 PREPARED BY: S. Armstrong	Cumberland County REVIEWED BY: BAS REVIEWED BY:	

09-SEP-2016 11:59
 C:\WITS\AS\WITS\SIGNAL\work\honeycutt\sig_murchison\stron060293_sml.ele.xxx.dgn
 sarmstrong