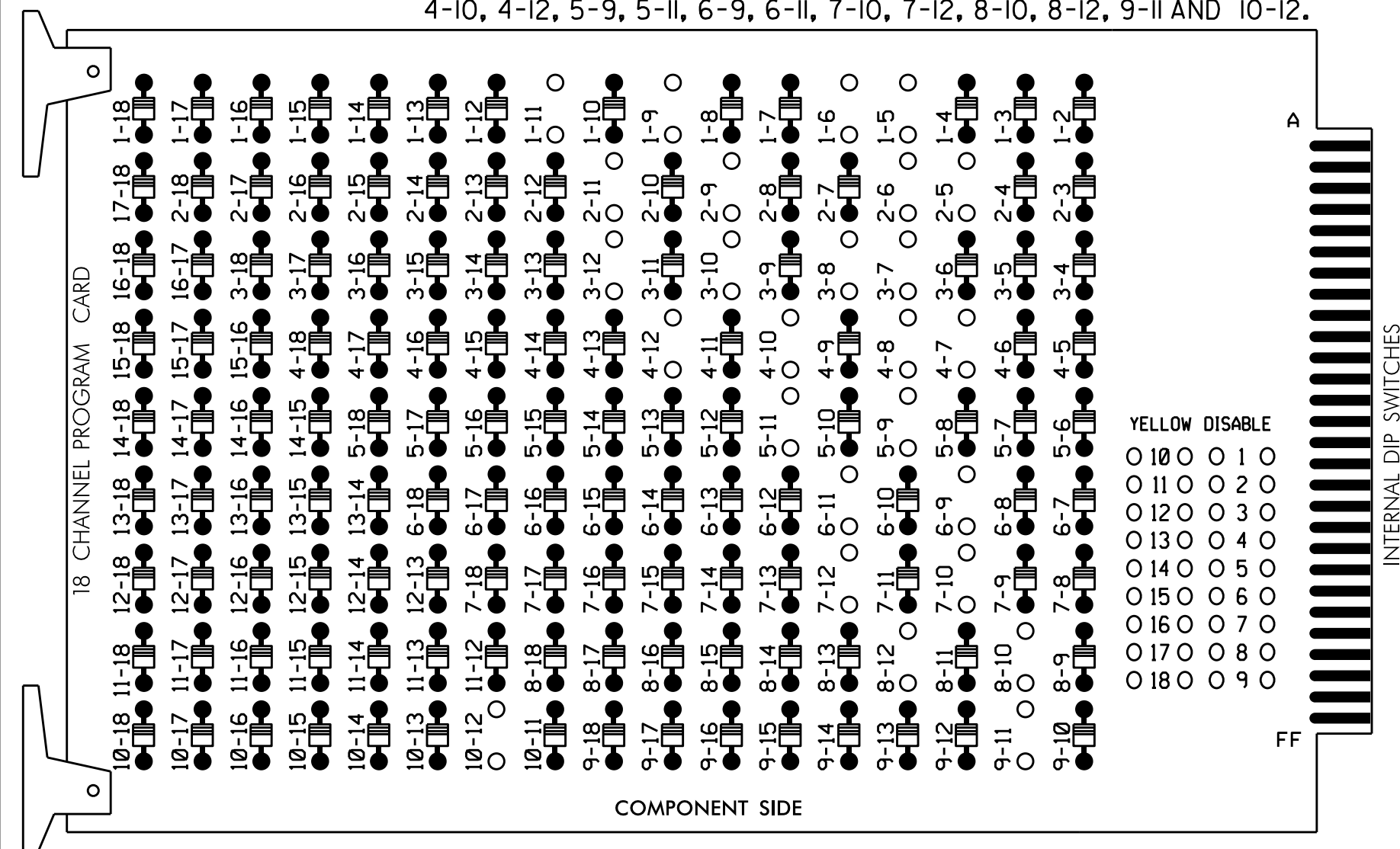


EDI MODEL 2018ECLIP-NC CONFLICT MONITOR PROGRAMMING DETAIL

(remove jumpers and set switches as shown)

REMOVE DIODE JUMPERS 1-5, 1-6, 1-9, 1-11, 2-5, 2-6, 2-9, 2-11, 3-7, 3-8, 3-10, 3-12, 4-7, 4-8, 4-10, 4-12, 5-9, 5-11, 6-9, 6-11, 7-10, 7-12, 8-10, 8-12, 9-11 AND 10-12.



REMOVE JUMPERS AS SHOWN

NOTES:

- Card is provided with all diode jumpers in place. Removal of any jumper allows its channels to run concurrently.
- Ensure jumpers SEL2-SEL5 and SEL9 are present on the monitor board.
- Ensure that Red Enable is active at all times during normal operation.
- Integrate monitor with Ethernet network in cabinet.

■ = DENOTES POSITION OF SWITCH

NOTES

- To prevent "flash-conflict" problems, insert red flash program blocks for all unused vehicle load switches in the output file. The installer shall verify that signal heads flash in accordance with the Signal Plans.
- Program phases 4 and 8 for Dual Entry.
- Enable Simultaneous Gap-Out for all phases.
- Program controller to start up in phase 2 Green and 6 Green.
- The cabinet and controller are part of the Fayetteville Signal System.

EQUIPMENT INFORMATION

CONTROLLER.....2070E
 CABINET.....332 W/AUX
 SOFTWARE.....ECONOLITE ASC/3-2070
 CABINET MOUNT.....BASE
 OUTPUT FILE POSITIONS...18 WITH AUX. OUTPUT FILE
 LOAD SWITCHES USED.....S1,S2,S4,S5,S7,S8,S10,S11,AUX S1,
 AUX S2,AUX S4,AUX S5
 PHASES USED.....1,2,3,4,5,6,7,8
 OVERLAP "A".....*
 OVERLAP "B".....*
 OVERLAP "C".....*
 OVERLAP "D".....*
 * See overlap programming detail on sheet 2

SIGNAL HEAD HOOK-UP CHART

| LOAD SWITCH NO. | S1 | S2 | S3 | S4 | S5 | S6 | S7 | S8 | S9 | S10 | S11 | S12 | AUX S1 | AUX S2 | AUX S3 | AUX S4 | AUX S5 | AUX S6 |
|-----------------------|-----|-------|-------|----|-------|-------|-----|-----|-------|-----|-----|-------|--------|--------|--------|--------|--------|--------|
| CMU CHANNEL NO. | 1 | 2 | 13 | 3 | 4 | 14 | 5 | 6 | 15 | 7 | 8 | 16 | 9 | 10 | 17 | 11 | 12 | 18 |
| PHASE | 1 | 2 | 2 PED | 3 | 4 | 4 PED | 5 | 6 | 6 PED | 7 | 8 | 8 PED | OLA | OLB | SPARE | OLC | OLD | SPARE |
| SIGNAL HEAD NO. | 11 | 21,22 | NU | 31 | 41,42 | NU | 42 | 51 | 61,62 | NU | 71 | 81,82 | NU | 11 | 31 | NU | 51 | 71 |
| RED | | 128 | | | 101 | | | * | 134 | | | 107 | | | | | | |
| YELLOW | * | 129 | | * | 102 | | | | 135 | | * | 108 | | | | | | |
| GREEN | | 130 | | | 103 | | | | 136 | | | 109 | | | | | | |
| RED ARROW | | | | | | | | | | | | | A121 | A124 | | A114 | A101 | |
| YELLOW ARROW | | | | | | | 132 | | | | | | A122 | A125 | | A115 | A102 | |
| FLASHING YELLOW ARROW | | | | | | | | | | | | | A123 | A126 | | A116 | A103 | |
| GREEN ARROW | 127 | | | | 118 | | | 133 | 133 | | 124 | | | | | | | |

NU = Not Used

* Denotes install load resistor. See load resistor installation detail this sheet.

* See pictorial of head wiring in detail this sheet.

INPUT FILE POSITION LAYOUT

(front view)

| FILE "I" U | 1 | 2 | 3 | 4 | 5 | 6 | 7 | 8 | 9 | 10 | 11 | 12 | 13 | 14 |
|------------|-----|----------|----------|----------|----------|----------|----------|----------|----------|----------|----------|----------|----------|-------------|
| ∅ 1 | ∅ 2 | ∅ 3 | ∅ 4 | ∅ 5 | ∅ 6 | ∅ 7 | ∅ 8 | ∅ 9 | ∅ 10 | ∅ 11 | ∅ 12 | ∅ 13 | ∅ 14 | FS |
| 1A | 2A | 3A | 4A | 5A | 6A | 7A | 8A | 9A | 10A | 11A | 12A | 13A | 14A | DC ISOLATOR |
| NOT USED | 2B | 3B | 4B | 5B | 6B | 7B | 8B | 9B | 10B | 11B | 12B | 13B | 14B | ST |
| FILE "J" U | ∅ 5 | ∅ 6 | ∅ 6 | ∅ 7 | ∅ 8 | ∅ 9 | ∅ 10 | ∅ 11 | ∅ 12 | ∅ 13 | ∅ 14 | ∅ 15 | ∅ 16 | PRE1 |
| 5A | 6A | 6C | 7A | 8A | 9A | 10A | 11A | 12A | 13A | 14A | 15A | 16A | 17A | AC ISOLATOR |
| NOT USED | 6B | NOT USED | NOT USED | NOT USED | NOT USED | NOT USED | NOT USED | NOT USED | NOT USED | NOT USED | NOT USED | NOT USED | NOT USED | NOT USED |

EX.: 1A, 2A, ETC. = LOOP NO.'S

FS = FLASH SENSE
 ST = STOP TIME
 PRE = PREEMPT

⊗ Wired Input - Do not populate slot with detector card

INPUT FILE CONNECTION & PROGRAMMING CHART

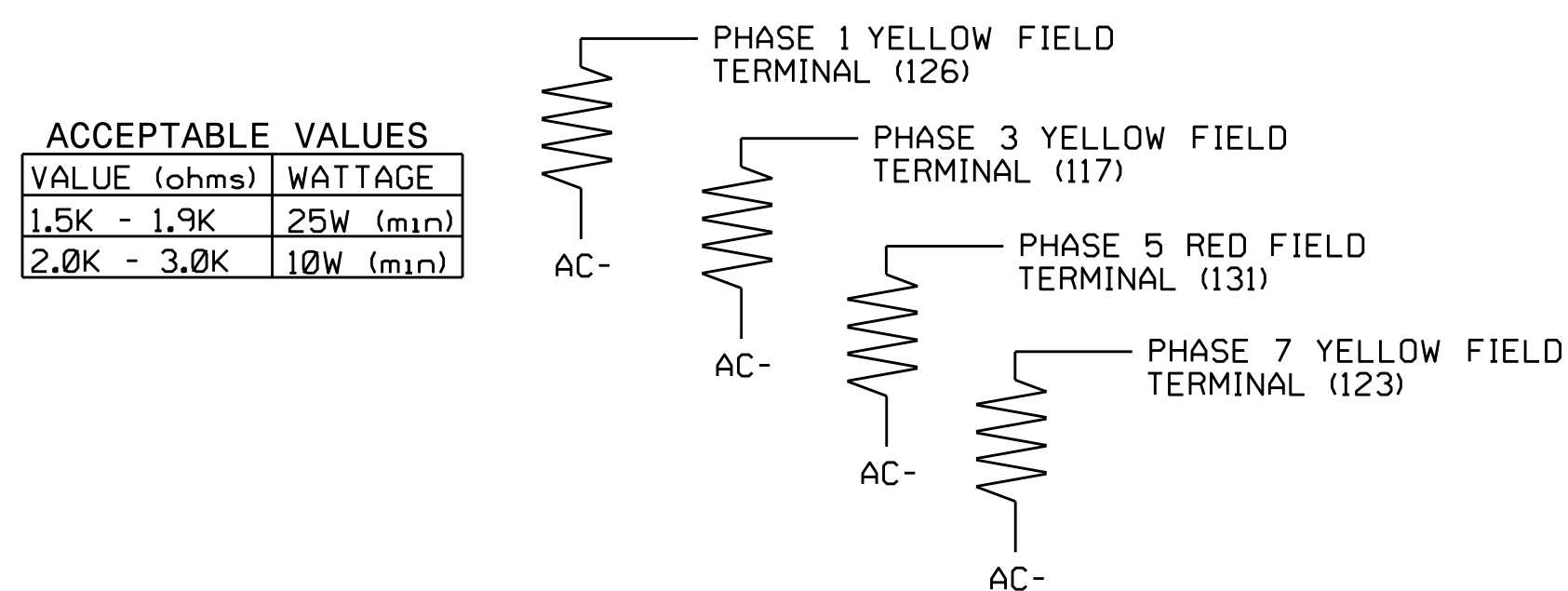
| LOOP NO. | LOOP TERMINAL | INPUT FILE POS. | PIN NO. | DETECTOR NO. | NEMA PHASE | CALL | EXTEND TIME | DELAY TIME | DETECTOR TYPE |
|-----------------|---------------|-----------------|---------|--------------|------------|------|-------------|------------|---------------|
| 1A ¹ | TB2-1,2 | I1U | 56 | 1 | 1 | YES | | 15 | S |
| | - | J4U | 48 | 26 | 6 | YES | | | S |
| 2A | TB2-5,6 | I2U | 39 | 2 | 2 | YES | | | S |
| | TB2-7,8 | I2L | 43 | 12 | 2 | YES | | | S |
| 3A ² | TB4-5,6 | I5U | 58 | 3 | 3 | YES | | 15 | S |
| | - | J8U | 50 | 28 | 8 | YES | | 3 | S |
| 4A | TB4-9,10 | I6U | 41 | 4 | 4 | YES | | | S |
| | TB4-11,12 | I6L | 45 | 14 | 4 | YES | | | S |
| 5A ³ | TB3-1,2 | J1U | 55 | 5 | 5 | YES | | 15 | S |
| | - | I4U | 47 | 22 | 2 | YES | | | S |
| 6A | TB3-5,6 | J2U | 40 | 6 | 6 | YES | | | S |
| | TB3-7,8 | J2L | 44 | 16 | 6 | YES | | | S |
| 6C | TB3-9,10 | J3U | 64 | 36 | 6 | YES | | | S |
| | TB5-5,6 | J5U | 57 | 7 | 7 | YES | | 15 | S |
| 7A ⁴ | - | I8U | 49 | 24 | 4 | YES | | 3 | S |
| | TB5-9,10 | J6U | 42 | 8 | 8 | YES | | | S |

- Add jumper from I1-W to J4-W, on rear of input file.
- Add jumper from I5-W to J8-W, on rear of input file.
- Add jumper from J1-W to I4-W, on rear of input file.
- Add jumper from J5-W to I8-W, on rear of input file.

INPUT FILE POSITION LEGEND: J2L
 FILE J
 SLOT 2
 LOWER

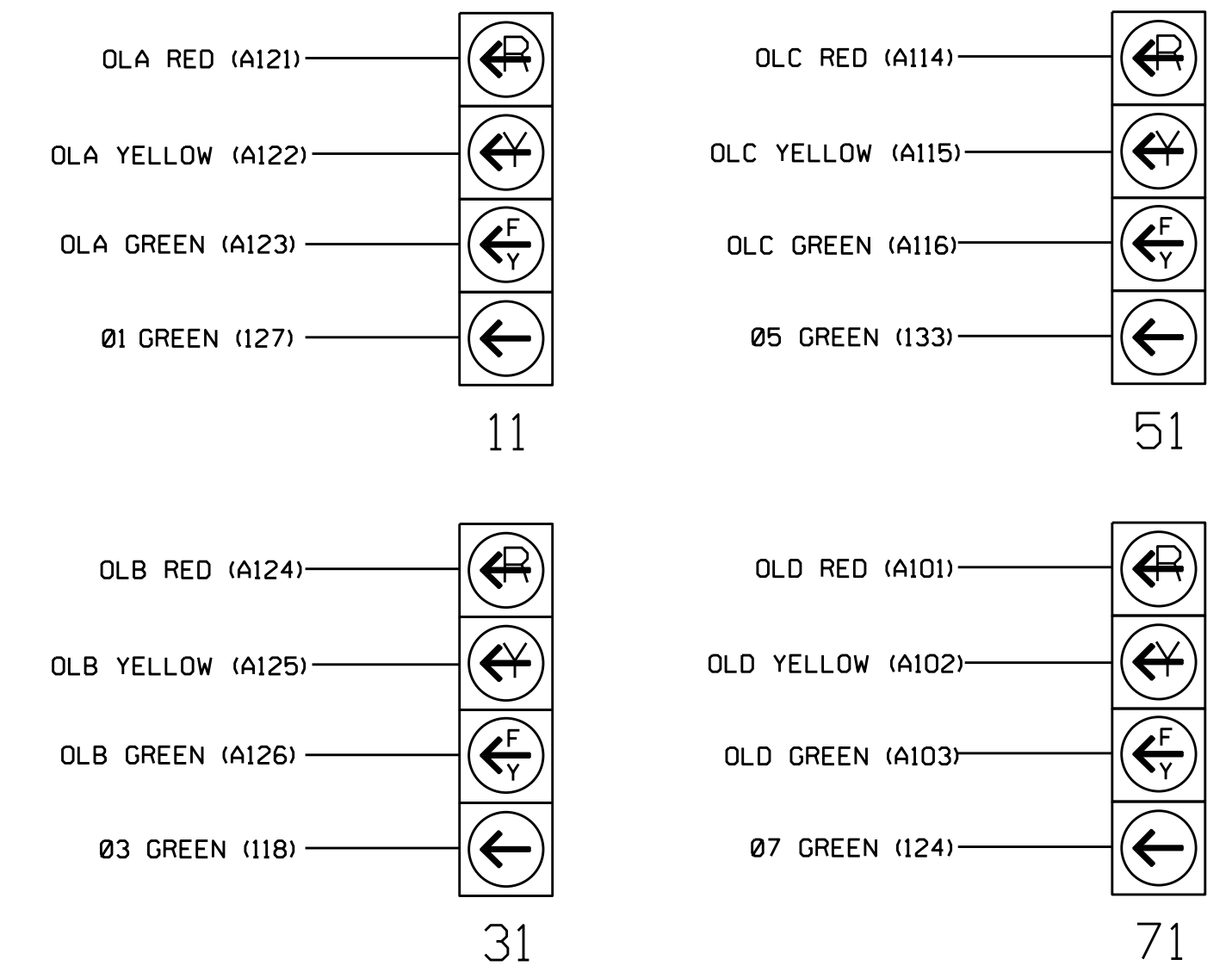
LOAD RESISTOR INSTALLATION DETAIL

(install resistors as shown)



FYA SIGNAL WIRING DETAIL

(wire signal heads as shown)



THIS ELECTRICAL DETAIL IS FOR THE SIGNAL DESIGN: 06-0016
 DESIGNED: April 2016
 SEALED: 10-14-16
 REVISED: N/A

Electrical Detail Sheet 1 of 3

DOCUMENT NOT CONSIDERED FINAL UNLESS ALL SIGNATURES COMPLETED

Prepared In the Office of:
 TRANSPORTATION MOBILITY AND SAFETY
 NORTH CAROLINA DEPARTMENT OF TRANSPORTATION
 Signal Management Section
 750 N. Greenfield Pkwy, Garner, NC 27529

SEAL
 NORTH CAROLINA PROFESSIONAL ENGINEER
 KEITH M. MEWS
 036880

SEAL
 10/20/2016
 DATE

Division 6 Cumberland County Fayetteville
 PLAN DATE: October 2016 REVIEWED BY: BAS
 PREPARED BY: James Peterson REVIEWED BY:
 REVISIONS INIT. DATE
 SIGNED BY: Keith M. Mews 10/20/2016
 DATE
 SIG. INVENTORY NO. 06-0016

18-001-2016-08-55
 S:\IT\5511\15_Signal\work\hgr\oups\sig_Man\eter\sm\060016_sml.e...xxx.dgn
 J.peterson