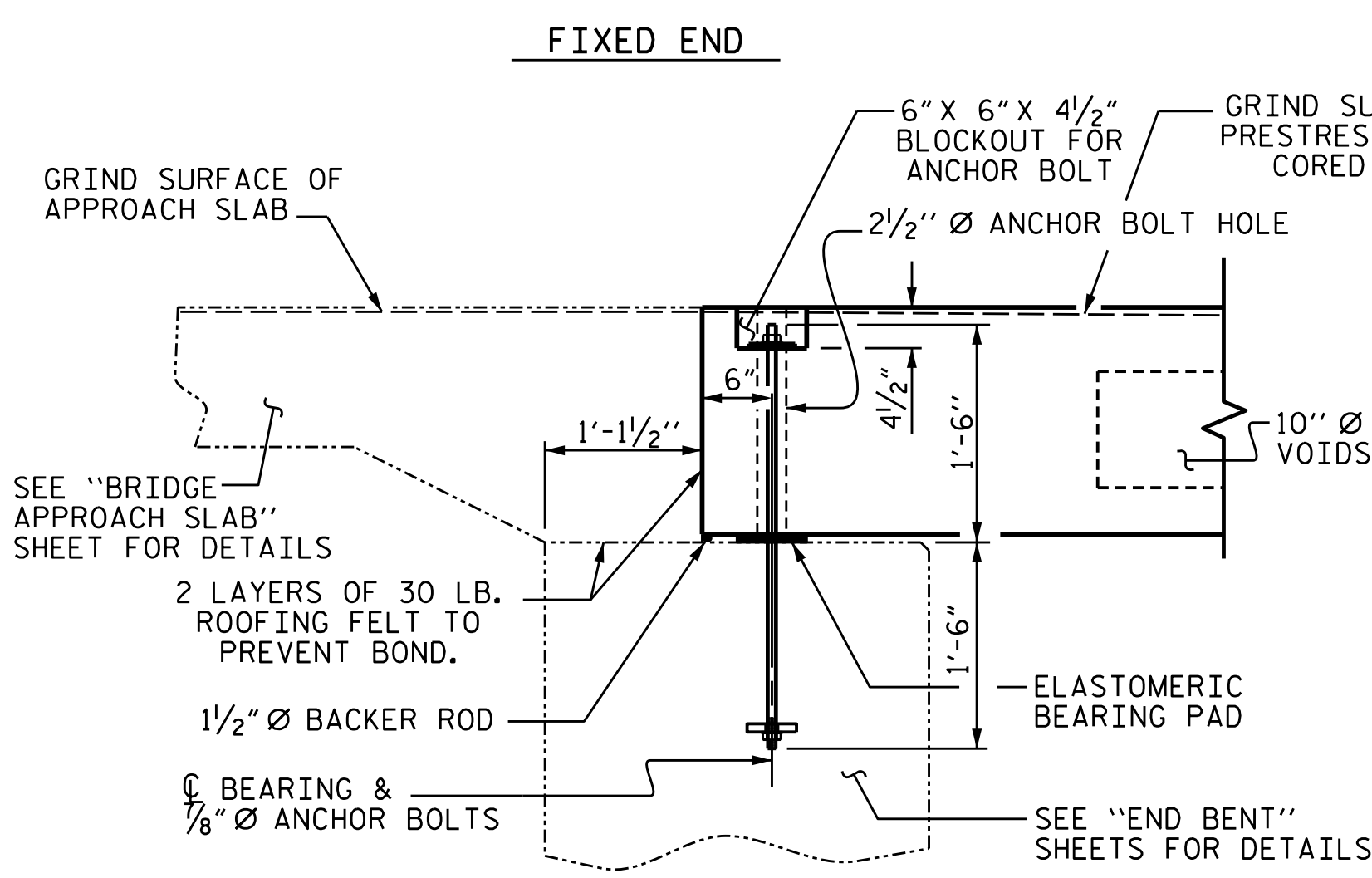
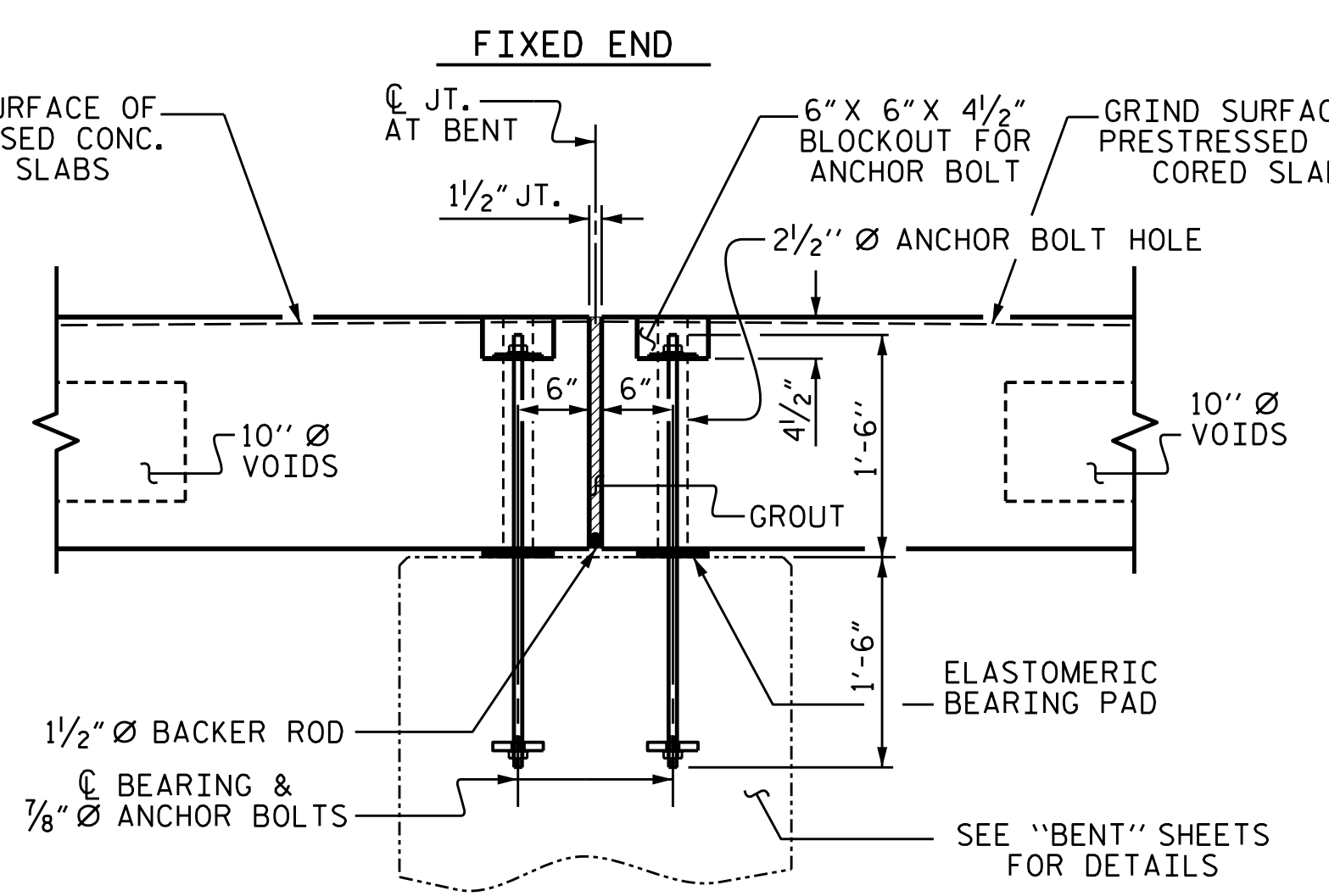


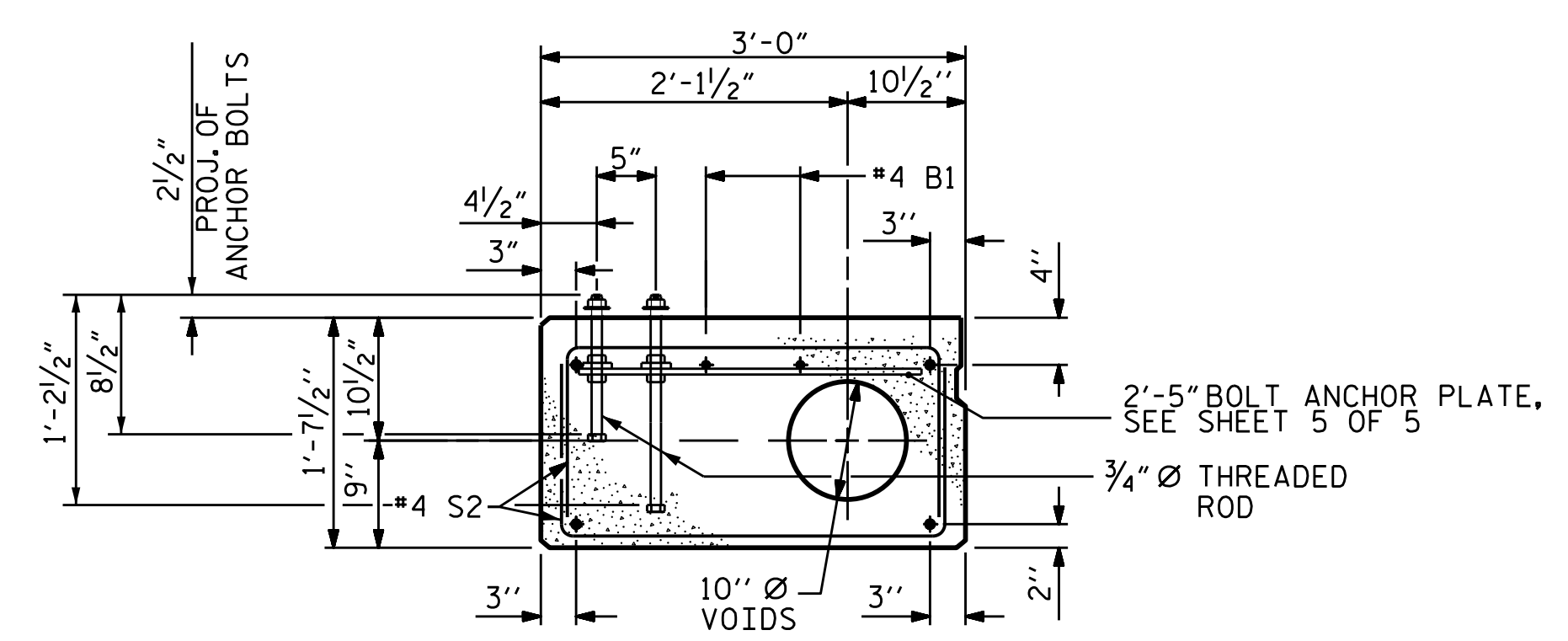
HALF SECTION AT INTERMEDIATE DIAPHRAGMS  
 HALF SECTION THRU VOIDS  
**TYPICAL SECTION**  
 \* GRADE POINT LOCATED AT FINISHED SURFACE (AFTER BRIDGE DECK GRINDING)



**SECTION AT END BENT**

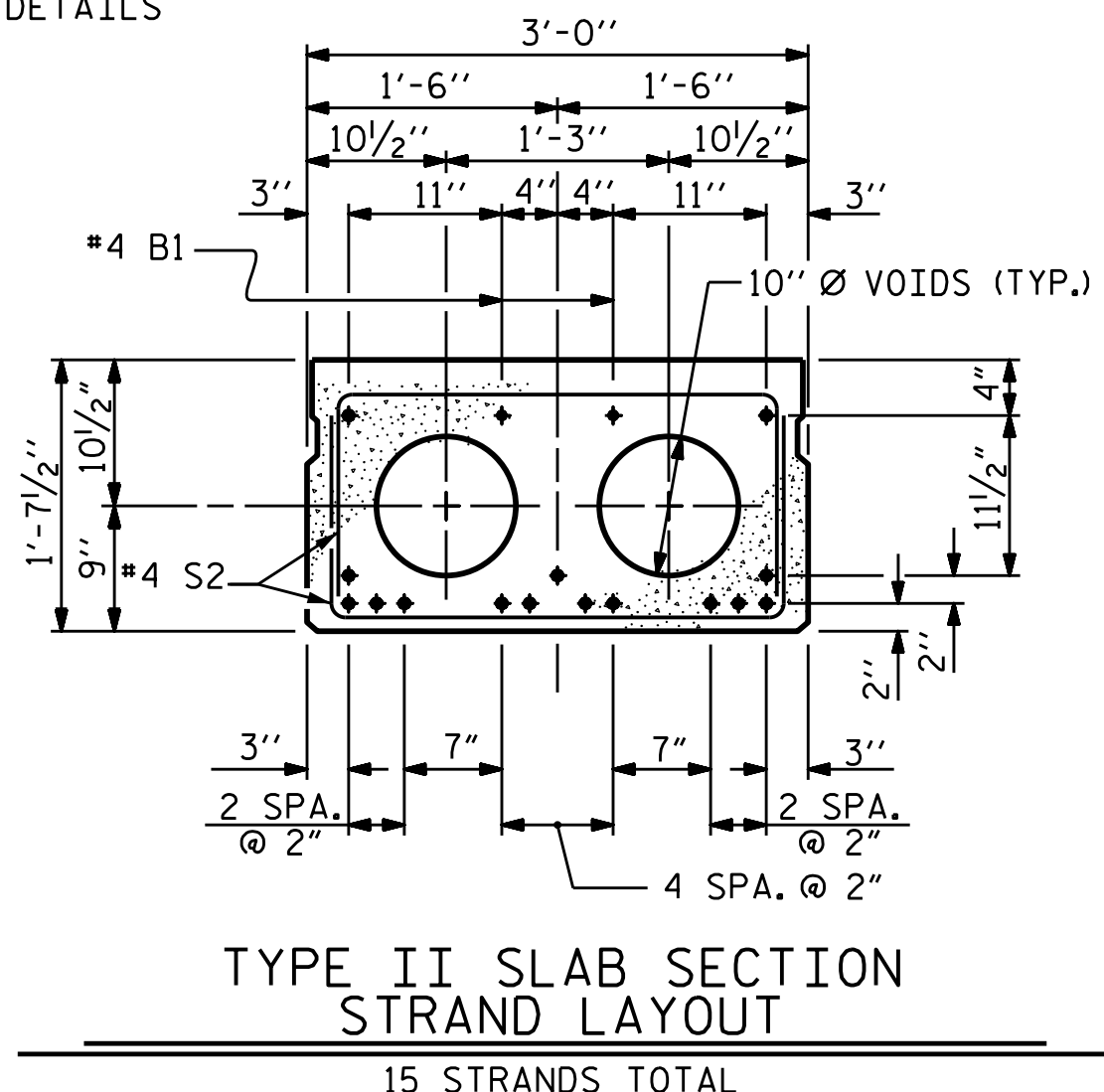


**SECTION AT BENT**

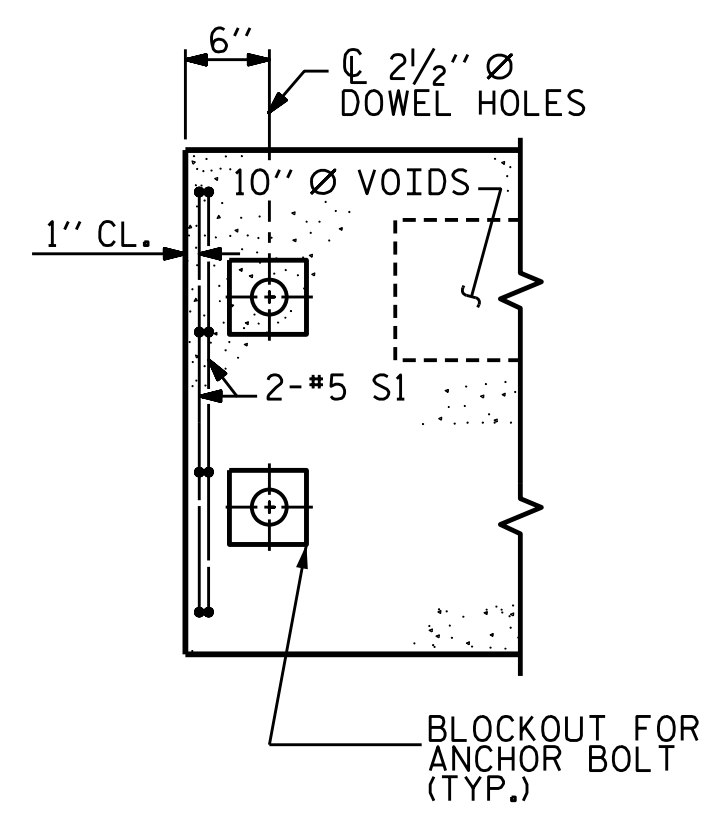


**TYPE I SLAB SECTION**

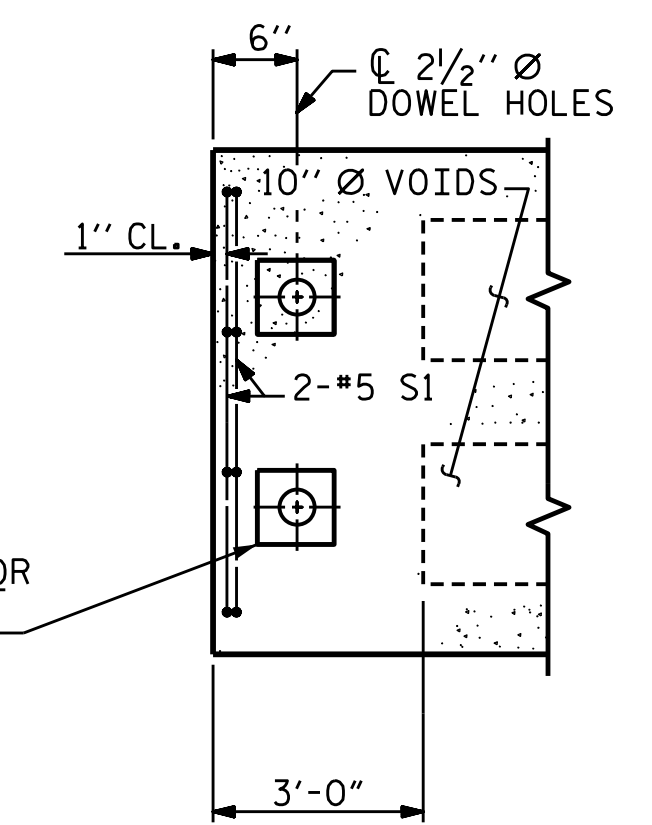
FOR PRESTRESSED STRAND LAYOUT, SEE "TYPE II SLAB SECTION STRAND LAYOUT"  
 FOR T101 ANCHOR ASSEMBLY DETAILS, SEE SHEET 5 OF 5.



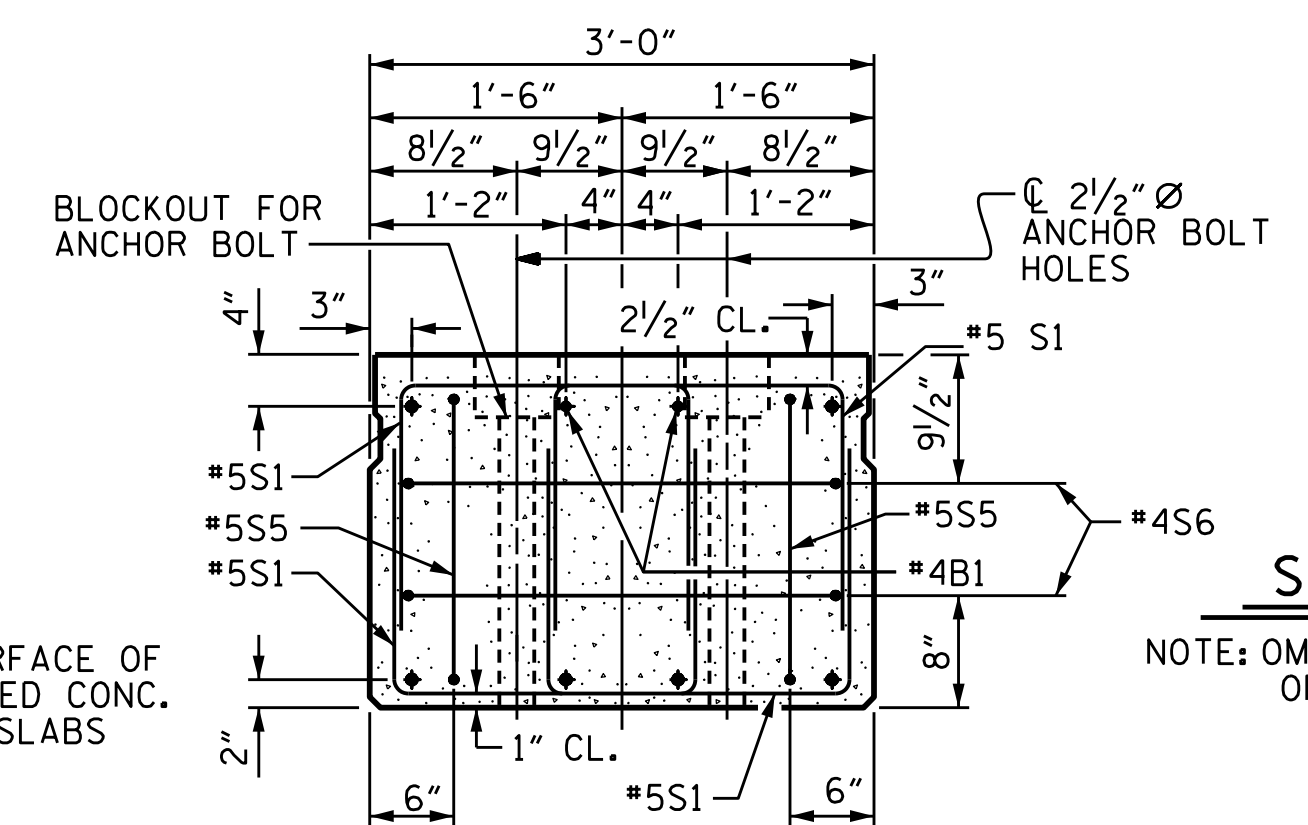
**TYPE II SLAB SECTION STRAND LAYOUT**  
 15 STRANDS TOTAL



**PART PLAN-TYPE I SECTION**

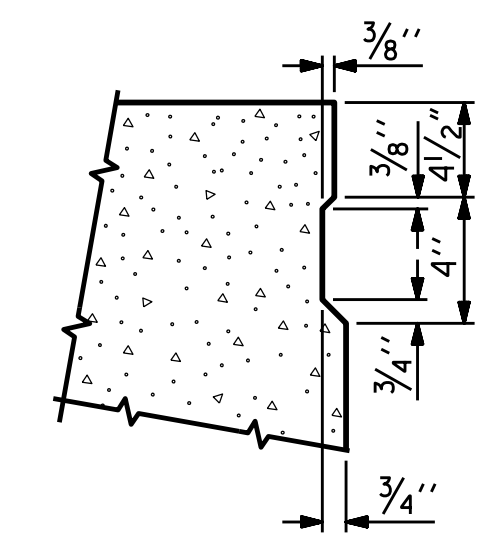


**PART PLAN-TYPE II SECTION**



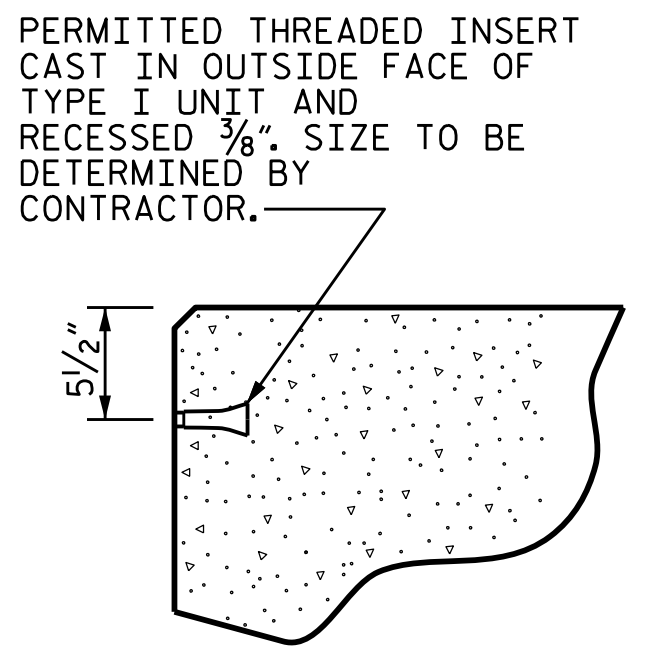
**END ELEVATION**

SHOWING PLACEMENT OF DOUBLE STIRRUPS AND LOCATION OF DOWEL HOLES. (STRAND LAYOUT NOT SHOWN.)  
 TYPE II UNIT SHOWN - TYPE I UNIT SIMILAR EXCEPT SHEAR KEY LOCATIONS.

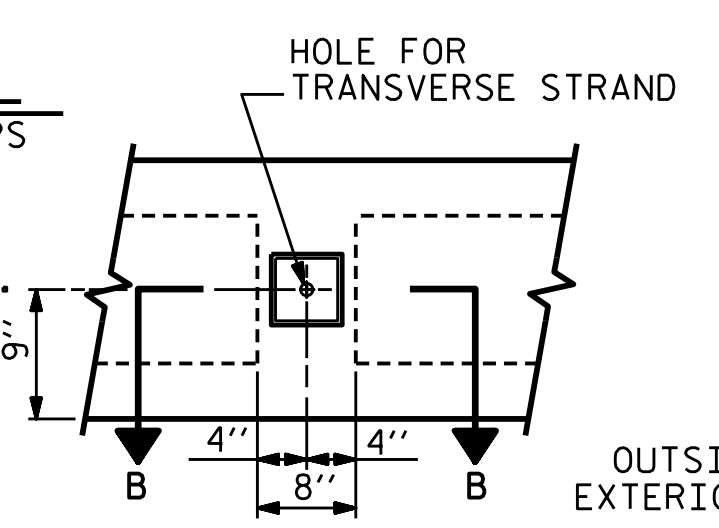


**SHEAR KEY DETAIL**

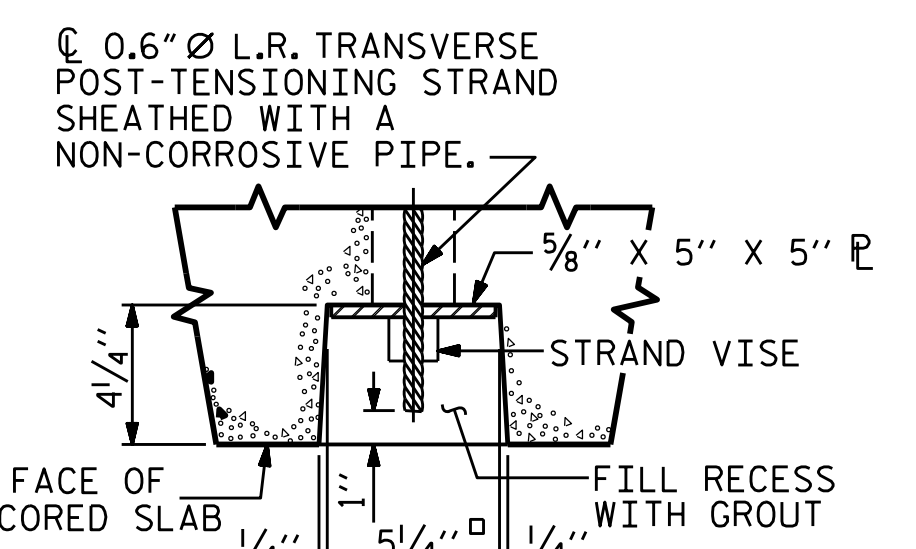
NOTE: OMIT SHEAR KEY ON OUTSIDE FACE OF EXTERIOR CORED SLABS.



**THREADED INSERT DETAIL**



**ELEVATION VIEW**



**SECTION B-B**

**GROUTED RECESS AT END OF POST-TENSIONED STRAND CORED SLABS**

DRAWN BY: M. POOLE DATE: 7/16  
 CHECKED BY: W.J. HARRIS DATE: 10/16  
 DESIGN ENGINEER OF RECORD: W.J. HARRIS DATE: 10/16

\*\*\*\*\*SYSTEM\*\*\*\*\*  
 \*\*\*\*\*USER\*\*\*\*\*

DOCUMENT NOT CONSIDERED FINAL UNLESS ALL SIGNATURES COMPLETED



PROJECT NO. B-5383  
 AVERY COUNTY  
 STATION: 12+71.00 -L-

SHEET 1 OF 5

STATE OF NORTH CAROLINA DEPARTMENT OF TRANSPORTATION RALEIGH					
3'-0" X 1'-7 1/2" PRESTRESSED CONCRETE CORED SLAB UNIT					
REVISIONS					
NO.	BY:	DATE:	NO.	BY:	DATE:
1			3		
2			4		

SHEET NO. S-4  
 TOTAL SHEETS 16