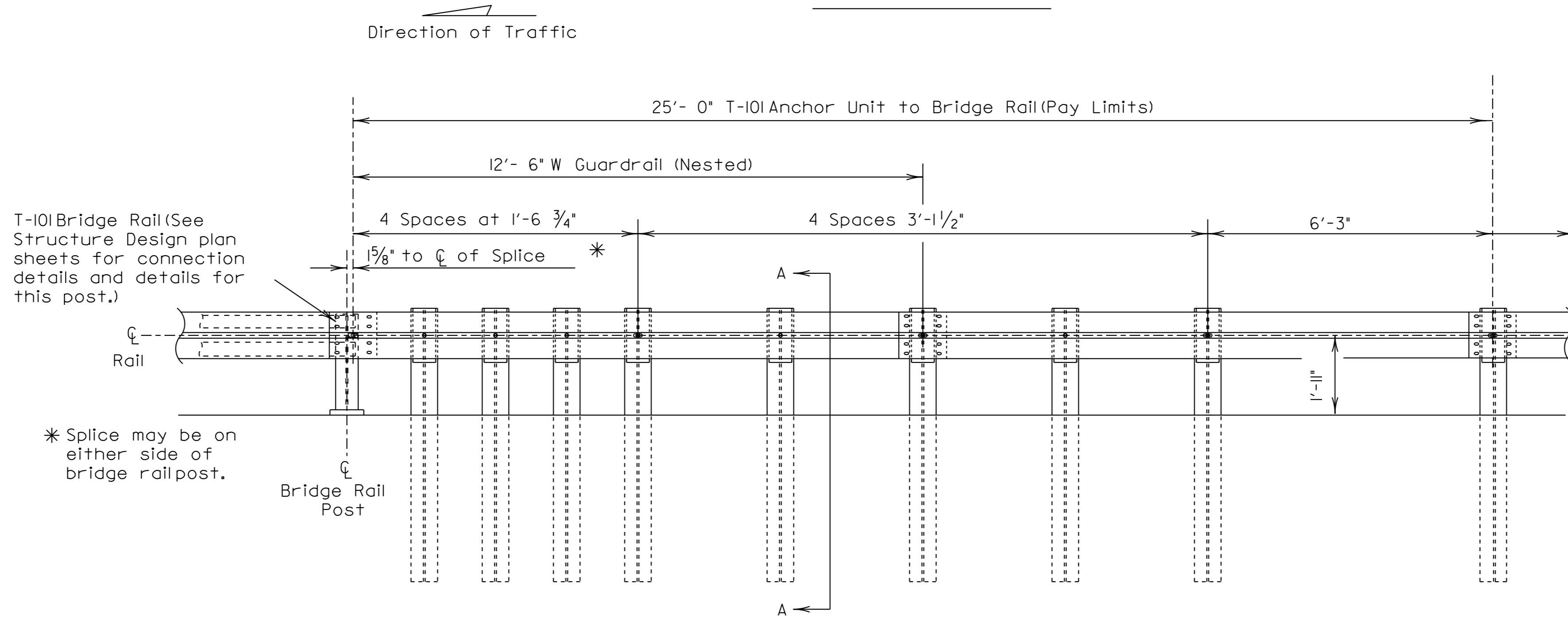
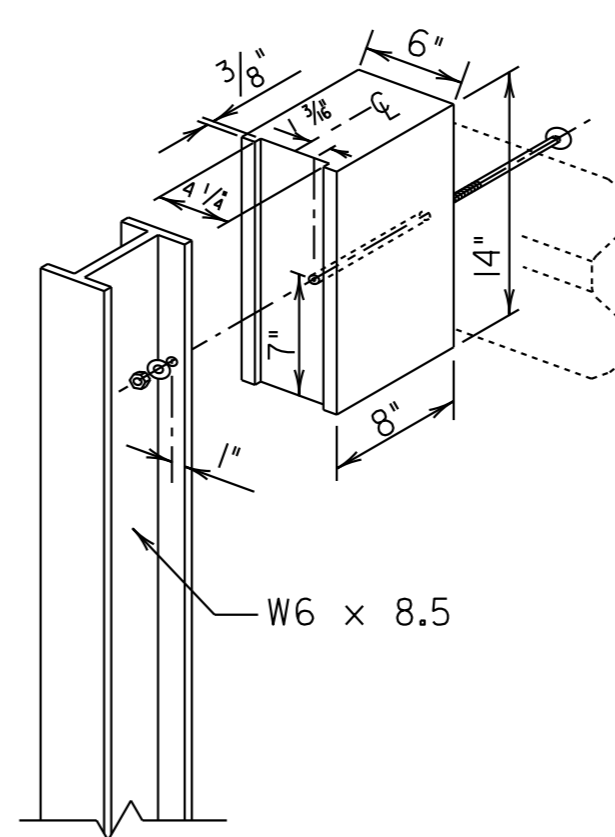
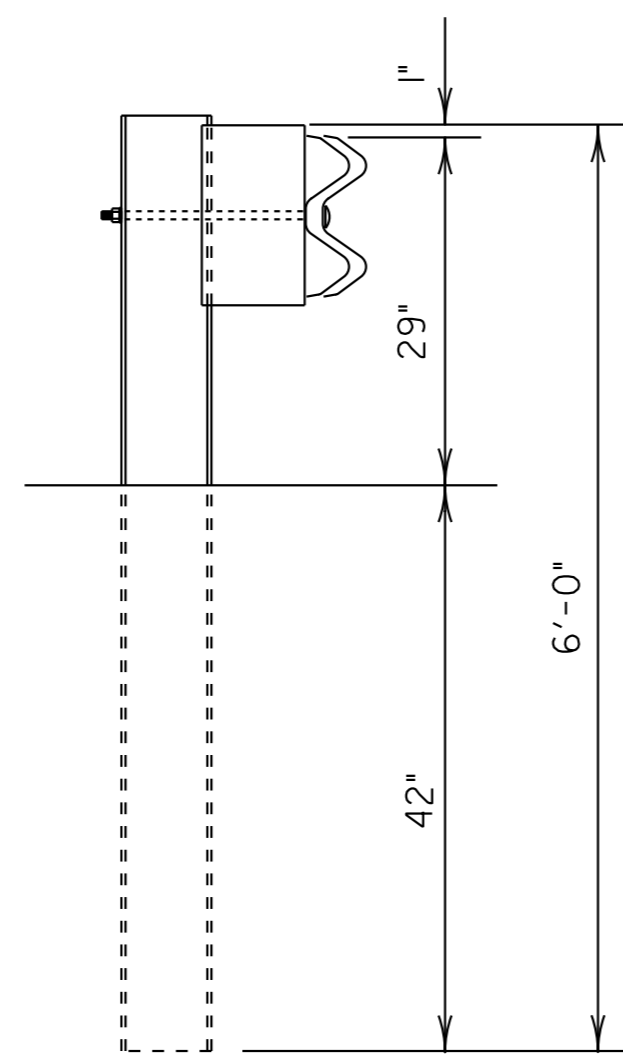


TYPICAL PLAN VIEW



TYPICAL ELEVATION VIEW



DocuSigned by:  
Joel Howerton 12/28/2016  
873F3D17DCC45F

DOCUMENT NOT CONSIDERED FINAL  
UNLESS ALL SIGNATURES COMPLETED

CONTRACT STANDARDS & DEVELOPMENT UNIT  
STANDARDS AND SPECIAL DESIGN  
Office 919-707-6950 FAX 919-250-4119

T-101 ANCHOR UNIT

ORIGINAL BY: \_\_\_\_\_ DATE: \_\_\_\_\_  
 MODIFIED BY: rnbritt DATE: 10-27-11  
 CHECKED BY: \_\_\_\_\_ DATE: \_\_\_\_\_  
 FILE SPEC.: \_\_\_\_\_

\$\$\$\$\$  
 C:\P\COMMON\USER\NAME\$\$\$\$\$  
 TIME\$\$\$\$\$