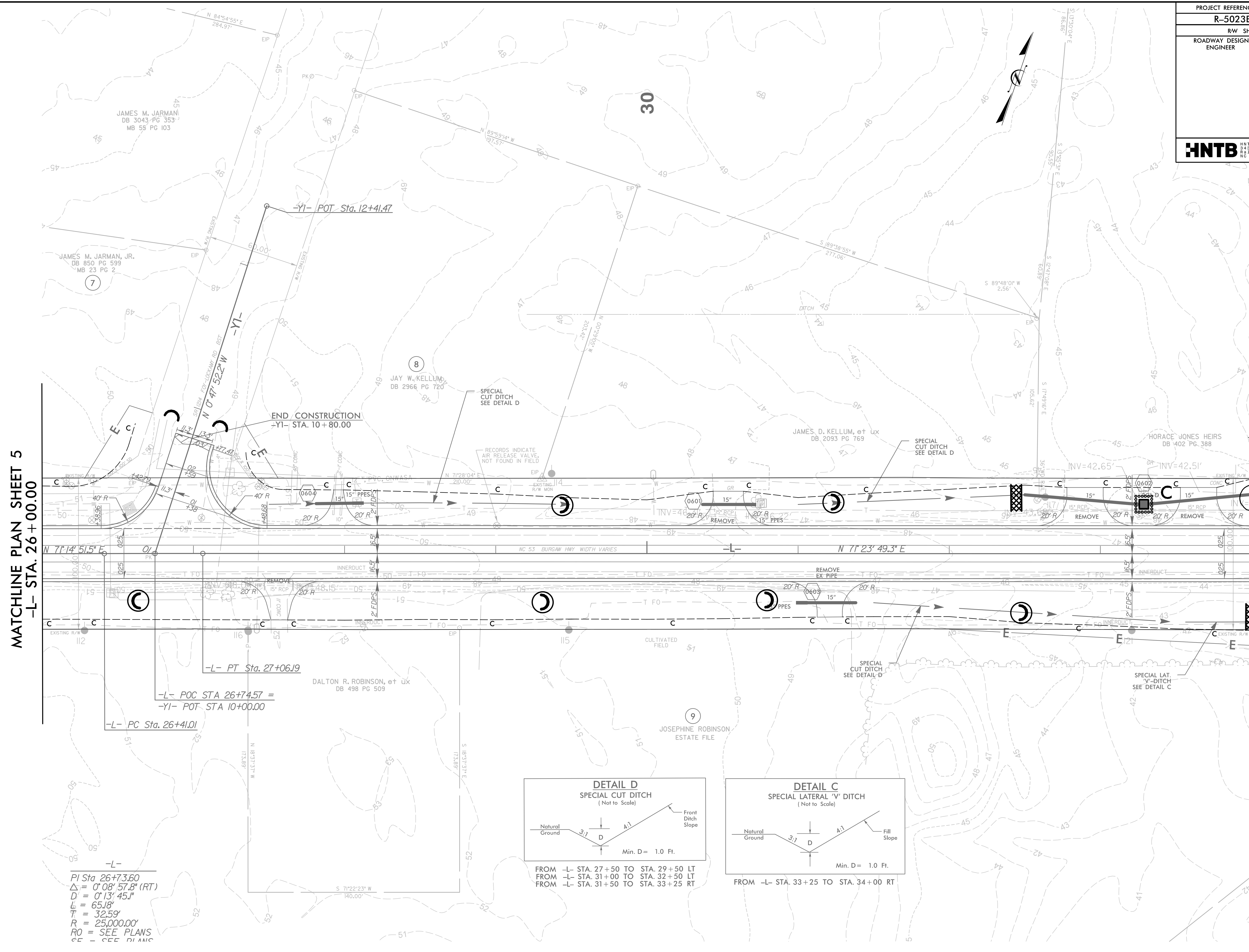


PROJECT REFERENCE NO.	SHEET NO.
R-5023B	EC-20/CONST.6
RW SHEET NO.	
ROADWAY DESIGN ENGINEER	HYDRAULICS ENGINEER
HNTB	
HNTB NORTH CAROLINA, P.C. 343 E. Six Forks Road, Suite 200 Raleigh, North Carolina 27609 NC License No: C-1554	

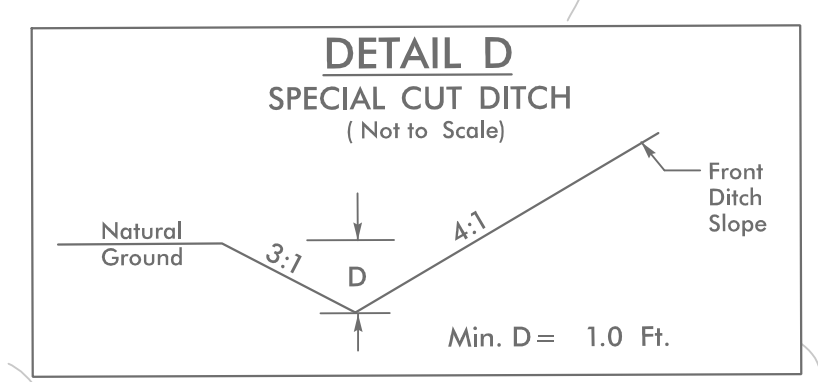


MATCHLINE PLAN SHEET 5
-L- STA. 26+00.00

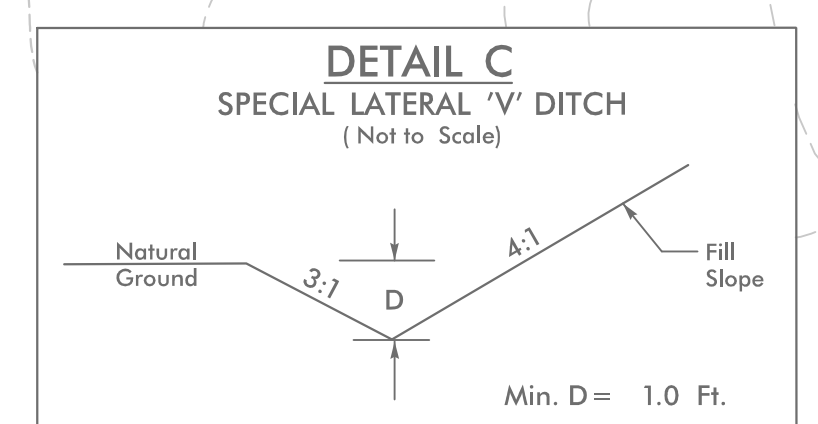
MATCHLINE PLAN SHEET 7
-L- STA. 34+00.00

REVISIONS

-L-
 PI Sta 26+73.60
 $\Delta = 0^{\circ} 08' 57.8''$ (RT)
 $D = 0' 13' 45.1''$
 $L = 65.18'$
 $T = 32.59'$
 $R = 25,000.00'$
 RO = SEE PLANS
 SE = SEE PLANS



FROM -L- STA. 27+50 TO STA. 29+50 LT
 FROM -L- STA. 31+00 TO STA. 32+50 LT
 FROM -L- STA. 31+50 TO STA. 33+25 RT



FROM -L- STA. 33+25 TO STA. 34+00 RT

44249.PW
 4/15/2023 BC.ec.psh_6.dgn
 HNTB

8/17/99