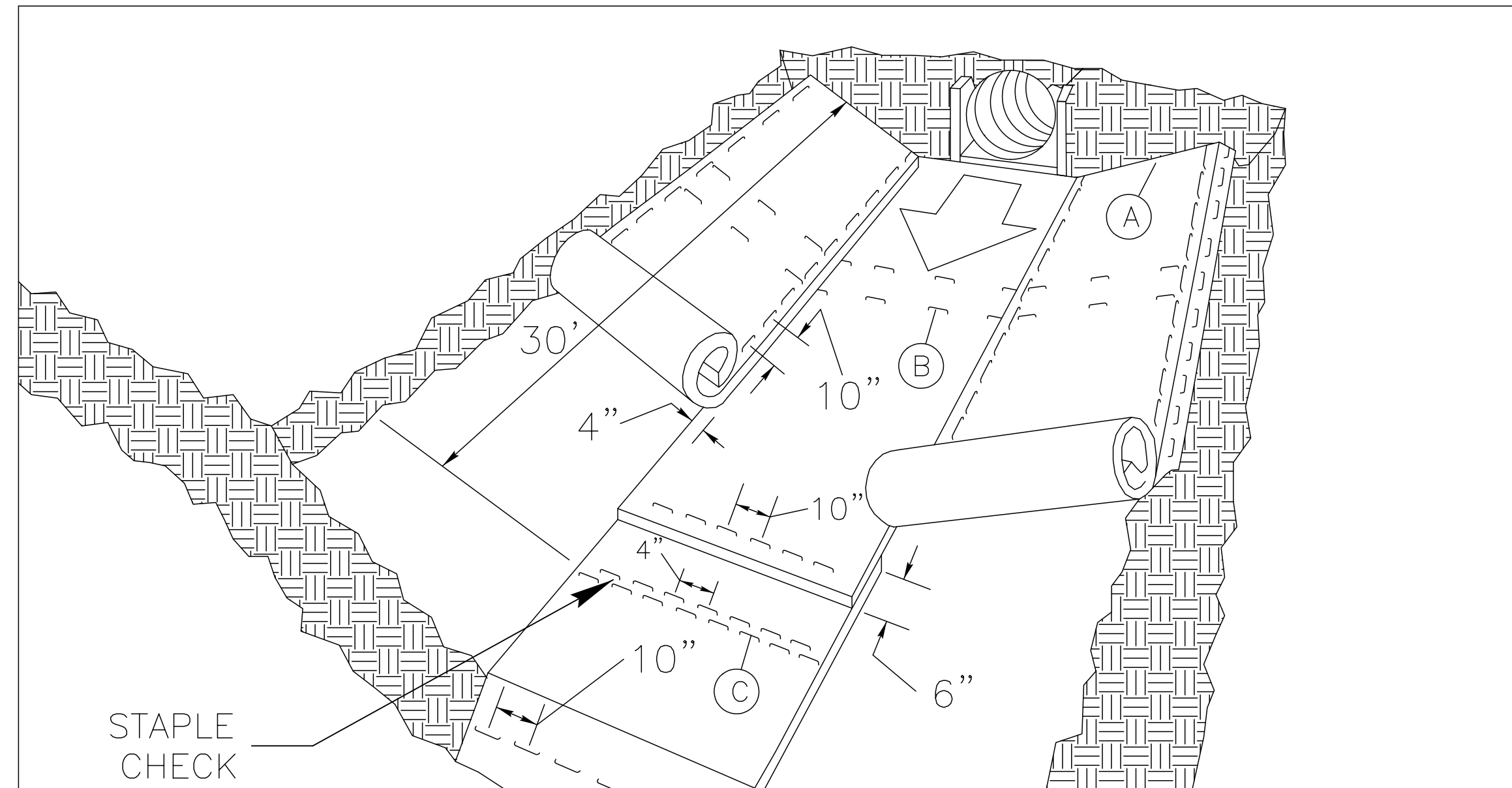


PROJECT REFERENCE NO. <i>R-5023B</i>	SHEET NO. <i>EC-2A</i>
RW SHEET NO.	
ROADWAY DESIGN ENGINEER	HYDRAULICS ENGINEER

# MATTING INSTALLATION DETAIL



**MATTING IN DITCHES**

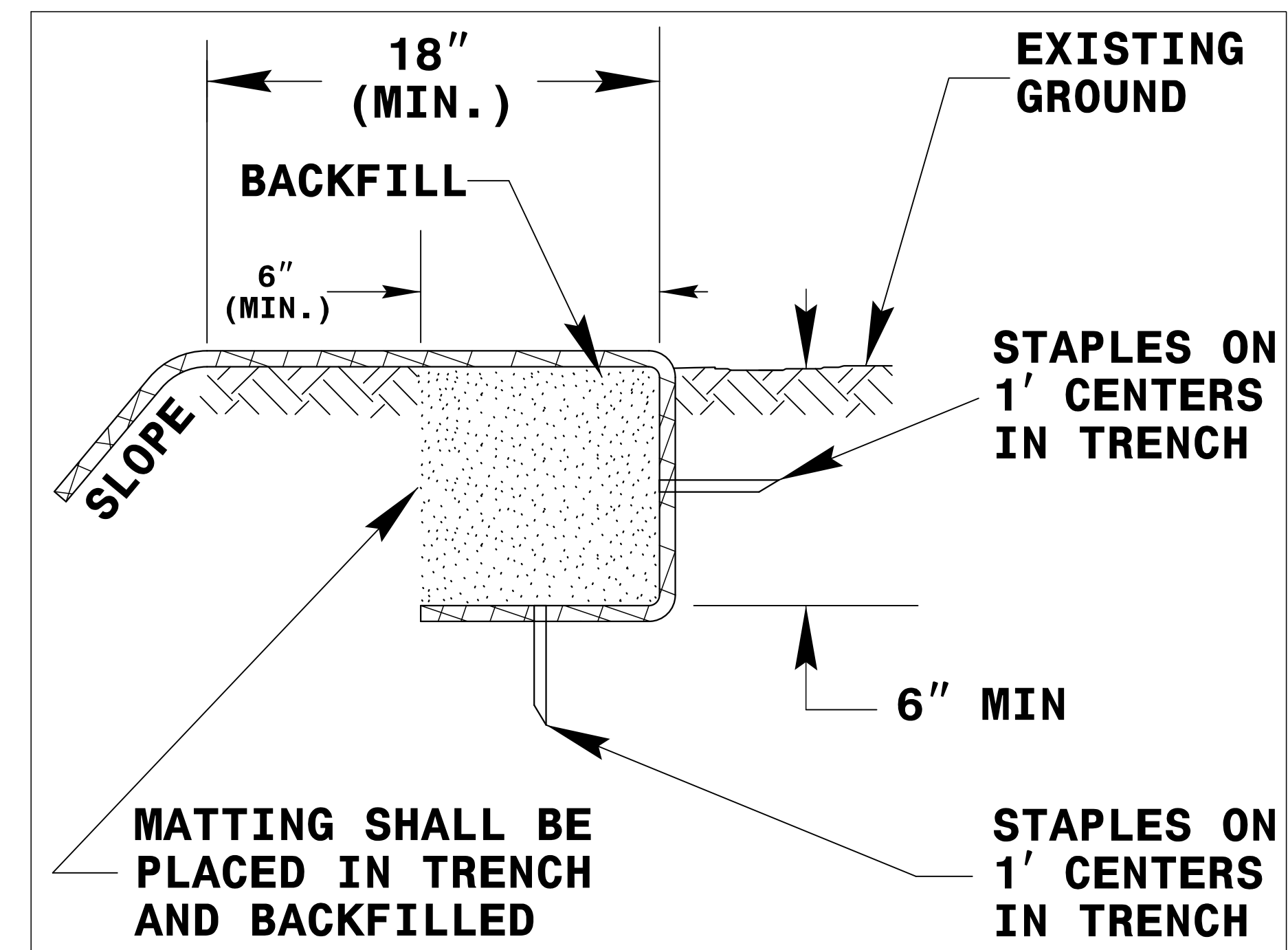
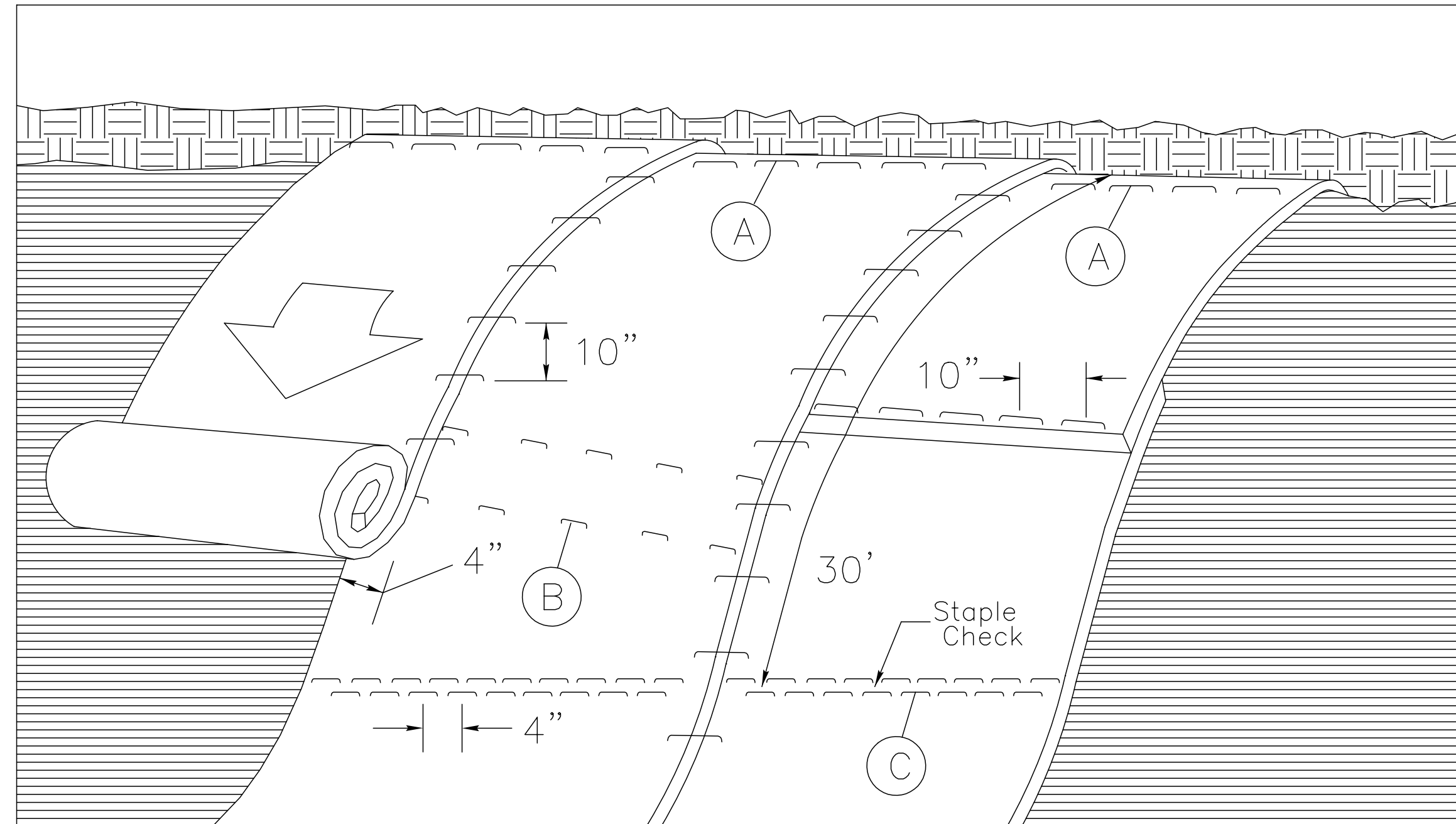


DIAGRAM (A)



**MATTING ON SLOPES**

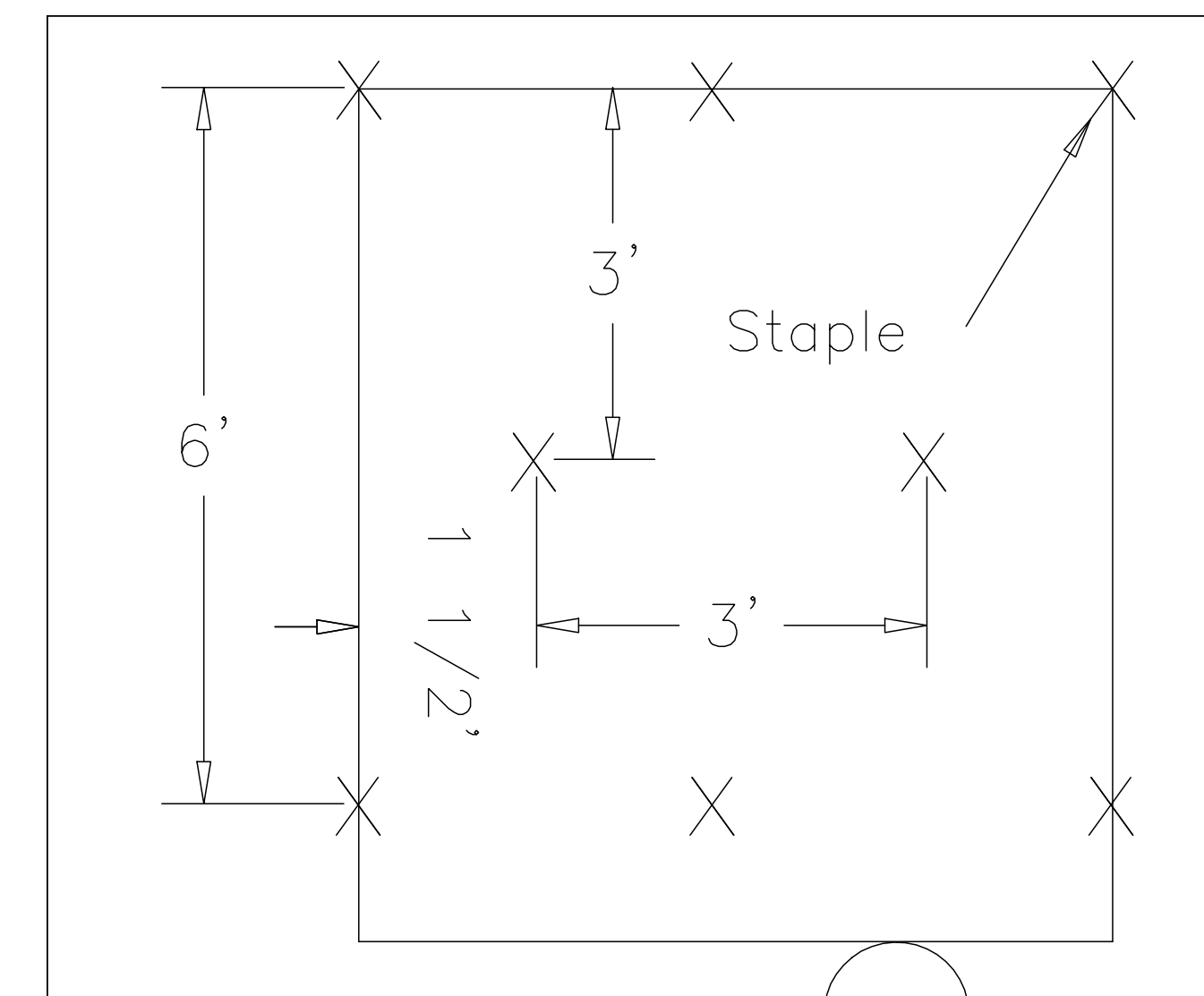


DIAGRAM (B)

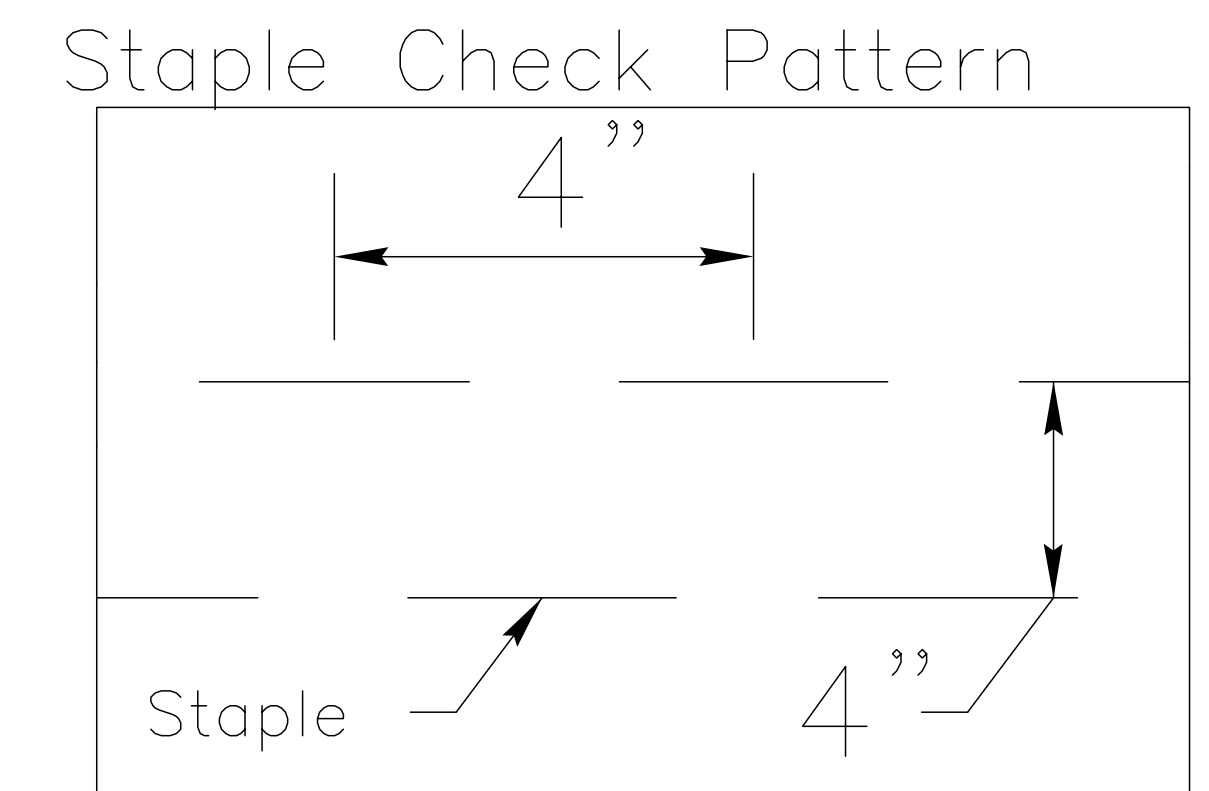


DIAGRAM (C)

**NOTES:**

THIS DETAIL APPLIES TO STRAW, EXCELSIOR, AND PERMANENT SOIL REINFORCEMENT MAT (PSRM) INSTALLATION.  
 STAPLES SHALL BE NO. 11 GAUGE STEEL WIRE FORMED INTO A "U" SHAPE WITH A MINIMUM THROAT WIDTH OF 1 INCH AND NOT LESS THAN 6 INCHES IN LENGTH.

NOT TO SCALE