

NOT TO SCALE

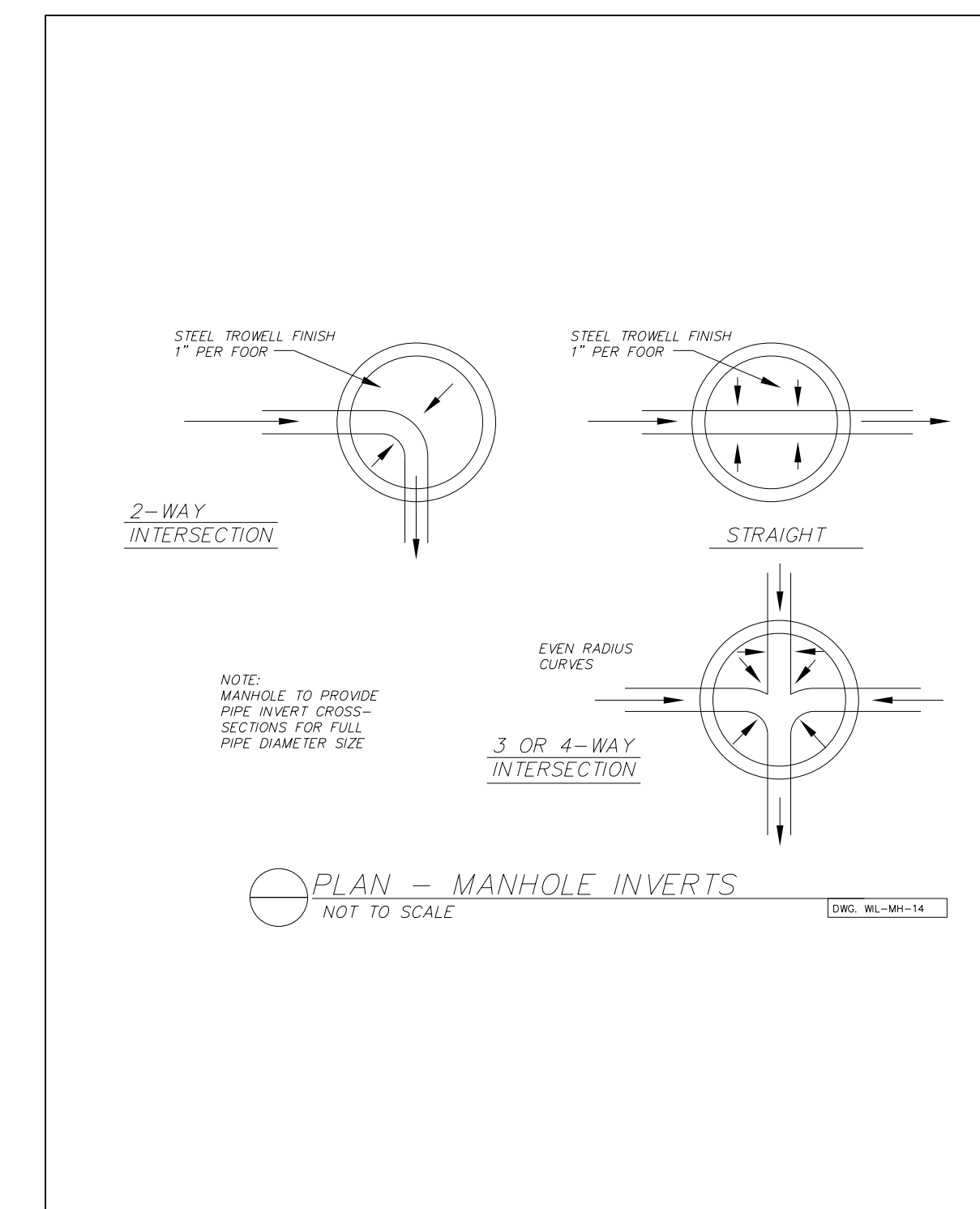
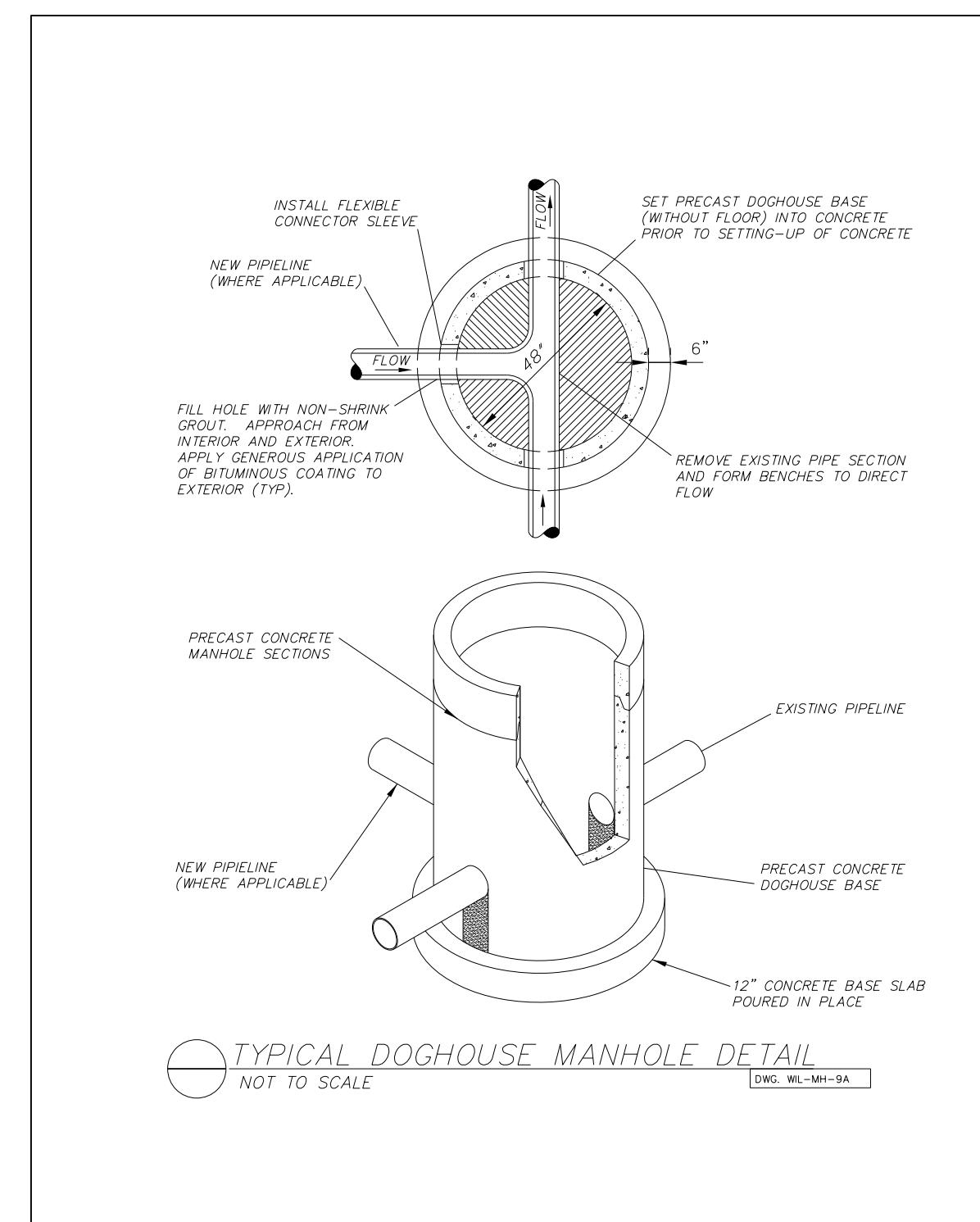
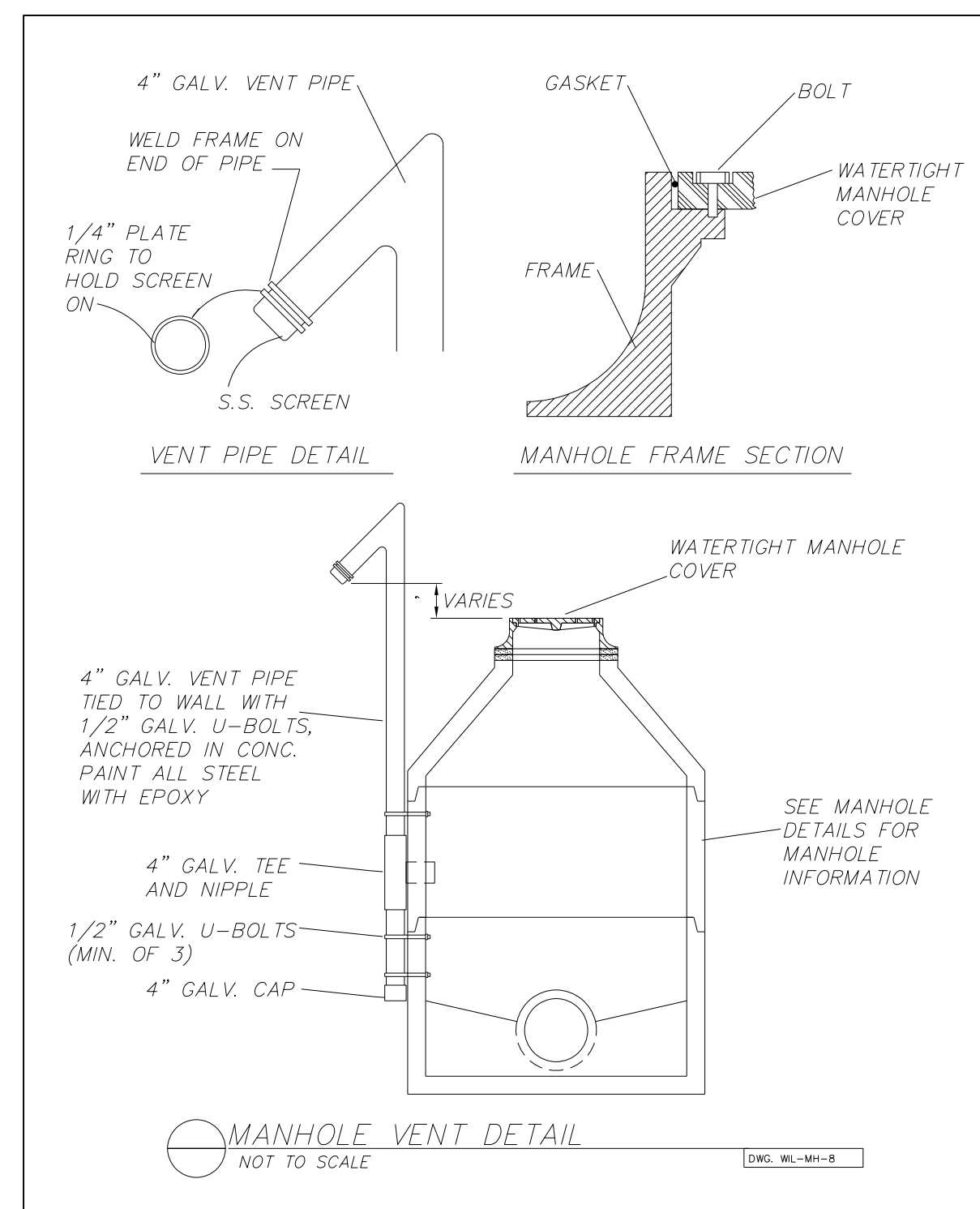
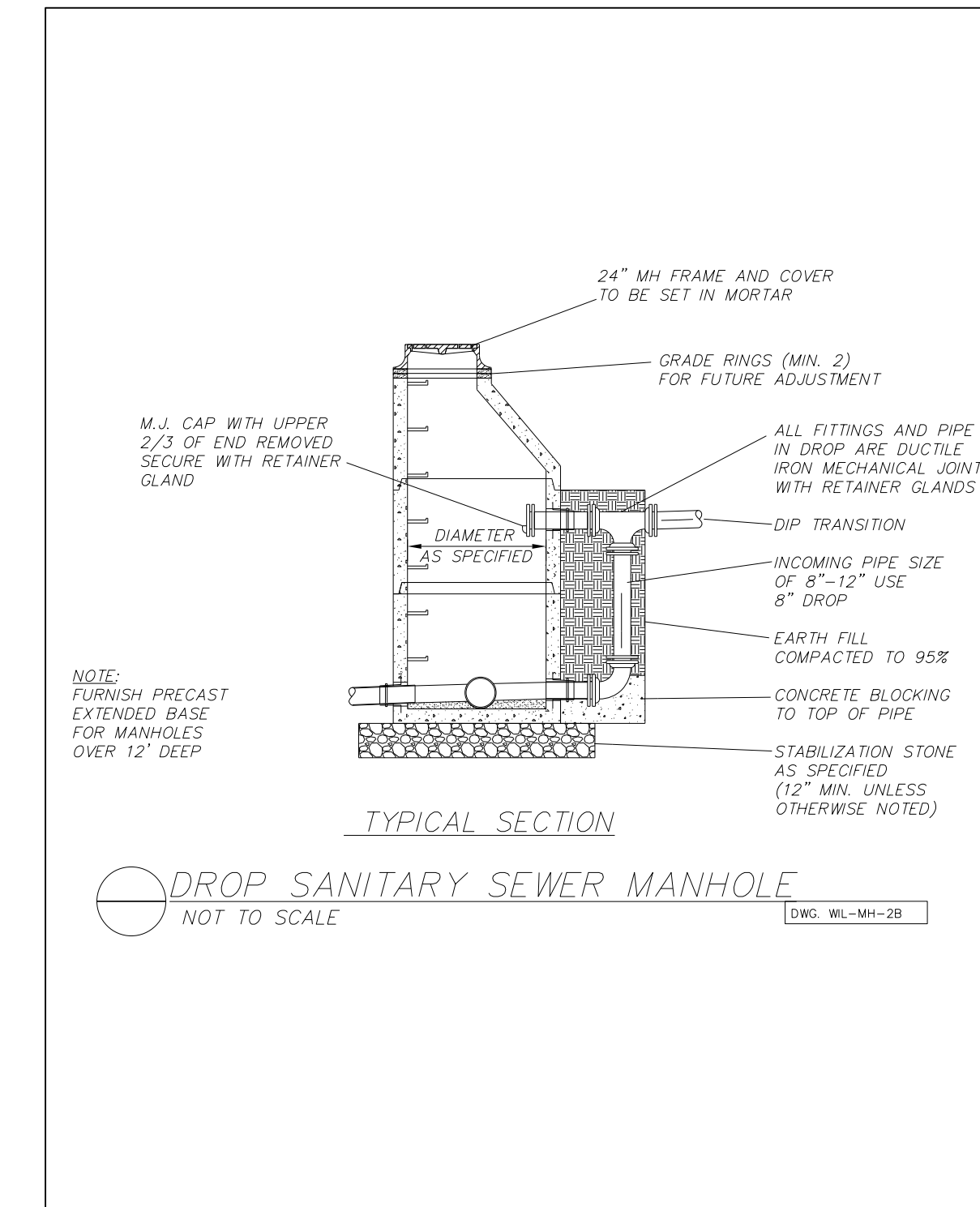
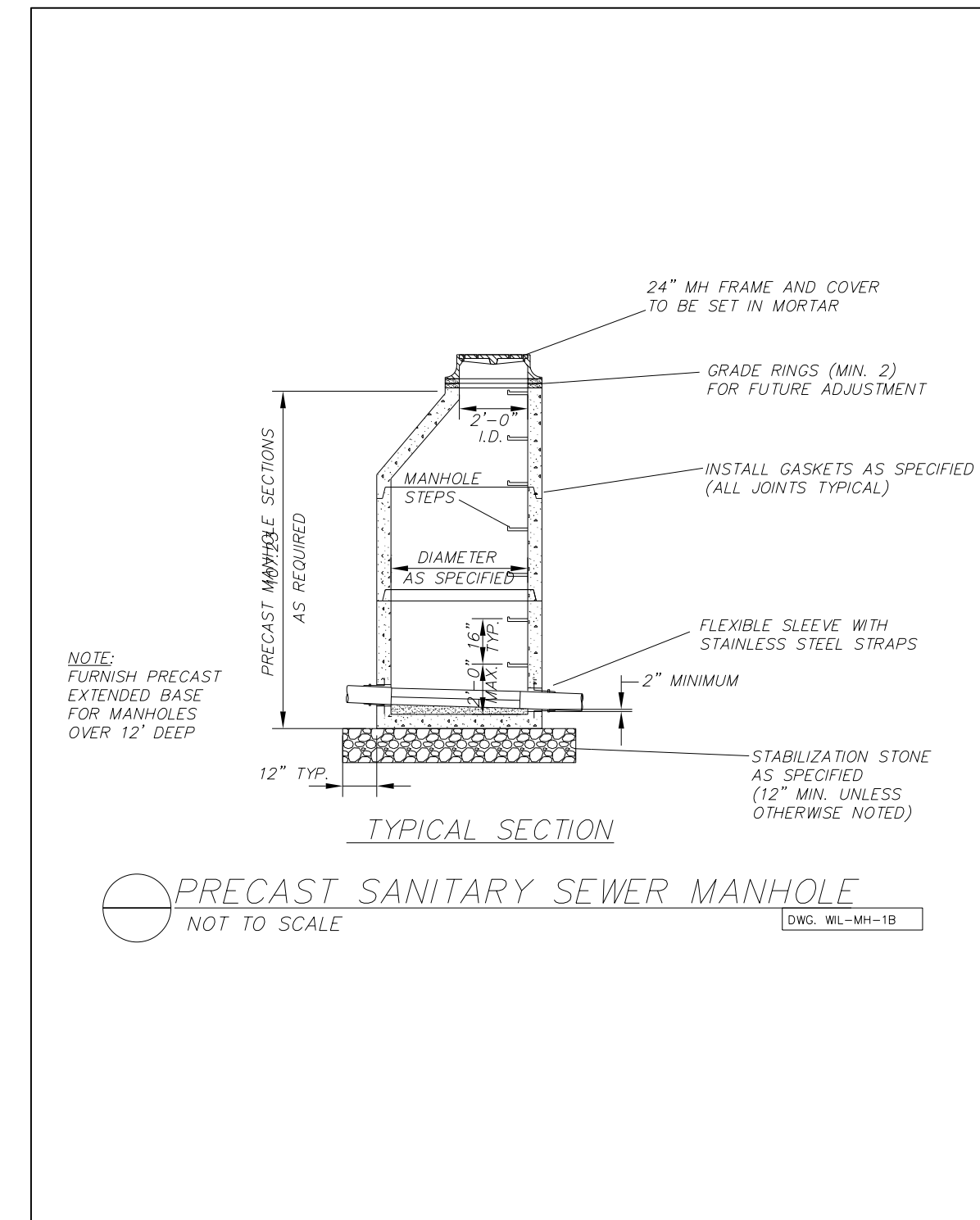
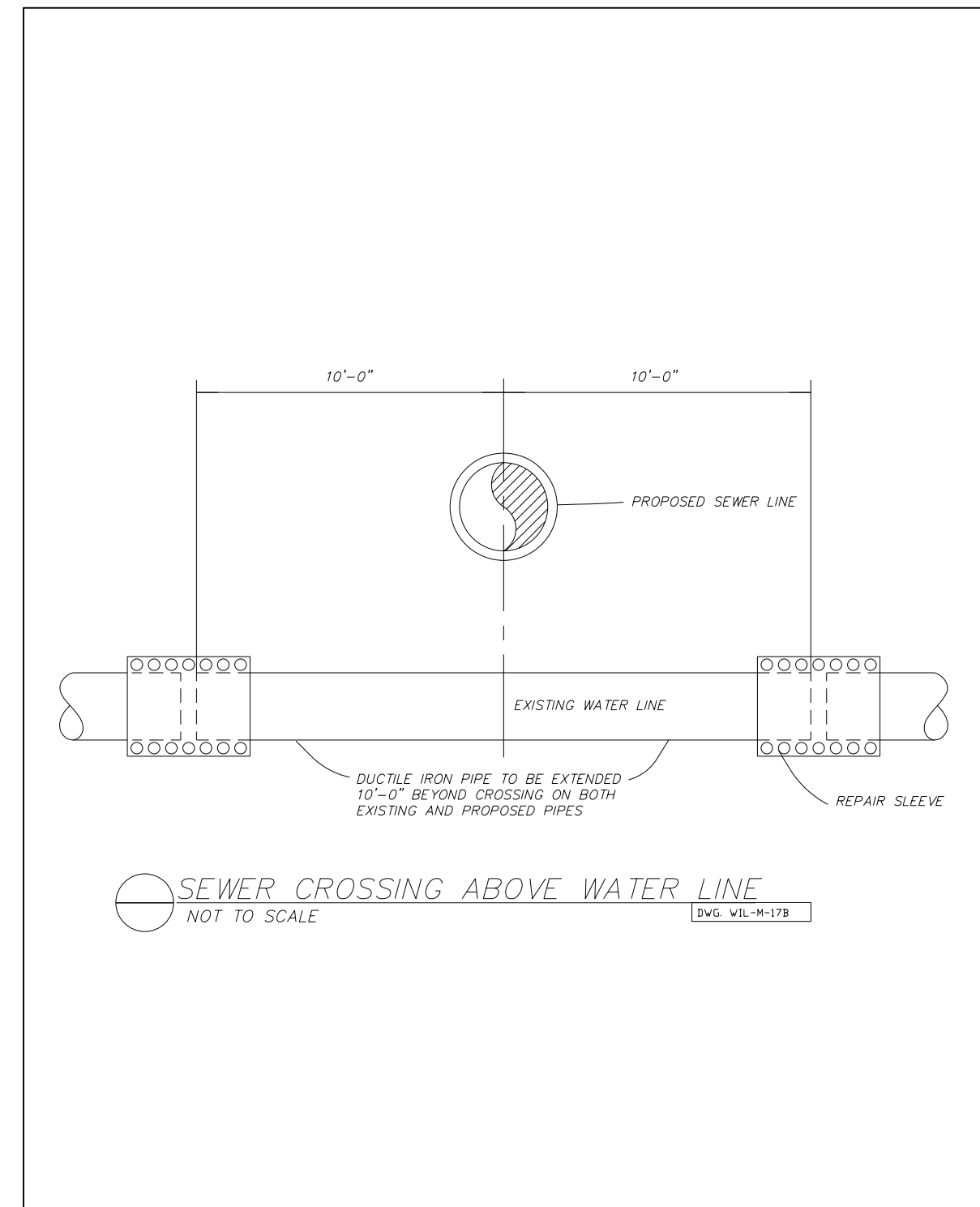


DOCUMENT NOT CONSIDERED FINAL UNLESS ALL SIGNATURES COMPLETED

PROJECT REFERENCE NO. R-3826	SHEET NO. UC-3B
DESIGNED BY: CDB	
DRAWN BY: JNA	
CHECKED BY: CLS	
APPROVED BY: CLS	
REVISED:	11/21/16
NORTH CAROLINA DEPARTMENT OF TRANSPORTATION UTILITIES ENGINEERING SEC. PHONE: (919) 707-6690 FAX: (919) 250-4151 UTILITY CONSTRUCTION PLANS ONLY	

OWNER'S TYPICAL DETAILS

UTILITY CONSTRUCTION



P:\NOV-2016_08458\PROJECTS\2016\A2016400\00_NCDOT_R-3826\Design\Utilities\Engineering\UC\Proj\NR3826_ut_dtl_UC3A_psh.dgn