

NOT TO SCALE

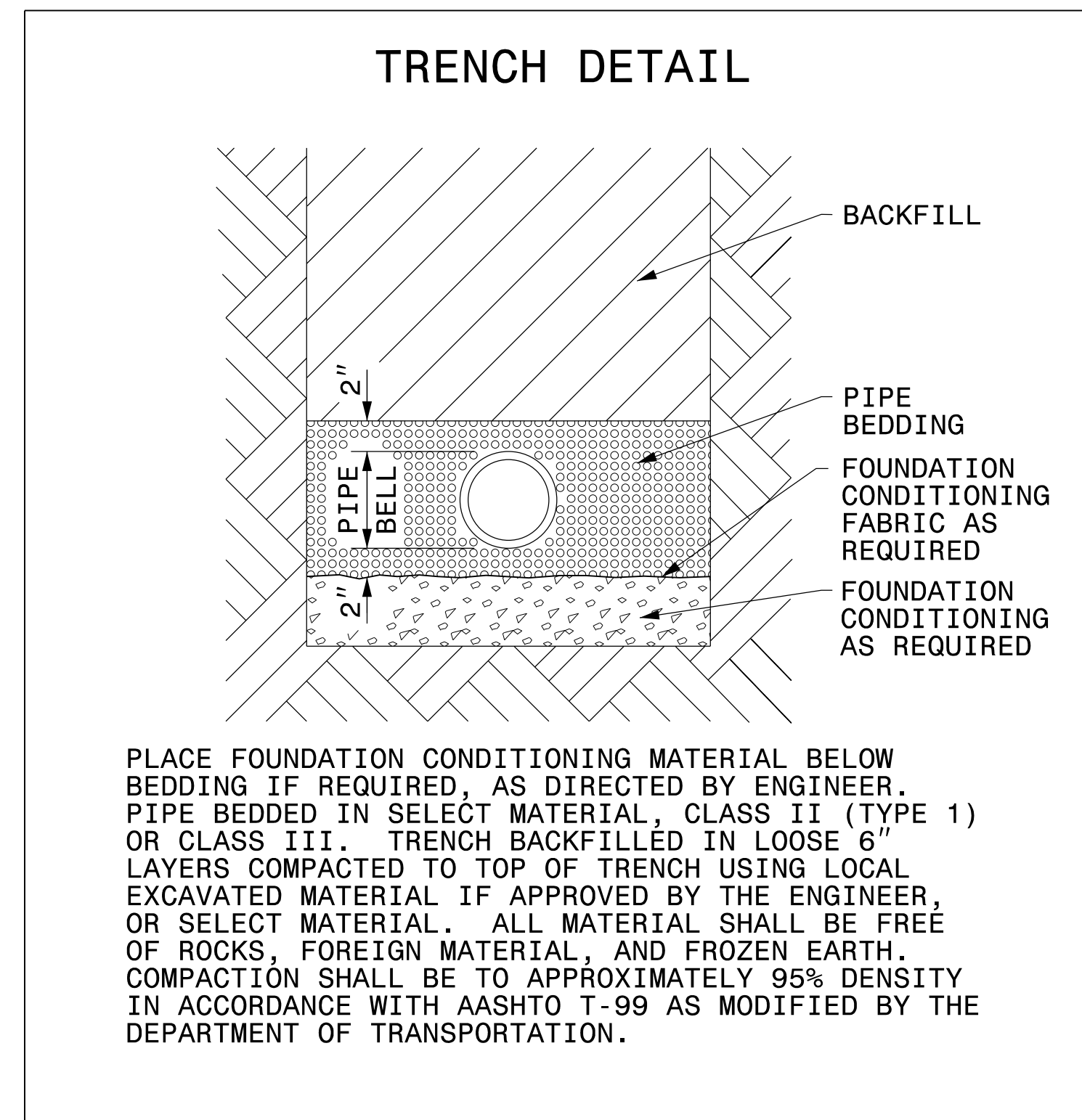


**DOCUMENT NOT CONSIDERED FINAL
UNLESS ALL SIGNATURES COMPLETED**

PROJECT REFERENCE NO. R-3826	SHEET NO. UC-3A
DESIGNED BY: CDB	
DRAWN BY: JNA	
CHECKED BY: CLS	
APPROVED BY: CLS	
REVISED:	
NORTH CAROLINA DEPARTMENT OF TRANSPORTATION UTILITIES ENGINEERING SEC. PHONE: (919) 707-6690 FAX: (919) 250-4151	
UTILITY CONSTRUCTION PLANS ONLY	

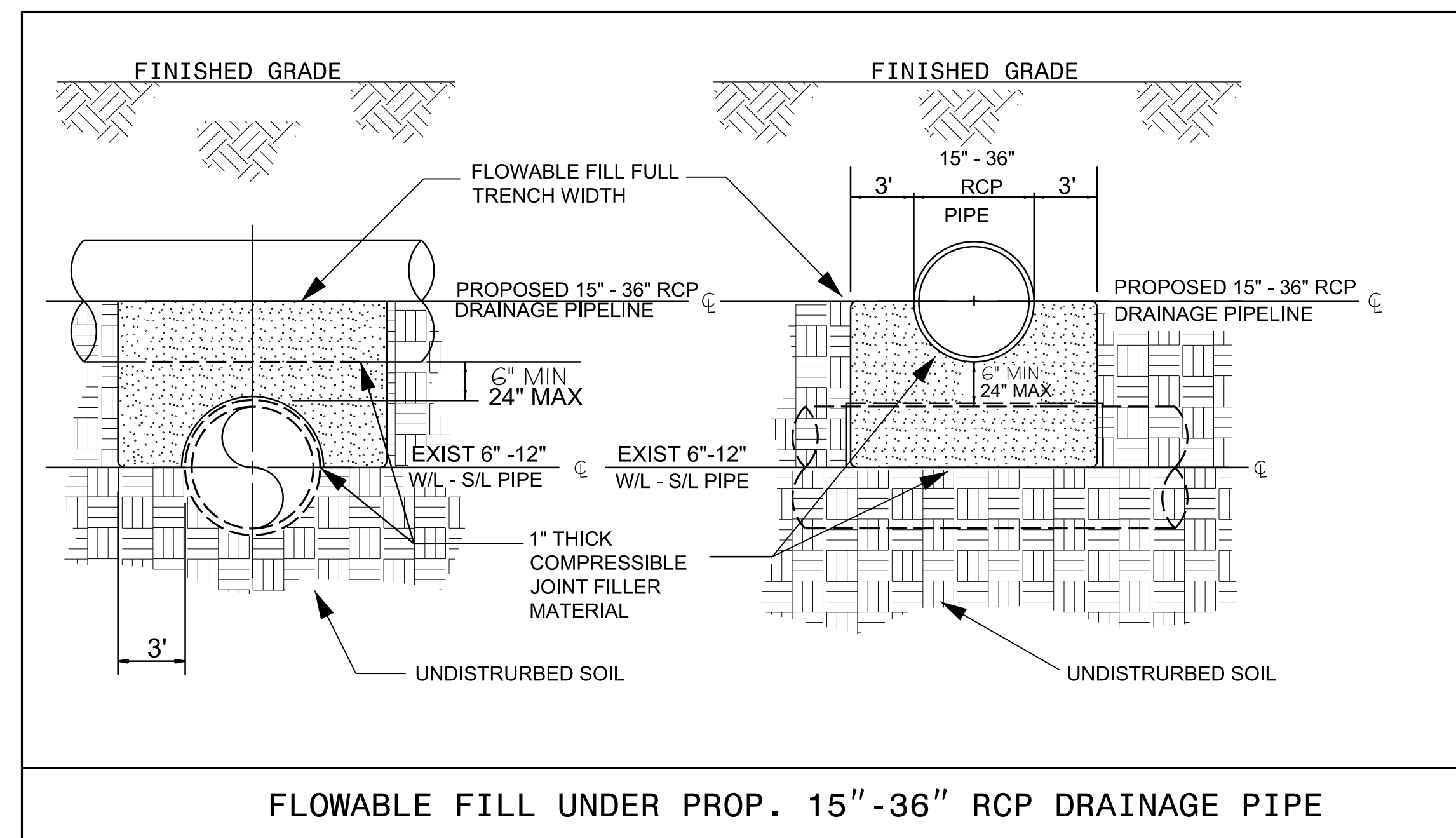
PROJECT TYPICAL DETAILS

UTILITY CONSTRUCTION



**MAXIMUM TRENCH WIDTH
AT TOP OF PIPE**

NOMINAL PIPE SIZE (INCHES)	TRENCH WIDTH (INCHES)	NOMINAL PIPE SIZE (INCHES)	TRENCH WIDTH (INCHES)
4	28	20	44
6	30	24	48
8	32	30	54
10	34	36	60
12	36	42	66
14	38	48	72
16	40	54	78
18	42		



C:\NOV-2016_08455\PROJECTS\2016\A2016400\00_NCDOT_R-3826\Design\Utilities\Engineering\UC\Proj\NR3826-ut.dtl_UC3A_psh.dgn
 11/21/16 10:55:58 AM