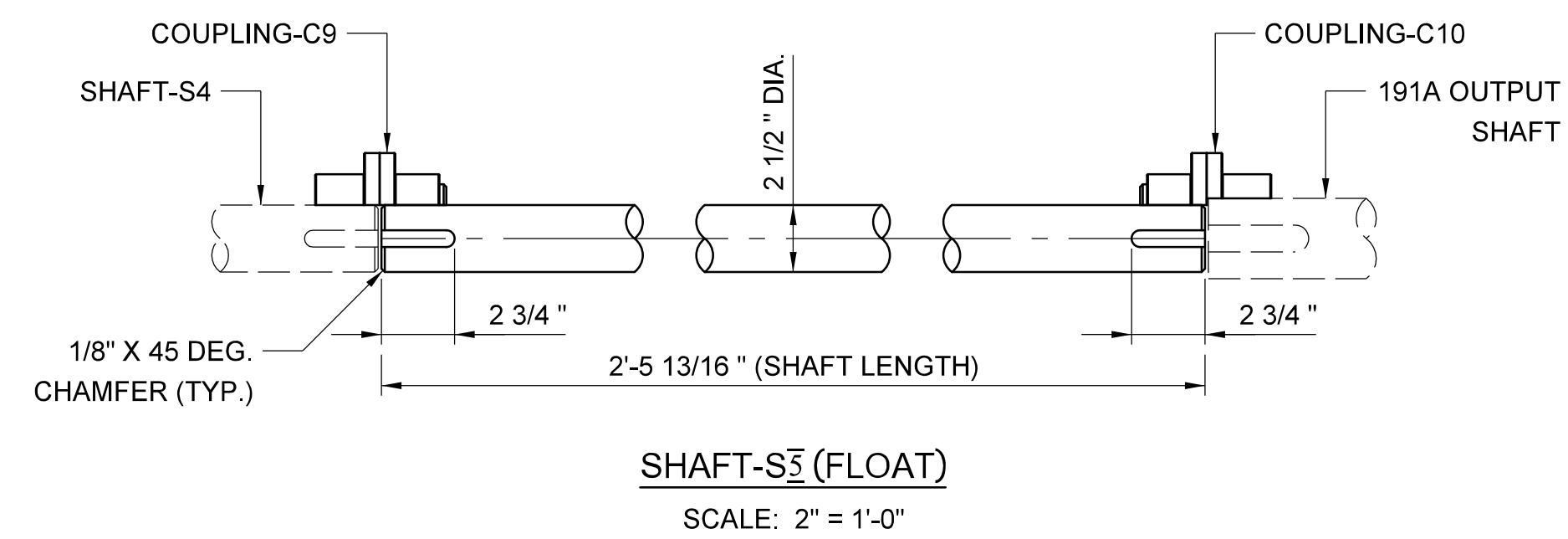
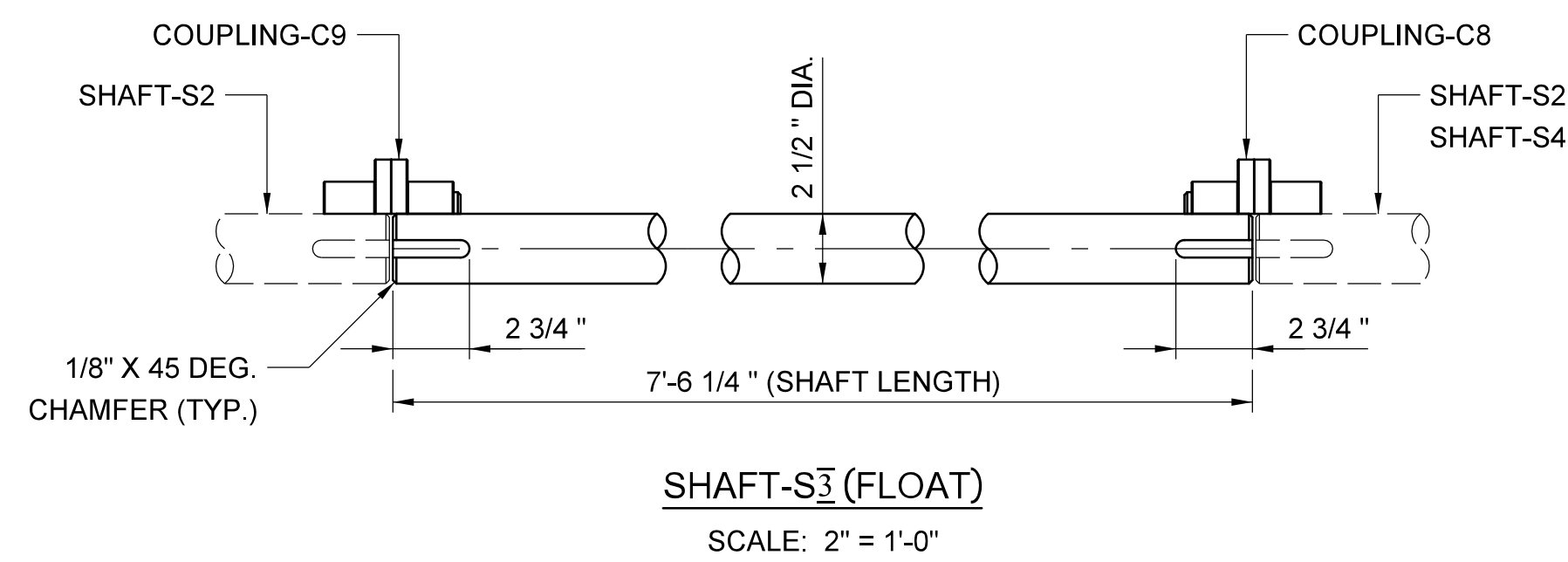
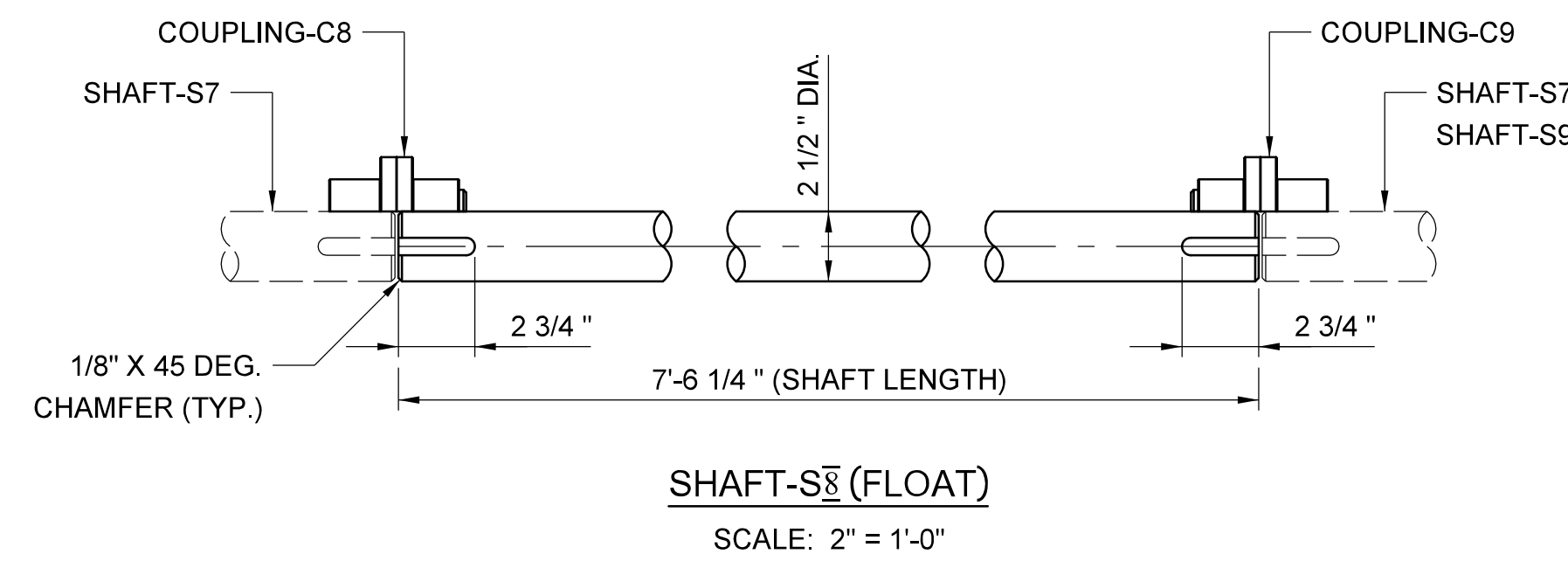
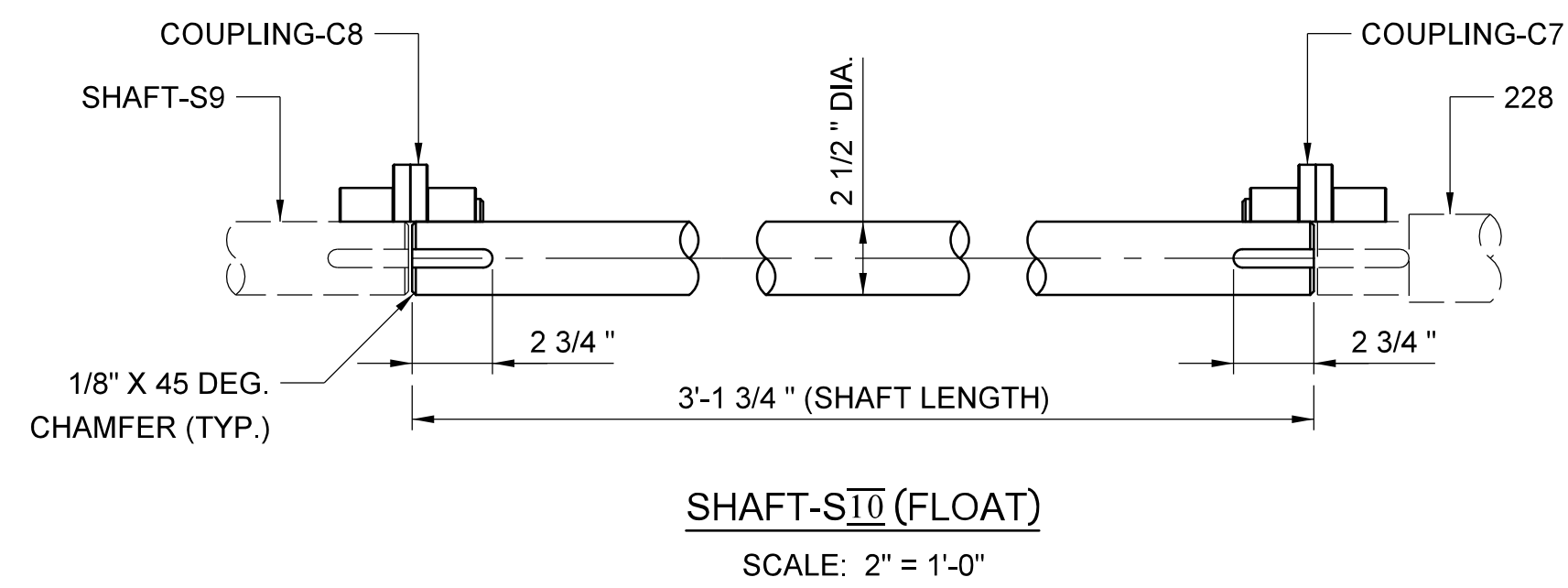
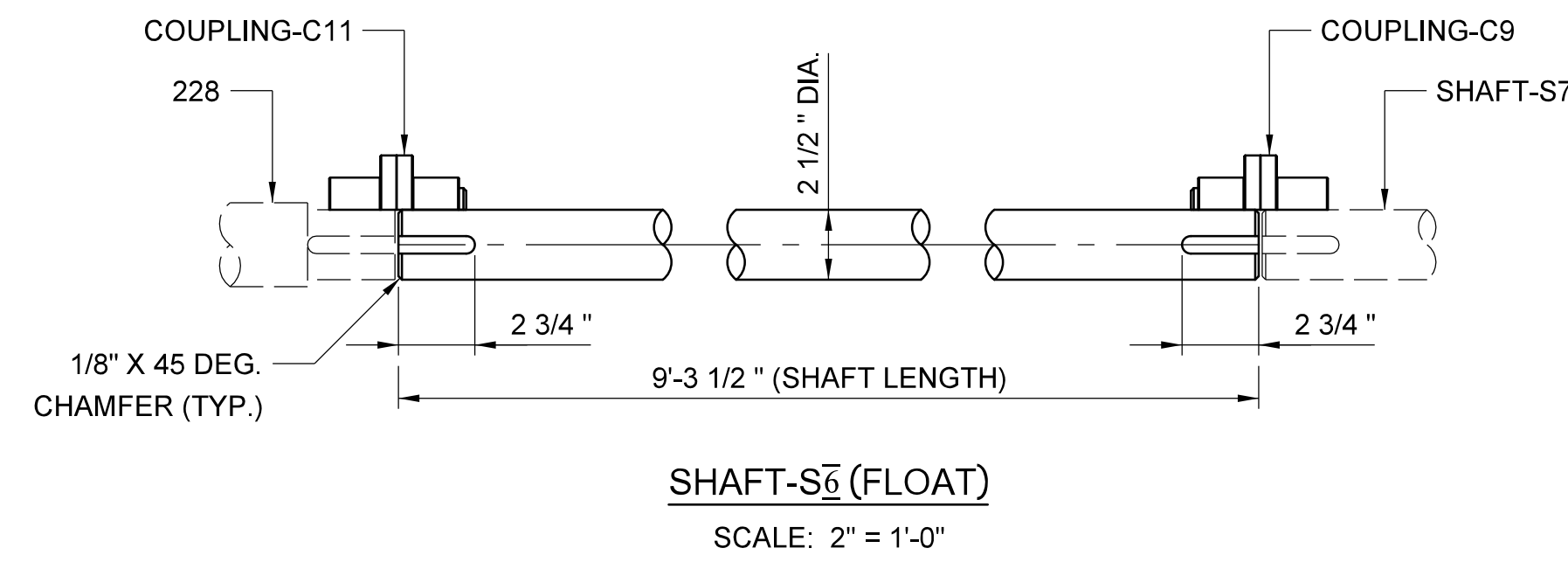
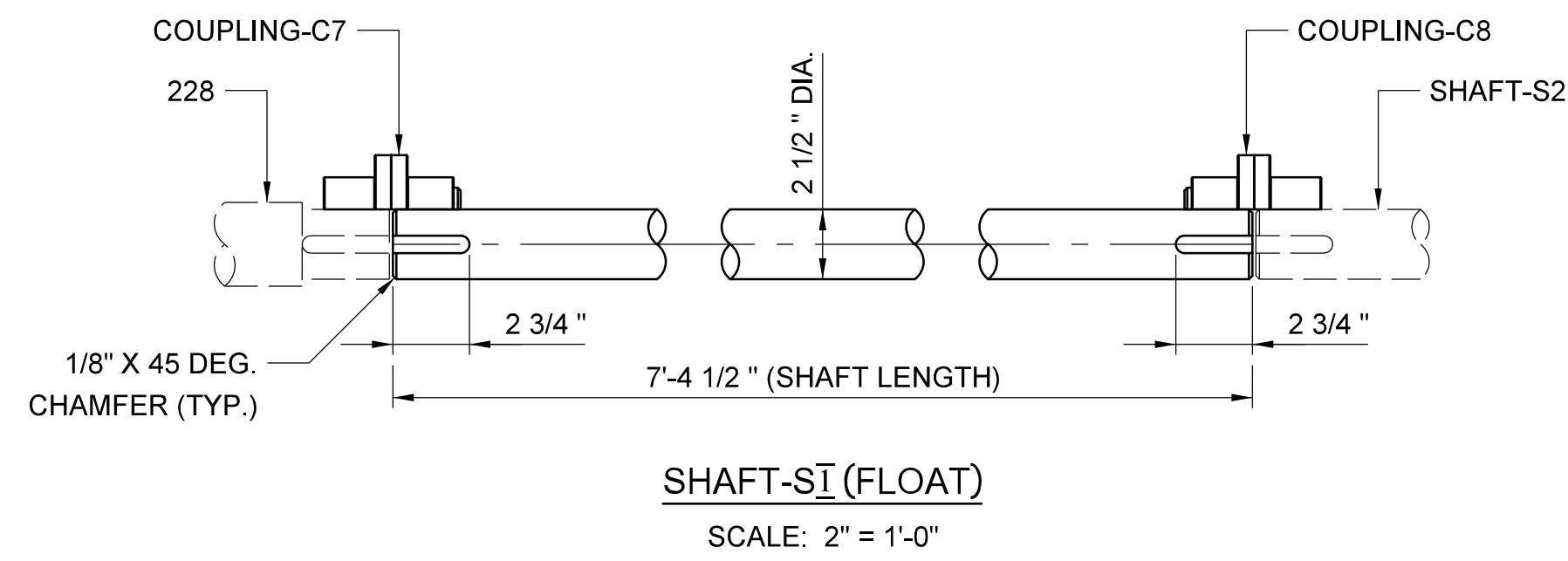


LONGITUDINAL SHAFTING REHABILITATION NOTES:

1. FOR A GENERAL DESCRIPTION OF WORK FOR EACH OF THE COMPONENTS SHOWN ON THIS SHEET, PLEASE REFER TO THE END WEDGE MACHINERY TABLES SHOWN ON SHEET NOS. M-13 AND M-14.
2. UNLESS OTHERWISE NOTED, ALL KEYWAYS ON EACH SHAFT SHALL BE IN LINE.

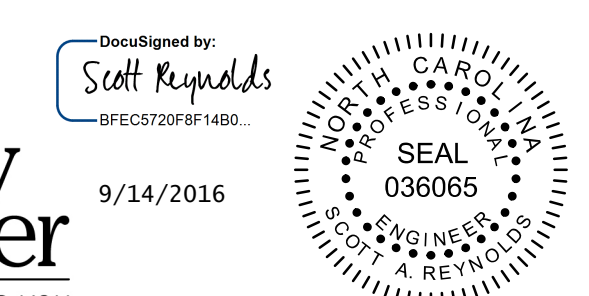


PROJECT NO. B-5936
TYRRELL COUNTY
BRIDGE NO: 7

STATE OF NORTH CAROLINA
DEPARTMENT OF TRANSPORTATION
RALEIGH

**END WEDGE MACHINERY
SHAFTING DETAILS I**

**ALLIGATOR RIVER
SWING SPAN**



DRAWN BY: JAG/MS DATE: 8/8/2016
CHECKED BY: GAF/RH DATE: 8/8/2016
DESIGN ENGINEER OF RECORD: JAG/MS DATE: 8/8/2016

DWG NUMBER: 78 TOTAL DWGS: 90

DOCUMENT NOT CONSIDERED FINAL UNLESS ALL SIGNATURES COMPLETED

REVISIONS						SHEET NO. M-11
NO.	BY:	DATE:	NO.	BY:	DATE:	
1			3			TOTAL SHEETS 23
2			4			