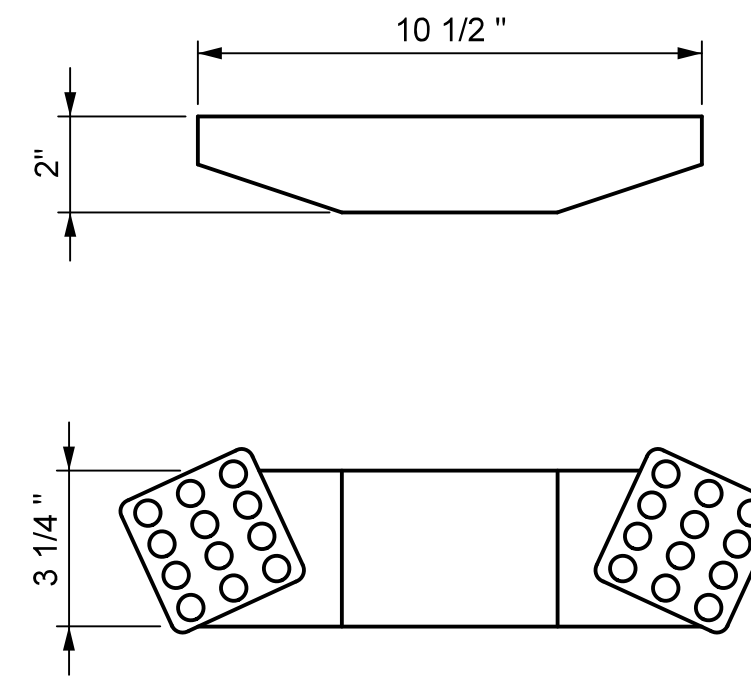
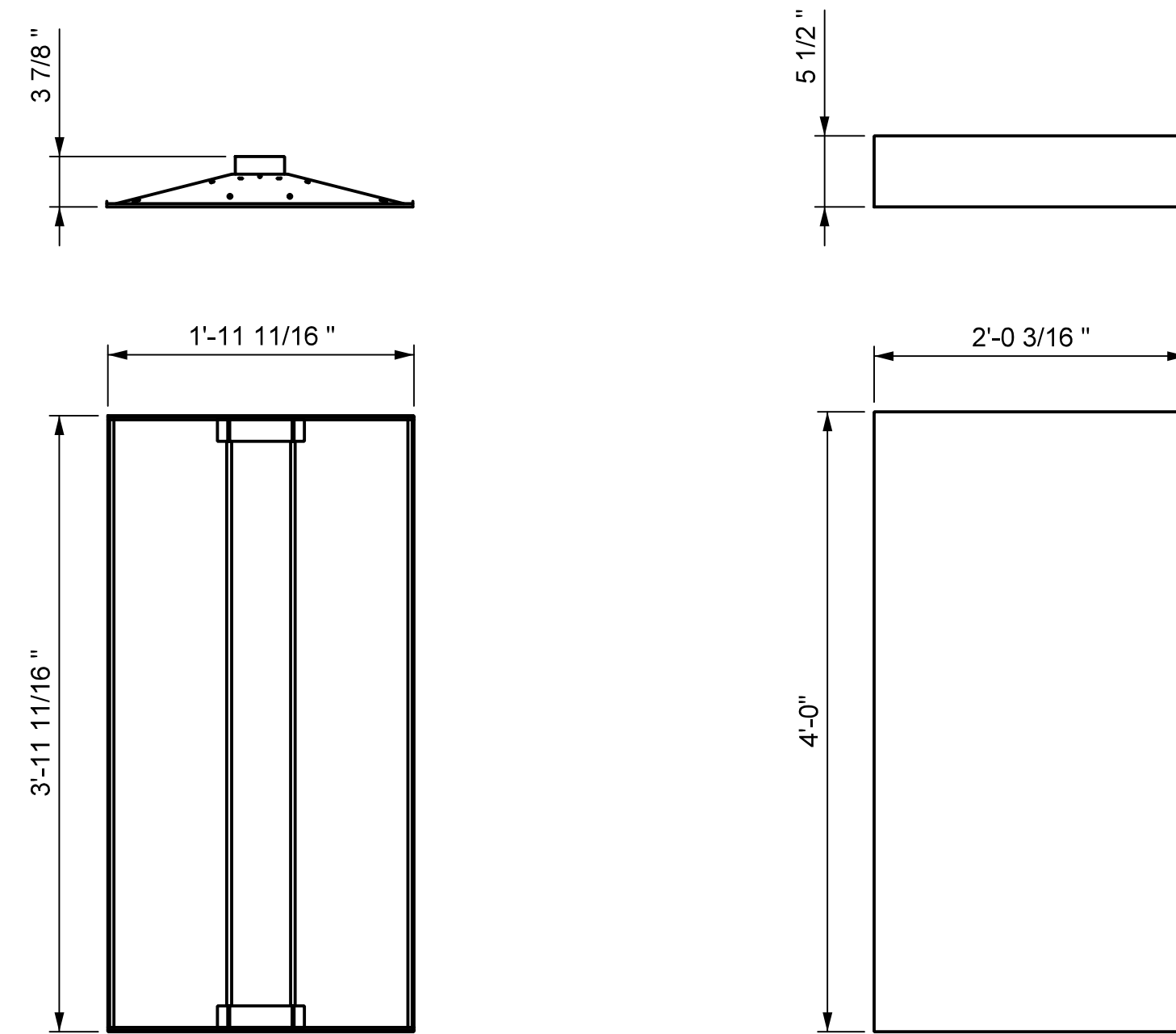


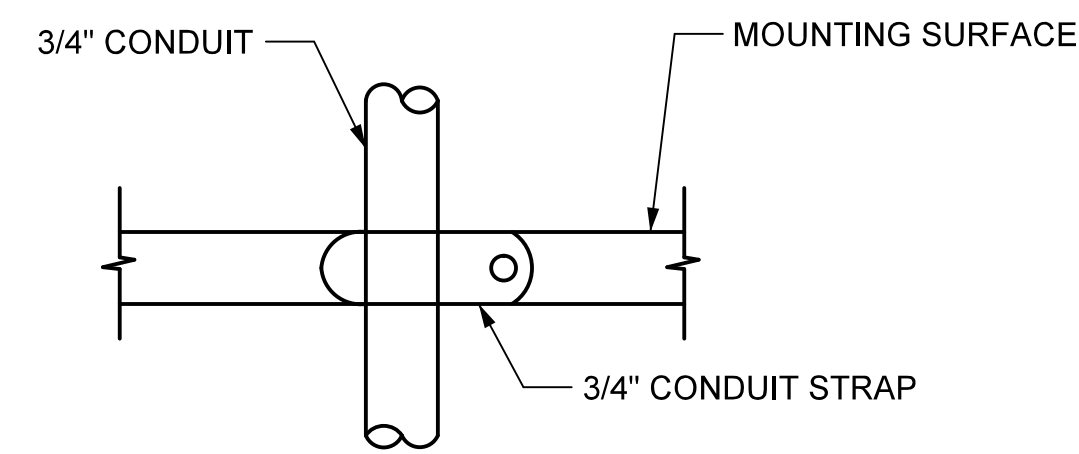
WALL-MOUNTED 150W LED LIGHT FIXTURE DETAIL
SCALE: 2" = 1'-0"



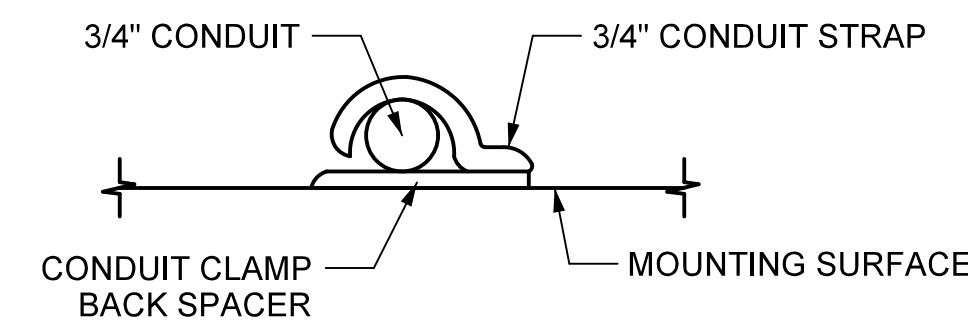
EMERGENCY LED LIGHTS
SCALE: 3" = 1'-0"



**LED LIGHT FIXTURE DETAIL (LEFT)
SURFACE MOUNT KIT DETAIL (RIGHT)**
SCALE: 1" = 1'-0"



TYPICAL 3/4\"/>



NOTES:

1. THE INDOOR CEILING MOUNTED LED LIGHT FIXTURES SHALL BE CREE LIGHTING CATALOG NO. SMK-ZR24-40L-35K-10V OR APPROVED EQUAL.
2. THE WALL MOUNTED EMERGENCY LIGHT FIXTURES SHALL BE LITHONIA LIGHTING CATALOG NO. EU2-LED-M12 OR APPROVED EQUAL.
3. THE WALL MOUNTED OUTDOOR LIGHT FIXTURES SHALL BE LITHONIA LIGHTING CATALOG NO. TWP-LED-30C-700-40K-T3M-MVOLT-DDBXD OR APPROVED EQUAL.
4. THE CONDUIT STRAP DETAIL SHOWN IS IN PARTICULAR TO 3/4" CONDUIT. ALL CONDUIT STRAPS SHALL BE SIZED ACCORDINGLY.

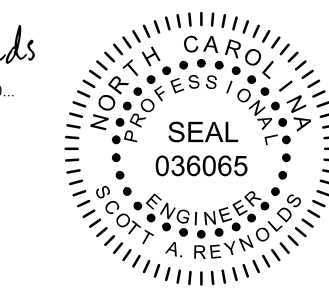
PROJECT NO. B-5936
TYRRELL COUNTY
BRIDGE NO: 7

STATE OF NORTH CAROLINA
DEPARTMENT OF TRANSPORTATION
RALEIGH
**CONDUIT SUPPORTS &
LIGHTING FIXTURES
DETAIL**
ALLIGATOR RIVER
SWING SPAN

DRAWN BY: _QIV DATE: 8/8/2016
CHECKED BY: _MJT DATE: 8/8/2016
DESIGN ENGINEER OF RECORD: _CHS DATE: 8/8/2016



DocuSigned by:
Scott Reynolds
BFECS720F8F1480...
9/14/2016



DWG NUMBER	TOTAL DWGS	DOCUMENT NOT CONSIDERED FINAL UNLESS ALL SIGNATURES COMPLETED	REVISIONS			SHEET NO.
64	90		NO	BY	DATE	E-48
			1			TOTAL SHEETS
			2			51