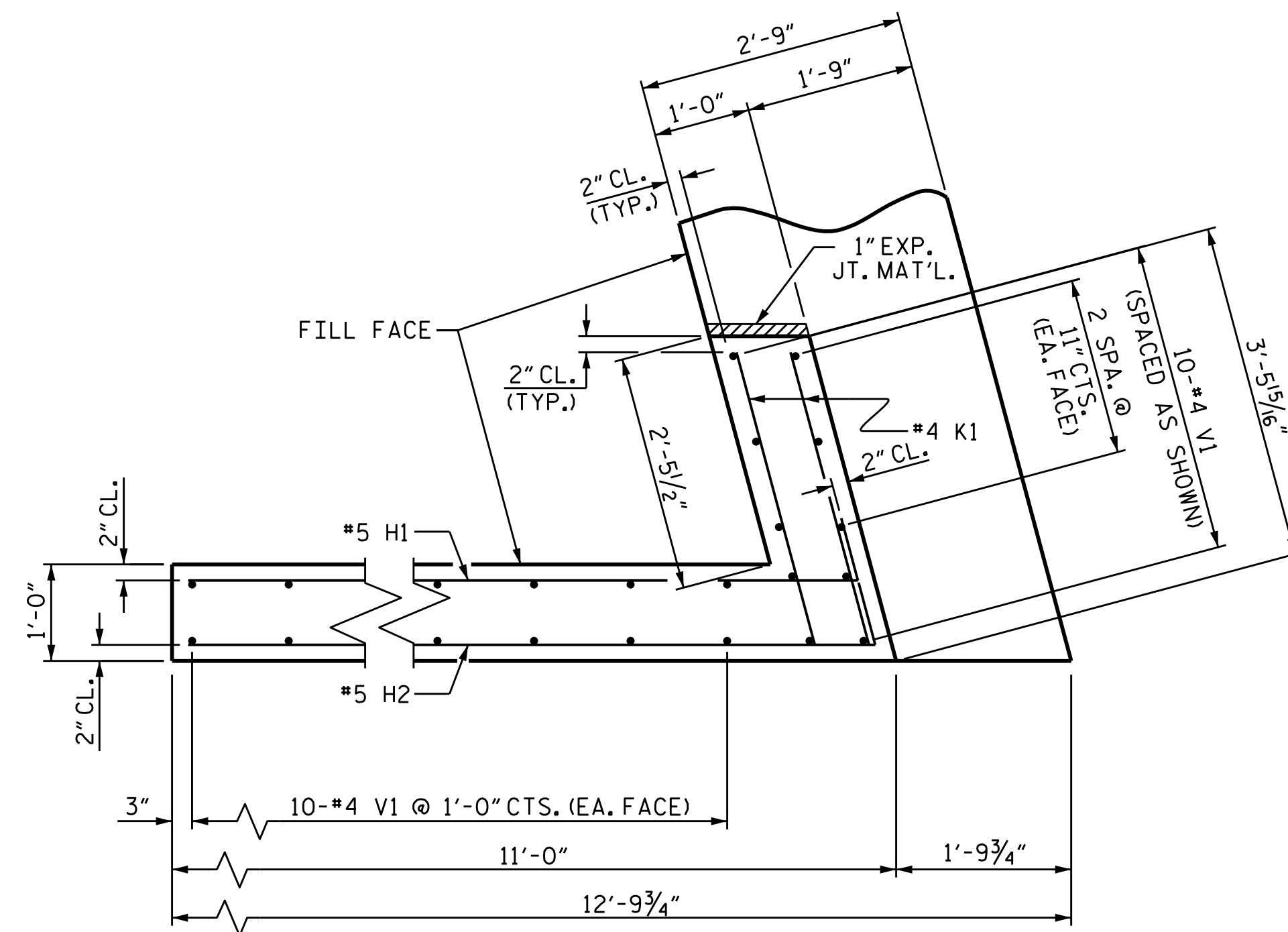
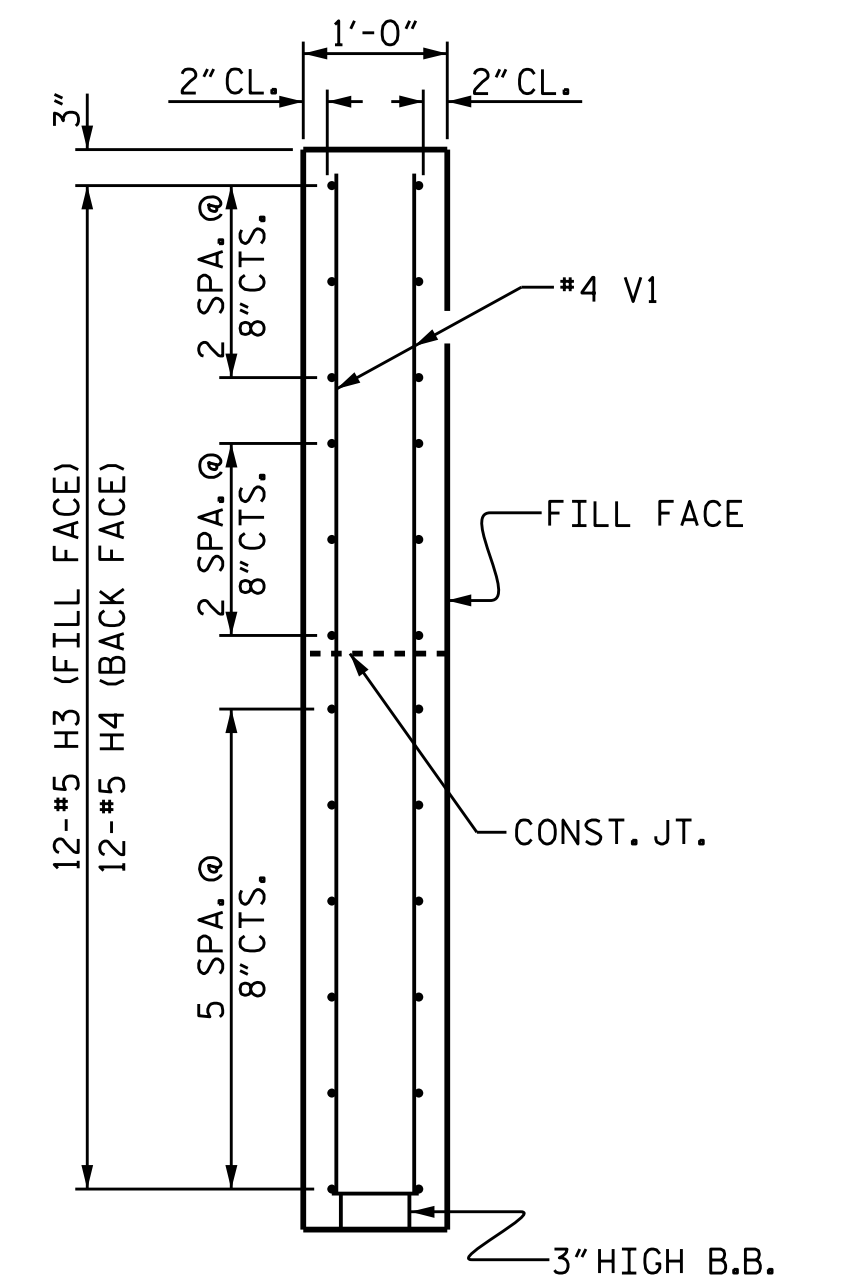


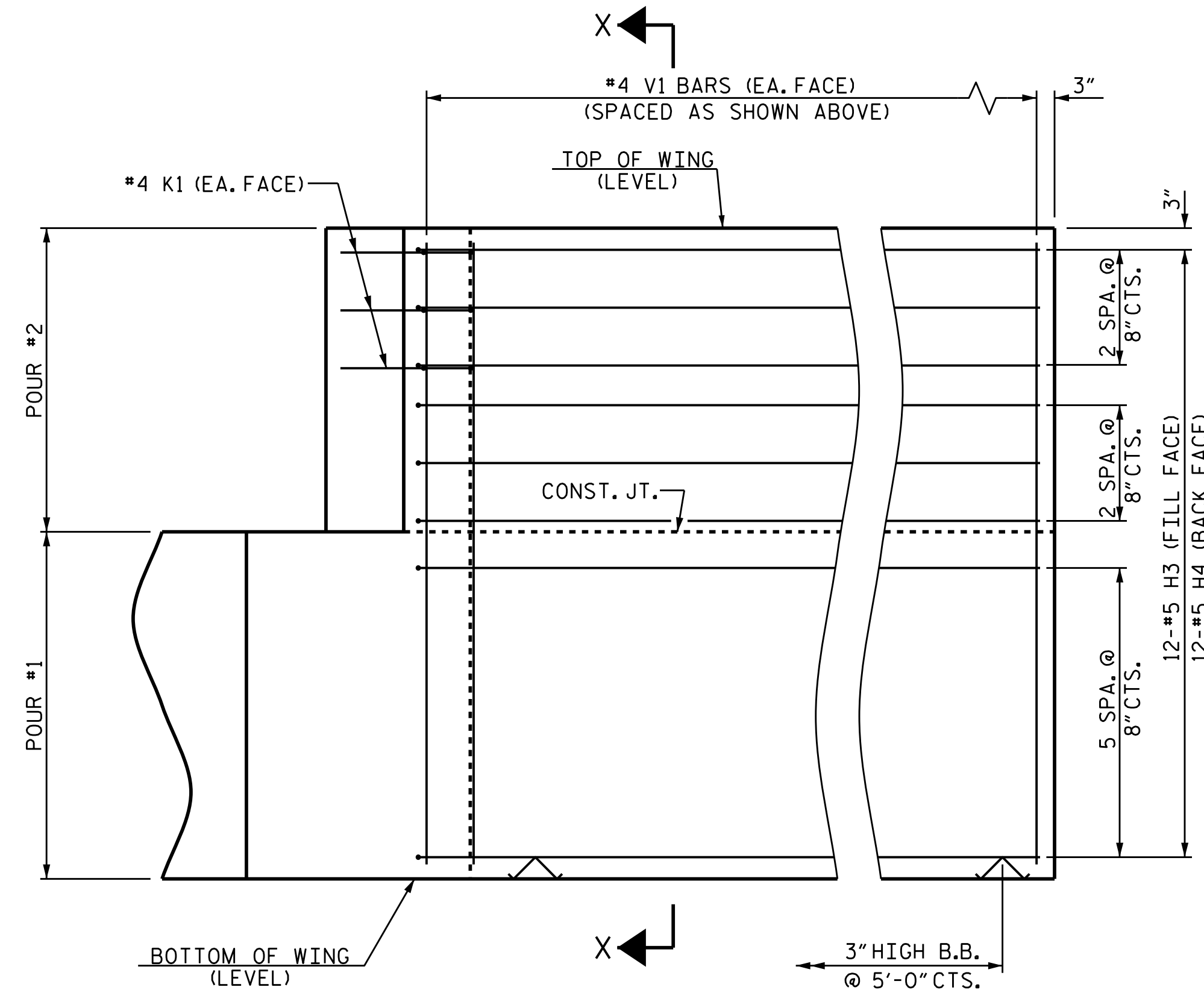
PLAN OF WING (W1)



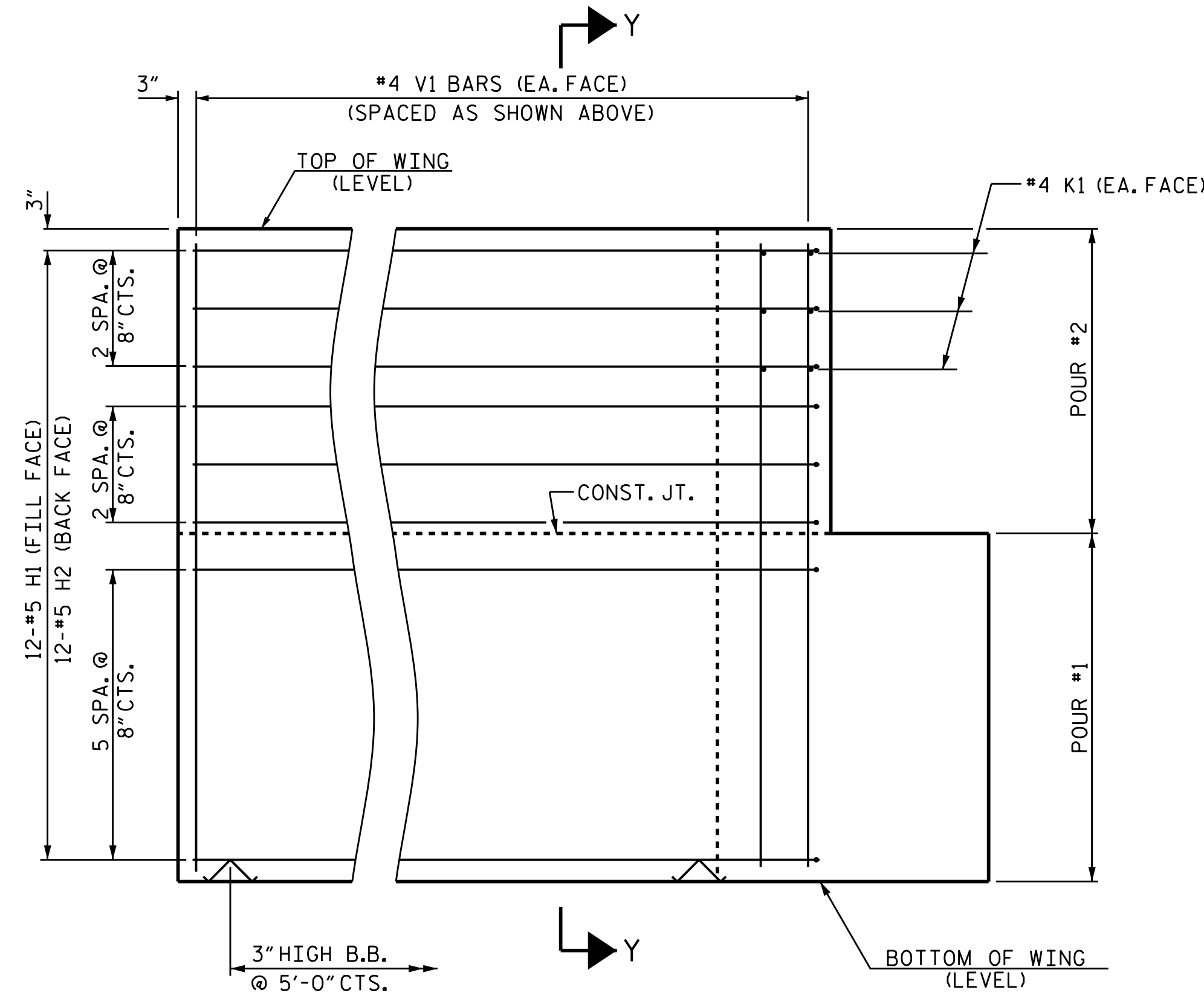
PLAN OF WING (W2)



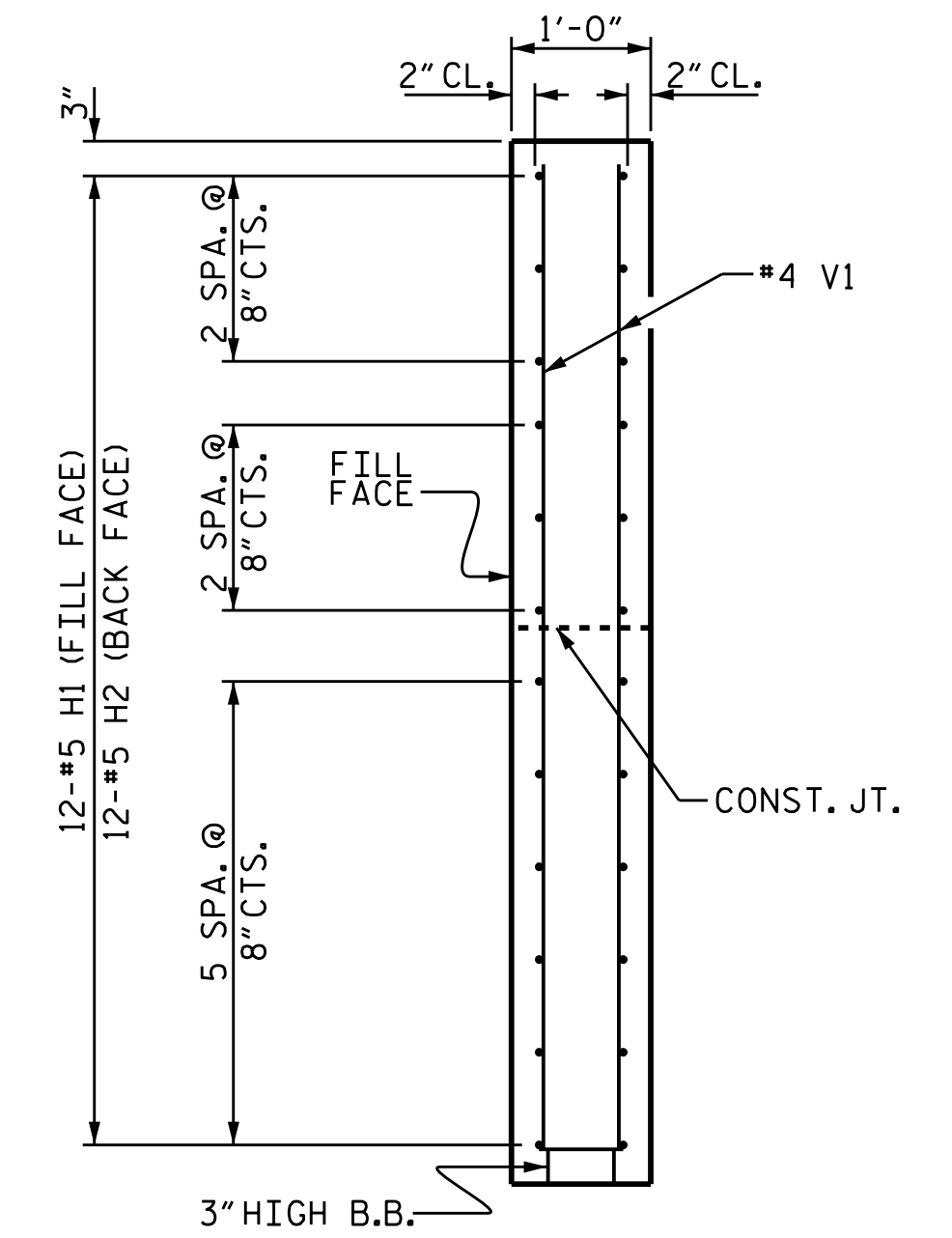
SECTION X-X



ELEVATION OF WING (W1)



ELEVATION OF WING (W2)



SECTION Y-Y

PROJECT NO. B-4814
 SAMPSON COUNTY
 STATION: 21+15.00 -L-

SHEET 3 OF 4

STATE OF NORTH CAROLINA
 DEPARTMENT OF TRANSPORTATION
 RALEIGH

SUBSTRUCTURE
 END BENT
 WING DETAILS



10/7/2016

Marshall G. Check Jr.
 5549 DEBRA318405

DOCUMENT NOT CONSIDERED
 FINAL UNLESS ALL
 SIGNATURES COMPLETED

REVISIONS						SHEET NO.
NO.	BY:	DATE:	NO.	BY:	DATE:	TOTAL SHEETS
1			3			S3-13
2			4			46

ASSEMBLED BY : R. CAREATHERS/MP DATE : 6/4/15
 CHECKED BY : M.D.PISO DATE : 6/25/15
 DRAWN BY : WJH 12/11 REV. 4/15 MAA/TMG
 CHECKED BY : AAC 12/11

WING DETAILS