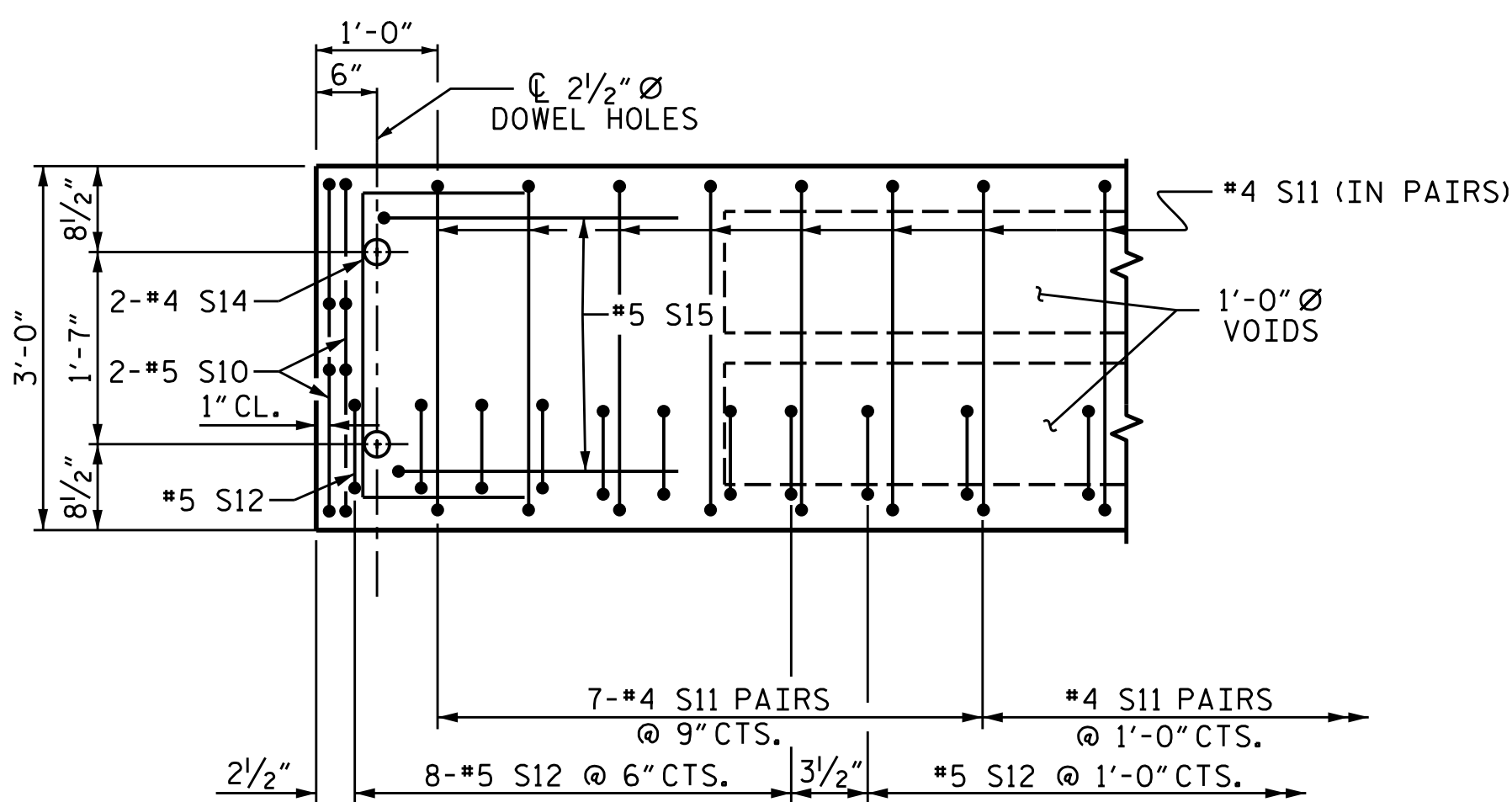
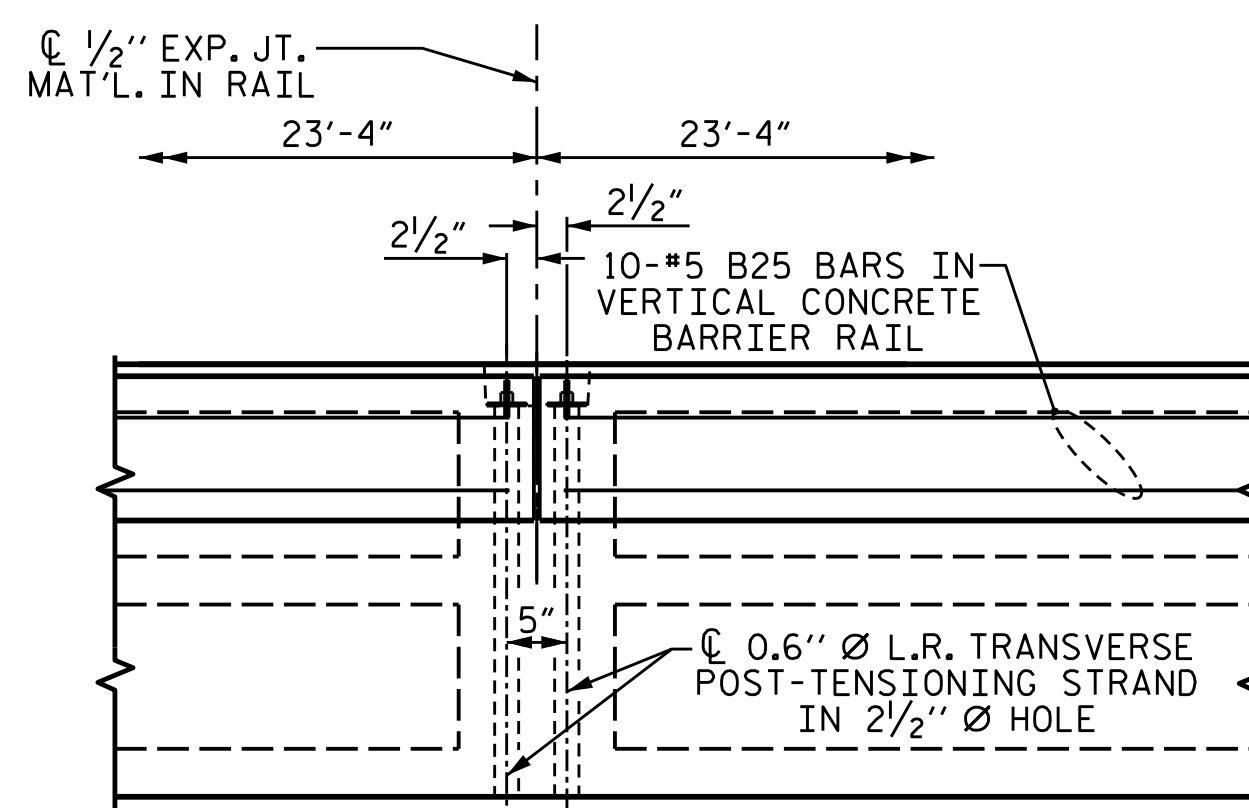


PLAN OF UNIT



DETAIL "A"



DETAIL "B"

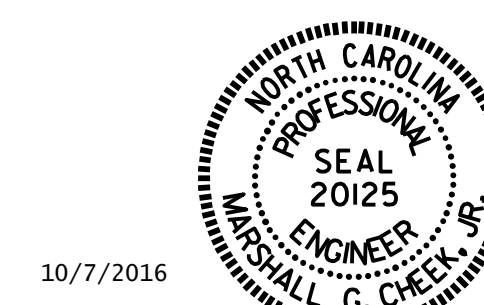
#4 S11 BARS MAY BE SHIFTED AS NECESSARY TO MAINTAIN 1" CLEAR TO GROUDED RECESS AND 2 1/2" Ø TRANSVERSE POST-TENSIONING STRAND HOLES

PROJECT NO. B-4814  
SAMPSON COUNTY  
STATION: 14+39.00 -L-

SHEET 2 OF 3

STATE OF NORTH CAROLINA  
DEPARTMENT OF TRANSPORTATION  
RALEIGH

PLAN OF 70' UNIT  
27'-10" CLEAR ROADWAY  
90°-00'-00" SKEW



10/7/2016

Marshall G. Cheek Jr.  
65490EEBA38405

ASSEMBLED BY: R. CAREATHERS/MP DATE: 5/29/15  
CHECKED BY: M. PISO DATE: 6/9/15  
DRAWN BY: MAA 6/10  
CHECKED BY: MKT 7/10  
REV. 12/5/11 MAA/AAC  
REV. 8/14 MAA/TMG

(TYPICAL EACH END OF UNIT)  
NOTE: EXTERIOR UNIT SHOWN - INTERIOR  
UNIT SIMILAR EXCEPT OMIT #5 S12 BARS.

DOCUMENT NOT CONSIDERED  
FINAL UNLESS ALL  
SIGNATURES COMPLETED

REVISIONS						SHEET NO.
NO.	BY:	DATE:	NO.	BY:	DATE:	S1-6
1			3			TOTAL SHEETS 46
2			4			

STR. #1