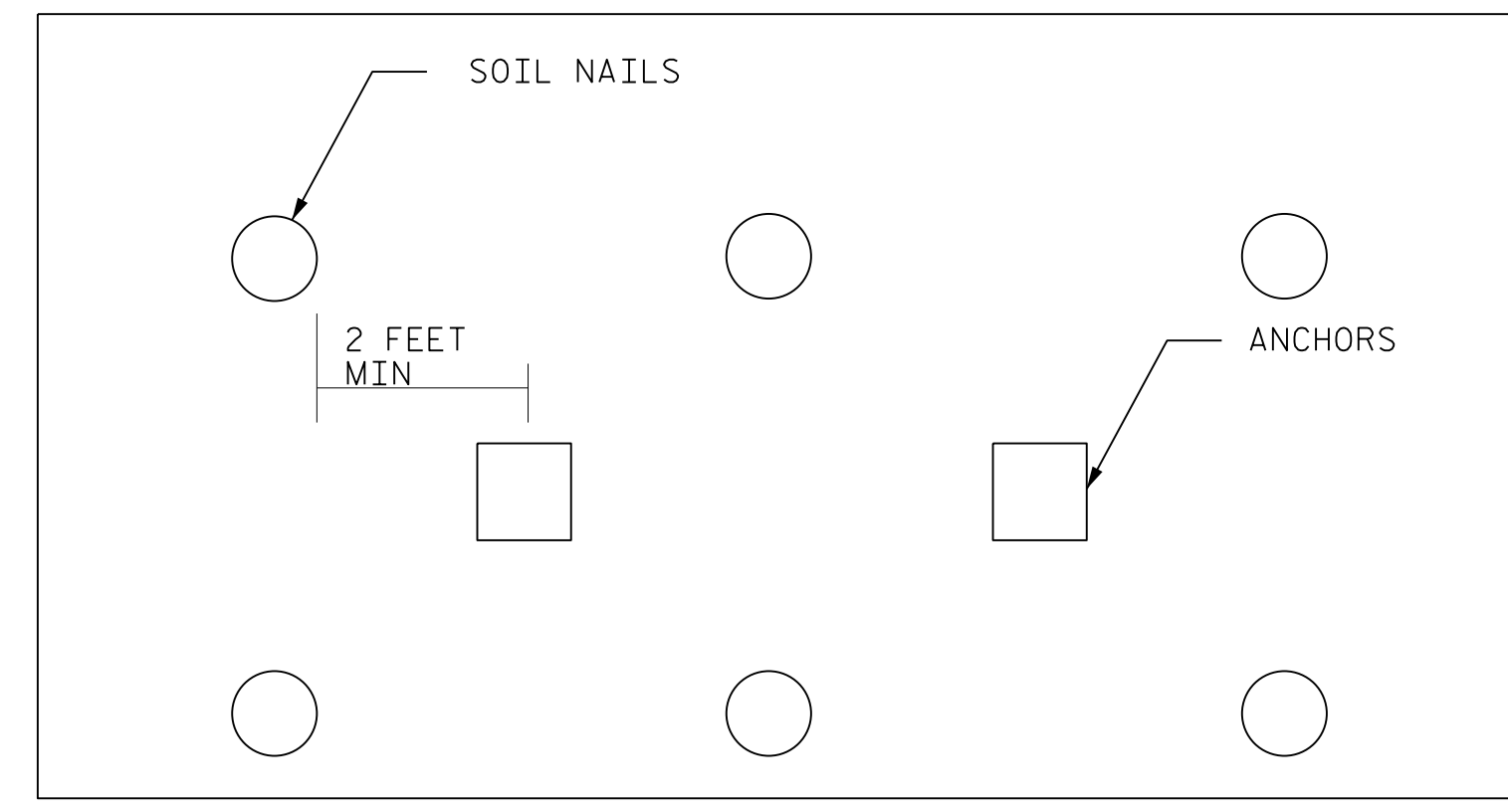
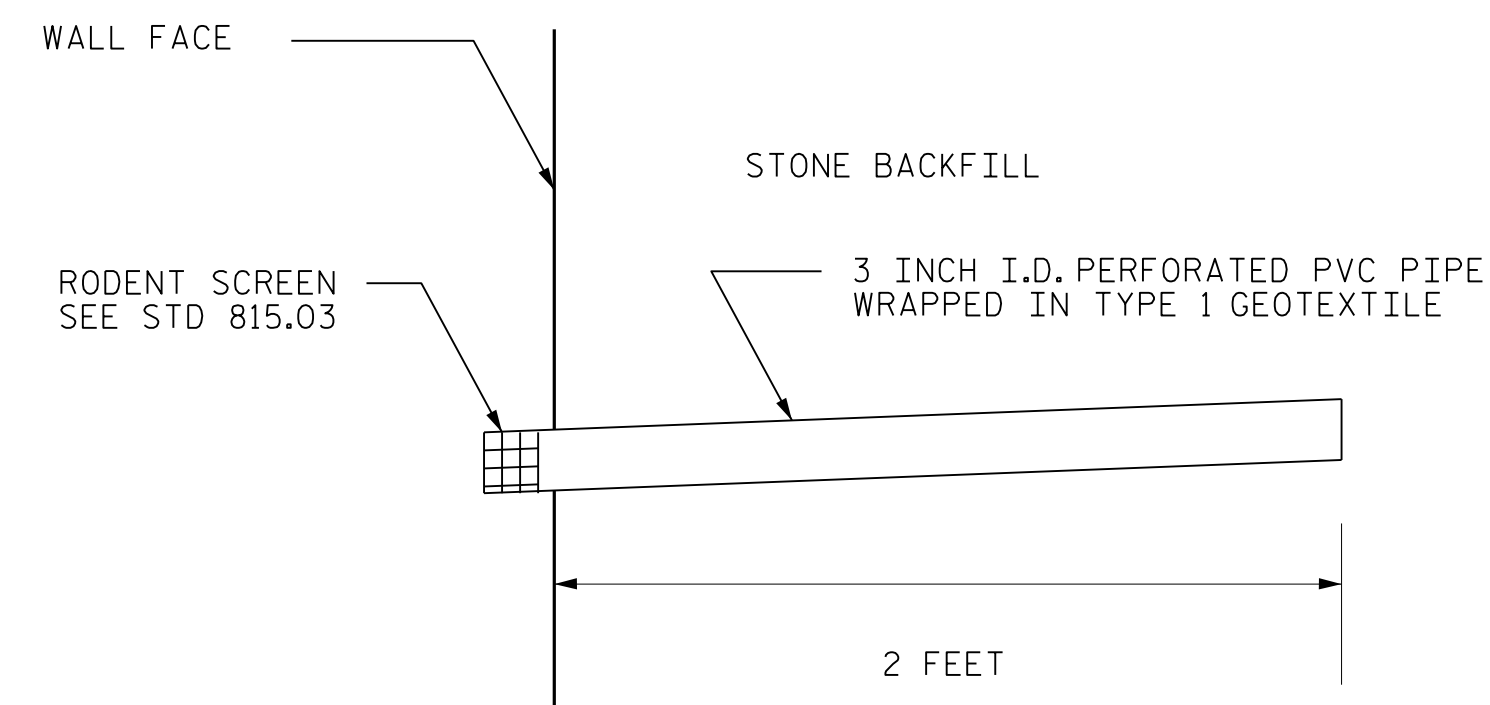


**ANCHORED WALL ELEVATION VIEW**  
(BOTTOM OF WALL NOT SHOWN)

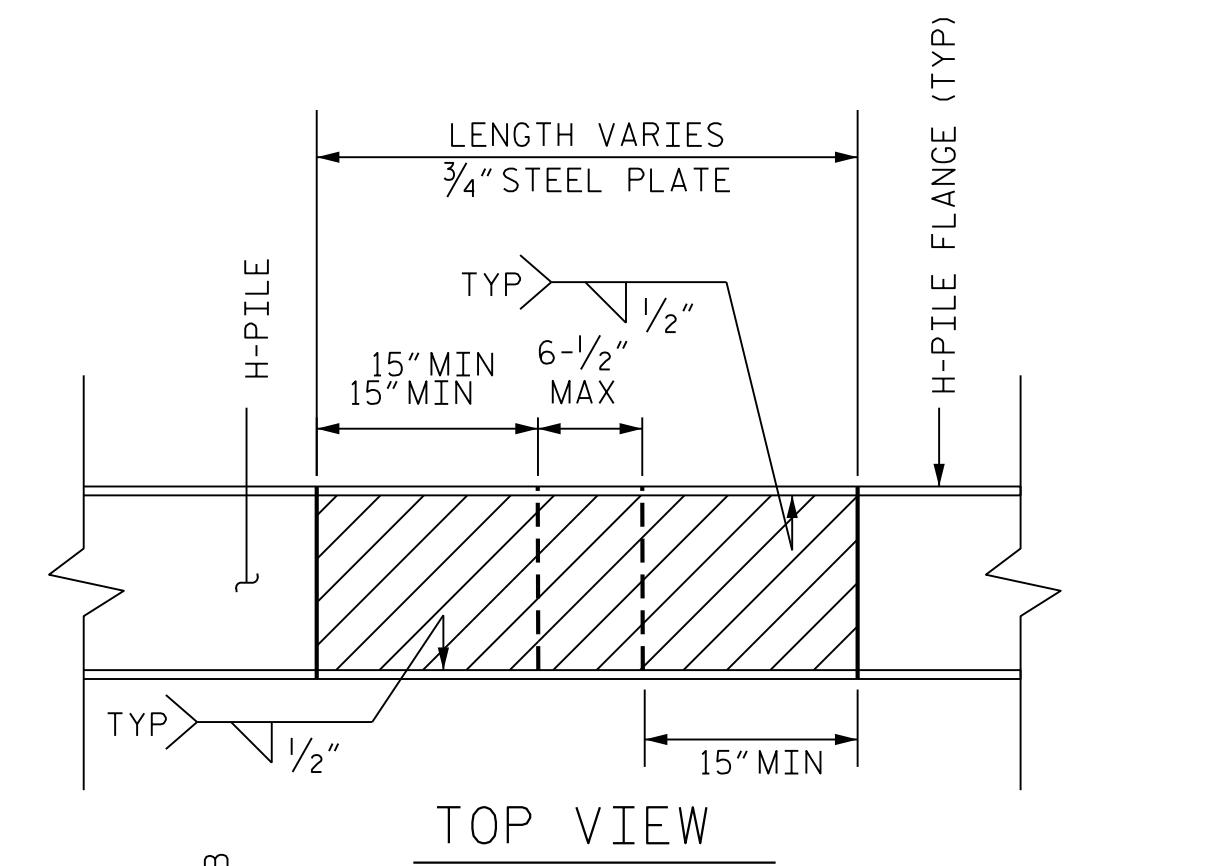


**ANCHOR LOCATIONS**

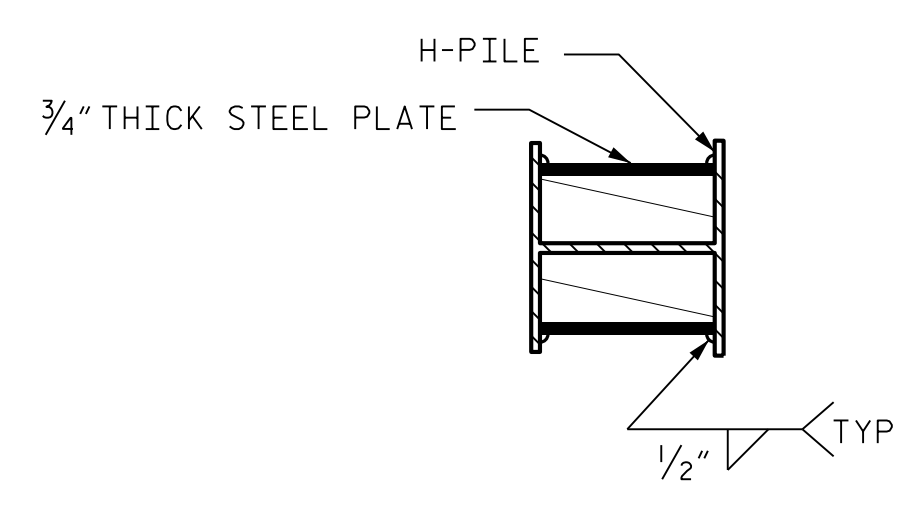


NOTE: SIZE WEEP HOLE TO ENSURE TIGHT FIT WITH PERFORATED PIPE

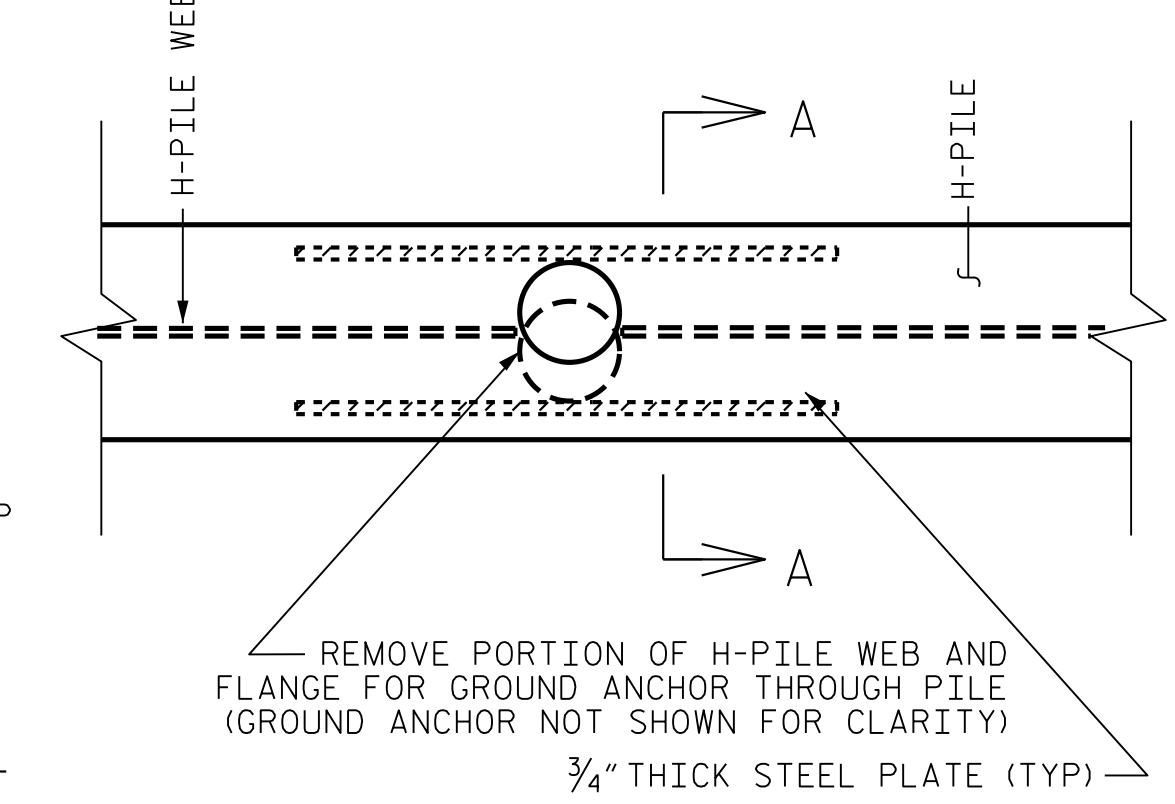
**WEEP HOLE DETAIL**  
FOR PANELS AND SHEET PILES



**TOP VIEW**



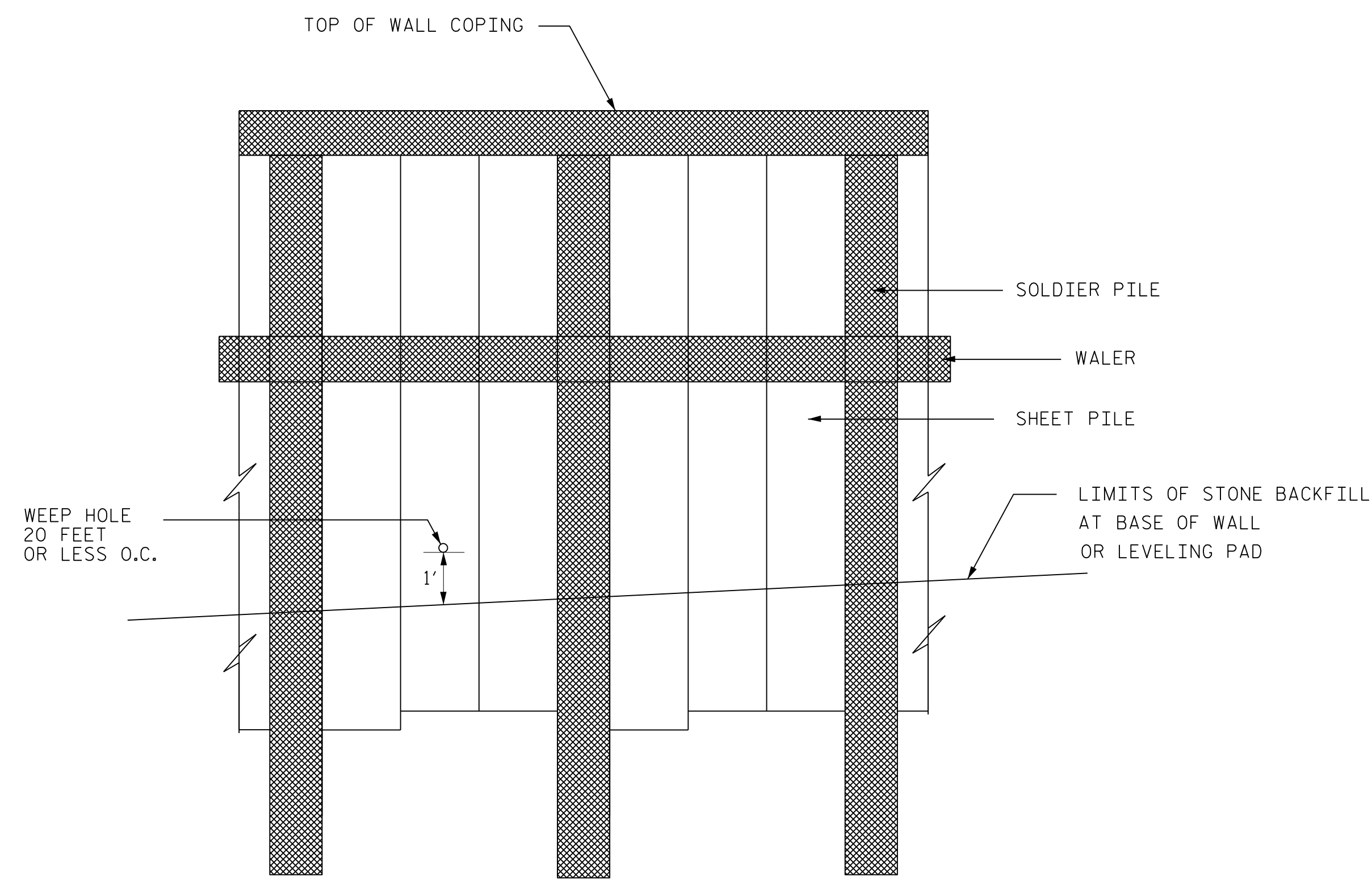
**SECTION A-A**



**FRONT VIEW**

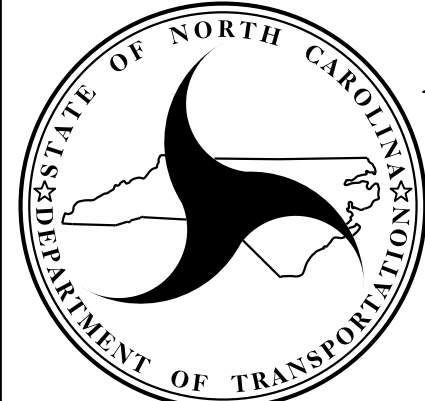
**EXAMPLE REINFORCED WEB DETAILS**

DETAILS SHOWN ARE FOR ILLUSTRATIVE PURPOSES ONLY. SUBMIT DETAILS FOR APPROVAL.



**CANTILEVERED WALL ELEVATION VIEW**  
(BOTTOM OF WALL NOT SHOWN)

PREPARED BY: RSW	DATE: 9/8/2016
REVIEWED BY: MAM/SCC	DATE: 9/8/2016



**NORTH CAROLINA  
DEPARTMENT OF TRANSPORTATION  
DIVISION OF HIGHWAYS**

**GEOTECHNICAL  
ENGINEERING UNIT**

WALL NOTES AND DETAILS					
REVISIONS					
NO.	BY	DATE	NO.	BY	DATE
1			3		
2			4		