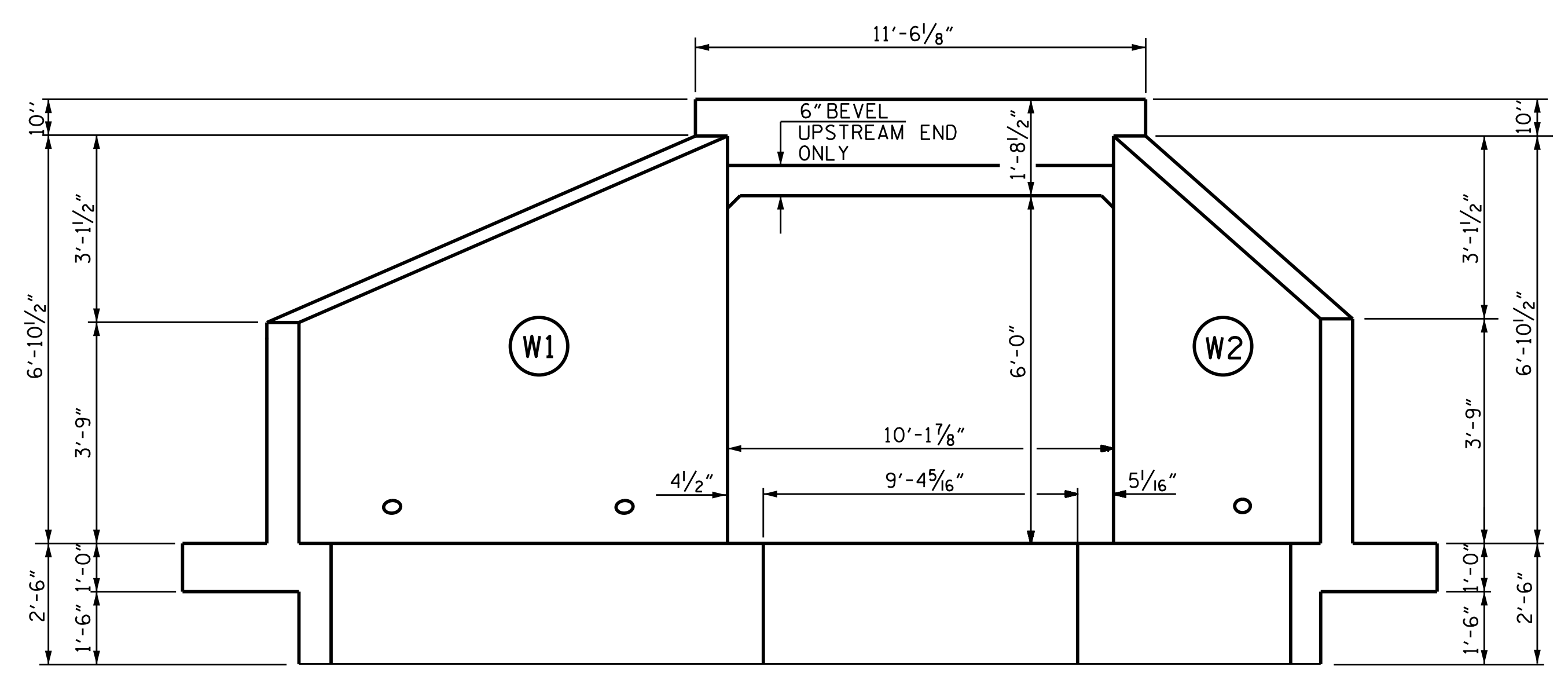
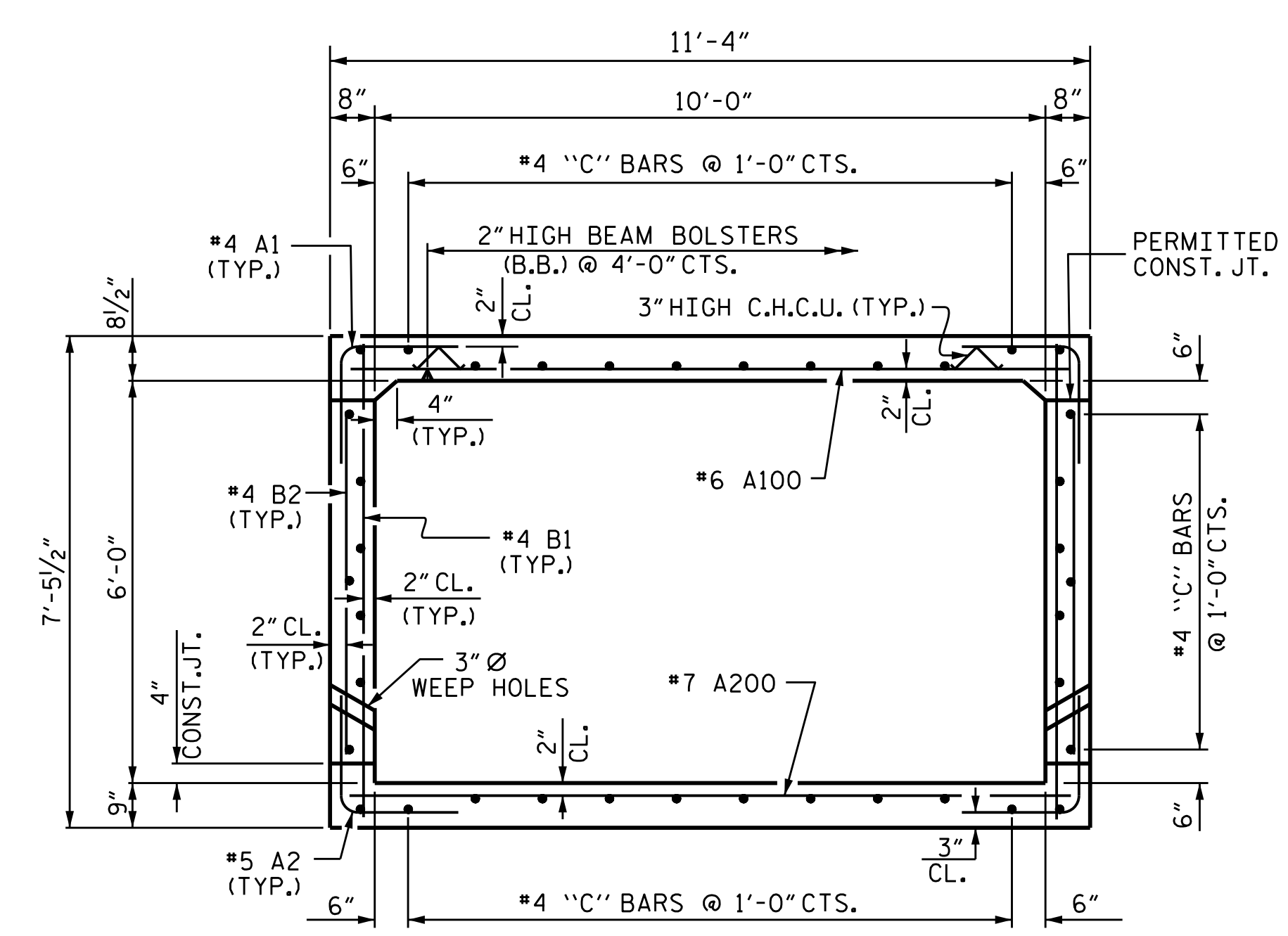


CULVERT SECTION NORMAL TO ROADWAY



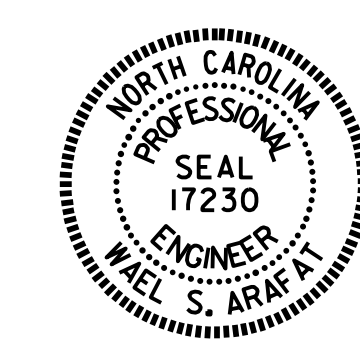
END ELEVATION NORMAL TO SKEW  
 (LOOKING DOWN STREAM)



RIGHT ANGLE SECTION OF BARREL  
 THERE ARE 38 "C" BARS IN SECTION OF BARREL

PROJECT NO. R-4753  
JACKSON COUNTY  
 STATION: 168+42.00 -L-

SHEET 2 OF 7



STATE OF NORTH CAROLINA  
 DEPARTMENT OF TRANSPORTATION  
 RALEIGH  
 SINGLE 10 FT. X 6 FT.  
 CONCRETE BOX CULVERT  
 100°-00'-00" SKEW

DRAWN BY : E.C.PHELPS/VXN DATE : 8-5-16  
 CHECKED BY : H.T. BARBOUR DATE : 8-8-16  
 DESIGN ENGINEER OF RECORD: A. M. LEE DATE : 9-16

DocuSigned by:  
 Waal Ararat  
 10/12/2016  
 DOCUMENT NOT CONSIDERED  
 FINAL UNLESS ALL  
 SIGNATURES COMPLETED

REVISIONS						SHEET NO. C-9
NO.	BY:	DATE:	NO.	BY:	DATE:	
1			3			TOTAL SHEETS 14
2			4			