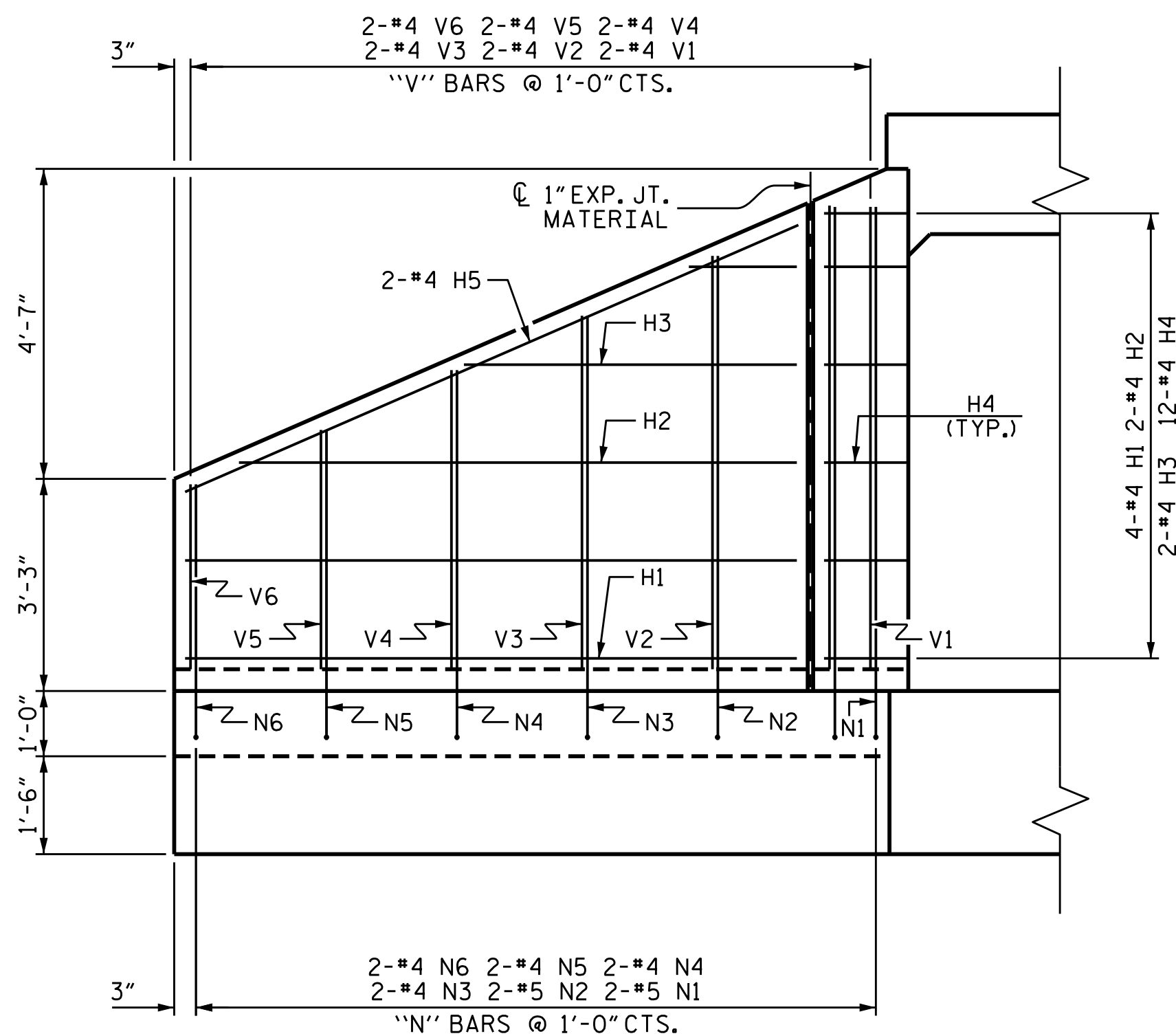
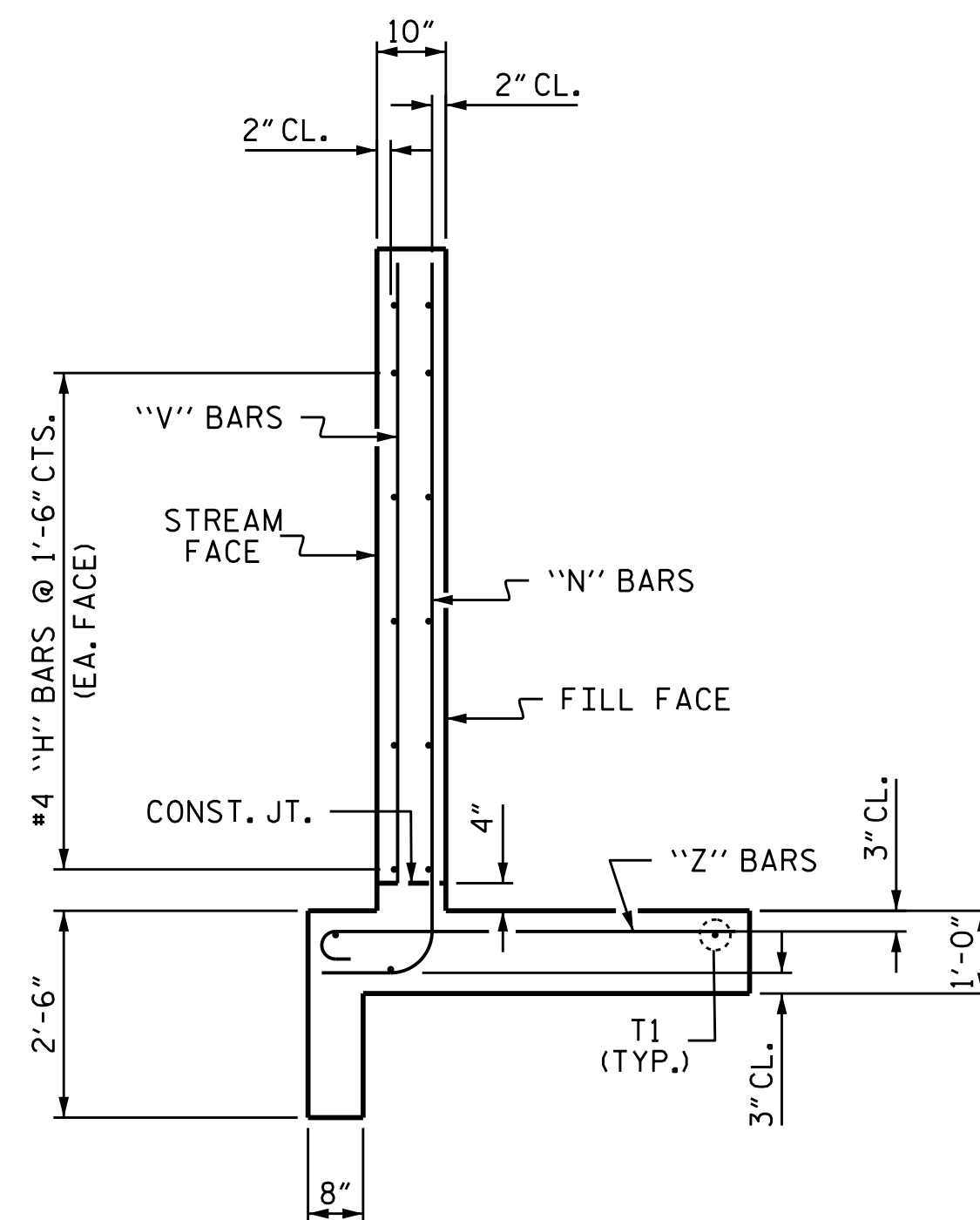


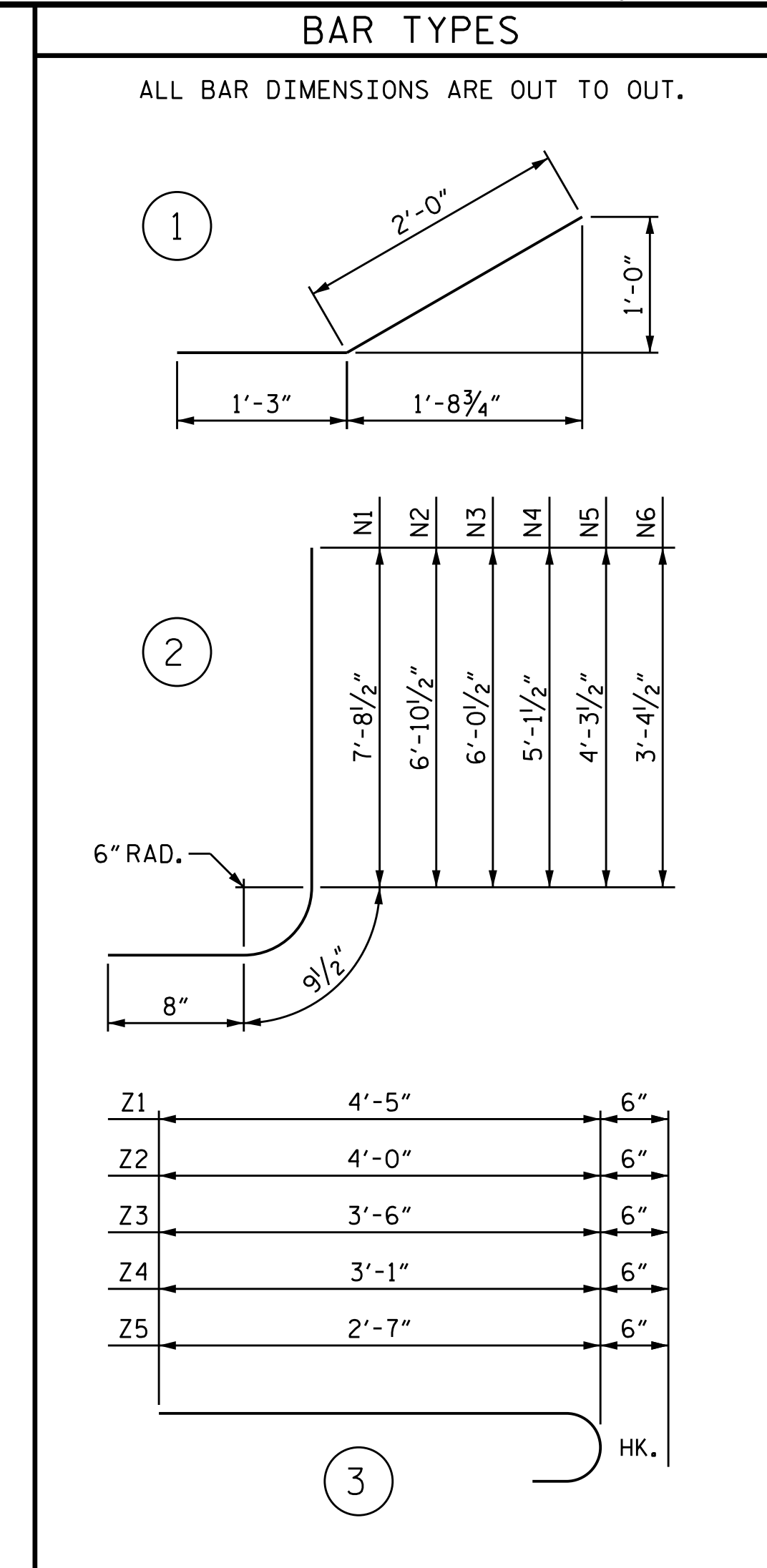
PLAN



ELEVATION



TYPICAL WING SECTION



BILL OF MATERIAL					
STAGE I OR STAGE II					
BAR NO.	SIZE	TYPE	LENGTH	WEIGHT	
H1	8	#4	STR	9'-4"	50
H2	4	#4	STR	8'-6"	23
H3	4	#4	STR	5'-1"	14
H4	24	#4	1	3'-3"	52
H5	4	#4	STR	10'-3"	27
N1	4	#5	2	9'-2"	38
N2	4	#5	2	8'-4"	35
N3	4	#4	2	7'-6"	20
N4	4	#4	2	6'-7"	18
N5	4	#4	2	5'-9"	15
N6	4	#4	2	4'-10"	13
S1	6	#6	STR	6'-0"	54
T1	6	#5	STR	11'-3"	70
V1	4	#4	STR	7'-1"	19
V2	4	#4	STR	6'-4"	17
V3	4	#4	STR	5'-5"	14
V4	4	#4	STR	4'-7"	12
V5	4	#4	STR	3'-8"	10
V6	4	#4	STR	2'-10"	8
Z1	8	#4	3	4'-11"	26
Z2	4	#4	3	4'-6"	12
Z3	4	#4	3	4'-0"	11
Z4	4	#4	3	3'-7"	10
Z5	4	#4	3	3'-1"	8
TOTAL REINFORCING STEEL FOR 2 WINGS				576	LBS.
CLASS A CONCRETE					
2 WINGS				8.6	CY
1 HEADWALL				0.5	CY
1 END CURTAIN WALL				0.5	CY
TOTAL				9.6	CY

ASSEMBLED BY : V.X. NGUYEN DATE : 8-3-16
 CHECKED BY : H.T. BARBOUR DATE : 8-8-16
 DRAWN BY : CCJ 10/99
 CHECKED BY : RWW 03/00

DocuSigned by:
 Wheel Orafit 10/12/2016
 DOCUMENT NOT CONSIDERED
 FINAL UNLESS ALL
 SIGNATURES COMPLETED



PROJECT NO. R-4753
JACKSON COUNTY
 STATION: 142+79.00 -L-

SHEET 6 OF 7
 STATE OF NORTH CAROLINA
 DEPARTMENT OF TRANSPORTATION
 RALEIGH
CONCRETE BOX CULVERT
 STAGE I OR STAGE II
 H = 7'-0" SLOPE = 2:1
 90°-00'-00" SKEW

REVISIONS						TOTAL SHEETS
NO.	BY:	DATE:	NO.	BY:	DATE:	14
1			3			
2			4			