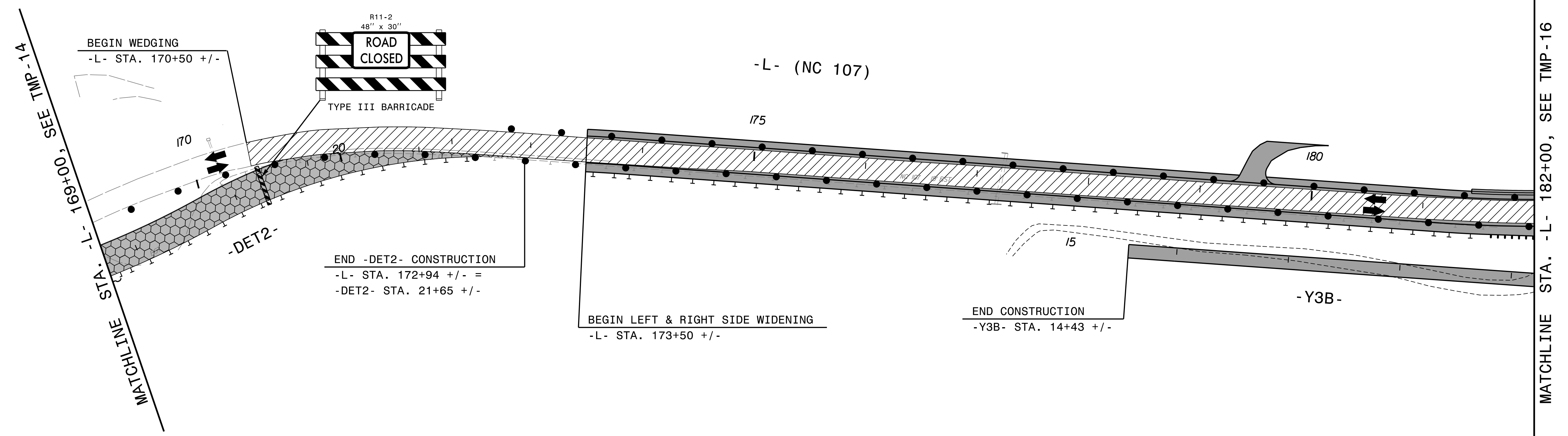
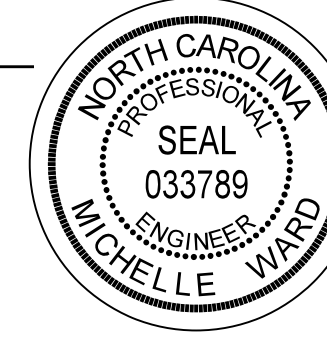



PLOT DRIVER: NCDOT_pdf_color_eng_50.plt
 USER: bscott
 PENTABLE: NCDOT_tcp.tbl
 DATE: 9/2/2016
 TIME: 2:00:54 PM
 FILE: p:\p\WAPP\PA01\SouthEast_Tampa\Documents\000166\CON0079759\CON0099518\00000000258994\6.0.CAD.BIM\6.2.Work.In.Progress\R-4753\TrafficControl\TCP\R-4753.TMP.TMP-15.dgn



APPROVED: <i>Michelle Ward</i> <small>F8385756826488</small> DATE: 9/2/2016 SEAL 		PHASE 1, STEP 1
DOCUMENT NOT CONSIDERED FINAL UNLESS ALL SIGNATURES COMPLETED		