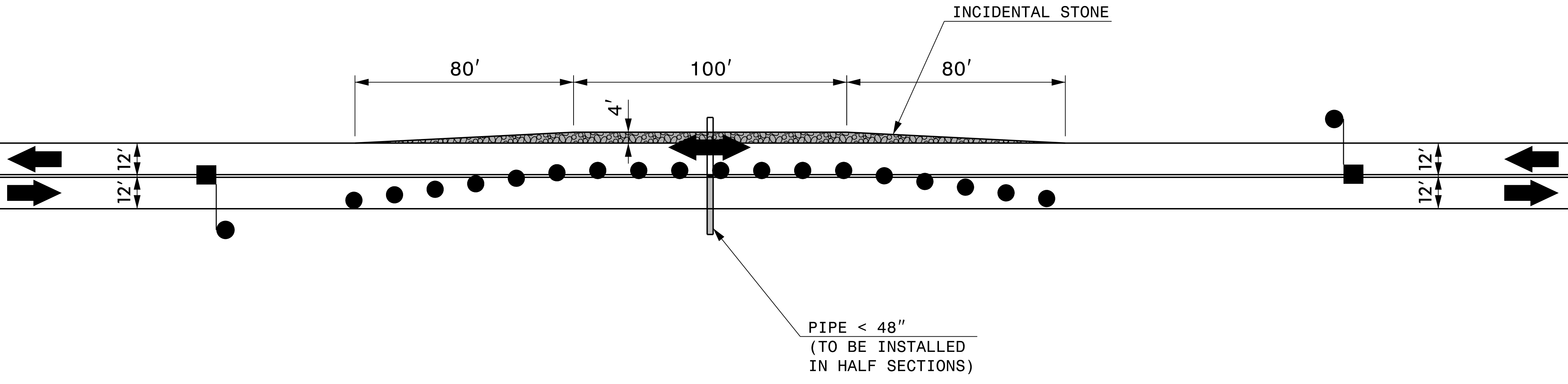


STEP 1



STEP 2

NOTES:

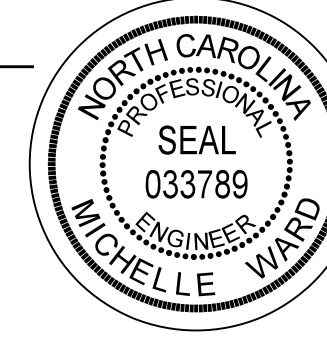
1. SEE RSD 1101.02, SHEET 1 OF 15 FOR FLAGGER AND SIGN SPACING REQUIREMENTS.
2. TRAFFIC SHALL BE RETURNED TO THE EXISTING PATTERN AT THE END OF THE WORK PERIOD.

PLOT DRIVER: NCDOT_pdf_color_eng_50.plt
 USER: BSCOTT
 FILE: p:\p\WAPP\PA01\SouthEast_Tampa\Documents\000166\CON0079759\CON0099518\00000000258994\6.0_CAD_BIM\6.2_Work_In_Progress\R-4753\TrafficControl\TCP\AR-4753_TMP_TMP-02C.dgn
 PENTABLE: NCDOT_tcp.tbl
 DATE: 9/28/2016
 TIME: 3:55:23 PM

APPROVED: *Michelle Ward*
F83857568926488

DATE: 9/28/2016

SEAL



**DOCUMENT NOT CONSIDERED FINAL
UNLESS ALL SIGNATURES COMPLETED**



**ON-SITE DETOUR
FOR OPEN-CUT
PIPE INSTALLATION**