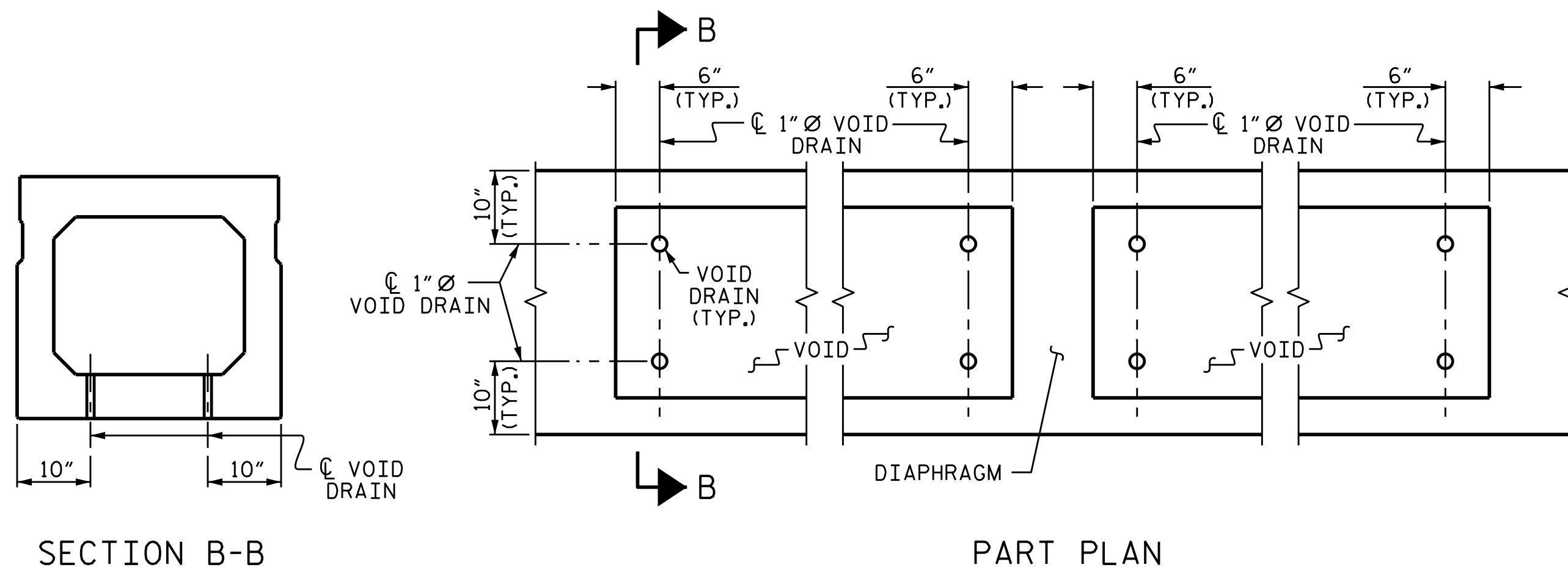


**DOUBLE DIAPHRAGM DETAILS**

#4 "S" BARS NOT SHOWN. #4 "S" BARS MAY BE SHIFTED SLIGHTLY TO CLEAR 2 1/2" Ø HOLE.

**GROUTED RECESS DETAIL AT END OF POST-TENSIONED STRANDS OF EXTERIOR BOX BEAM**



**VOID DRAIN DETAILS**

(DIMENSIONS SHOWN ARE TYPICAL FOR EACH VOID)

DEAD LOAD DEFLECTION AND CAMBER	
	3'-0" x 2'-9"
90' BOX BEAM UNIT	0.6" Ø L.R. STRAND
CAMBER (SLAB ALONE IN PLACE)	2 3/4" ↑
DEFLECTION DUE TO SUPERIMPOSED DEAD LOAD**	3/4" ↓
FINAL CAMBER	2" ↑

\*\* INCLUDES FUTURE WEARING SURFACE

DEAD LOAD DEFLECTION AND CAMBER	
	3'-0" x 2'-9"
50' BOX BEAM UNIT	0.6" Ø L.R. STRAND
CAMBER (SLAB ALONE IN PLACE)	1/2" ↑
DEFLECTION DUE TO SUPERIMPOSED DEAD LOAD**	1/8" ↓
FINAL CAMBER	3/8" ↑

\*\* INCLUDES FUTURE WEARING SURFACE

PROJECT NO. B-5398

BURKE COUNTY

STATION: 16+45.00 -L-

SHEET 6 OF 7

ASSEMBLED BY : J.M. KEPICH DATE : 02/16  
 CHECKED BY : L.M. SAMPLES DATE : 04/16  
 DRAWN BY : DGE 10/11 REV. 8/14 MAA/TMG  
 CHECKED BY : TMG 11/11

DESIGN ENGINEER OF RECORD : L.M. SAMPLES DATE : 05/16



ms consultants, inc.  
 920 Main Campus Drive  
 Suite 430  
 Raleigh, NC 27606  
 NC License Number : C-3239



DOCUMENT NOT CONSIDERED FINAL UNLESS ALL SIGNATURES COMPLETED

REVISIONS		SHEET NO.
NO.	BY:	DATE:
1		
2		
3		
4		
TOTAL SHEETS		24

STD.NO.33PCBB5\_90S