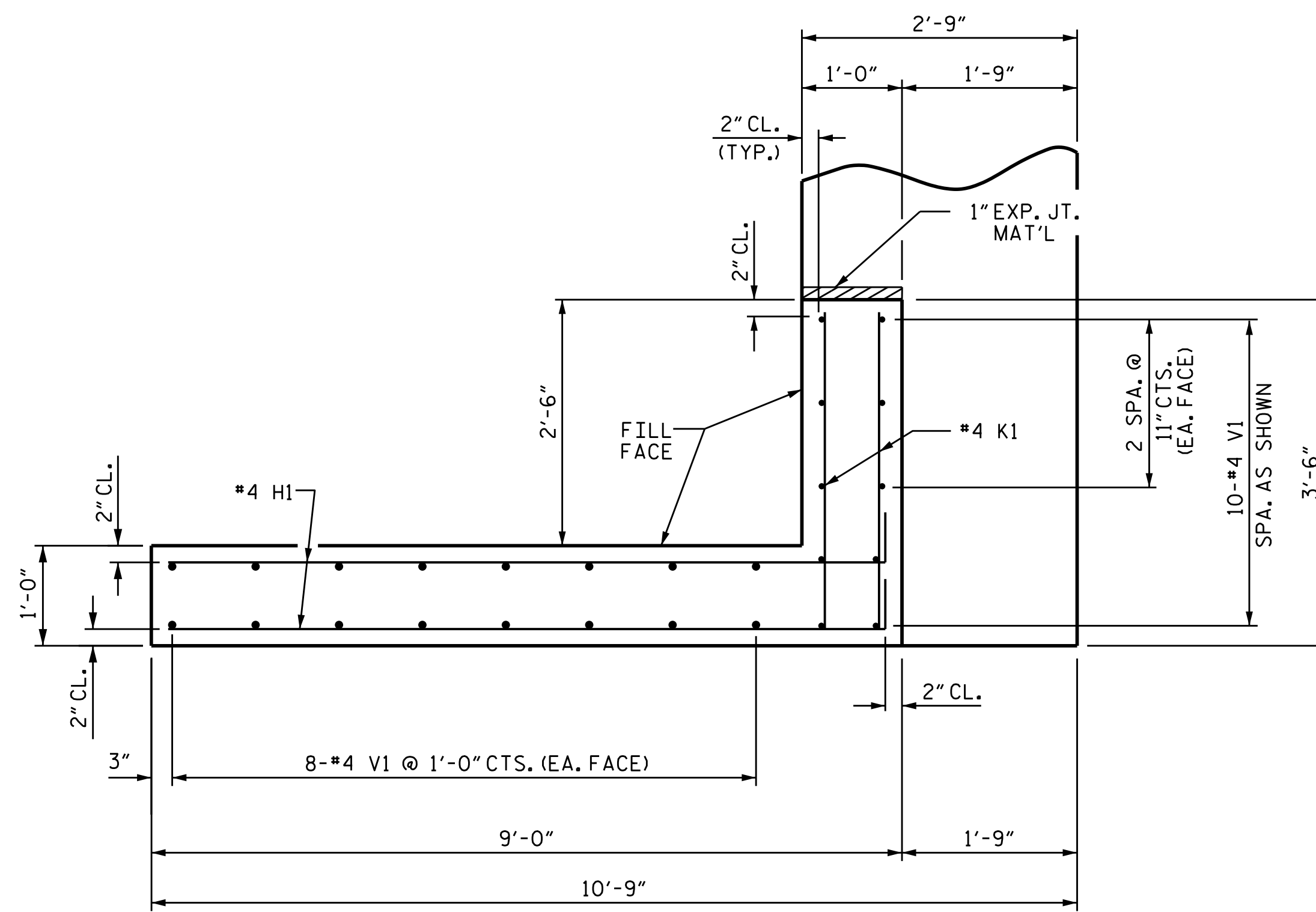
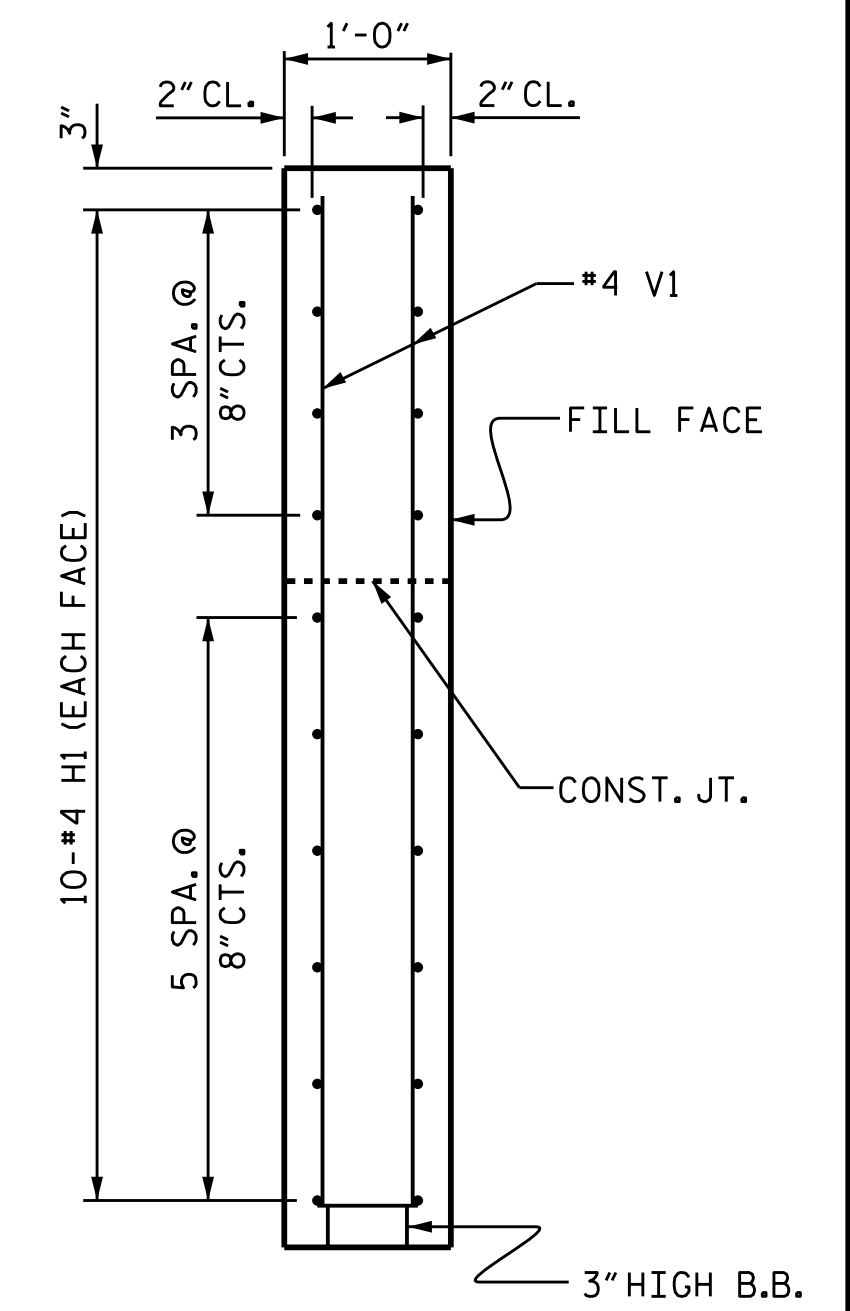


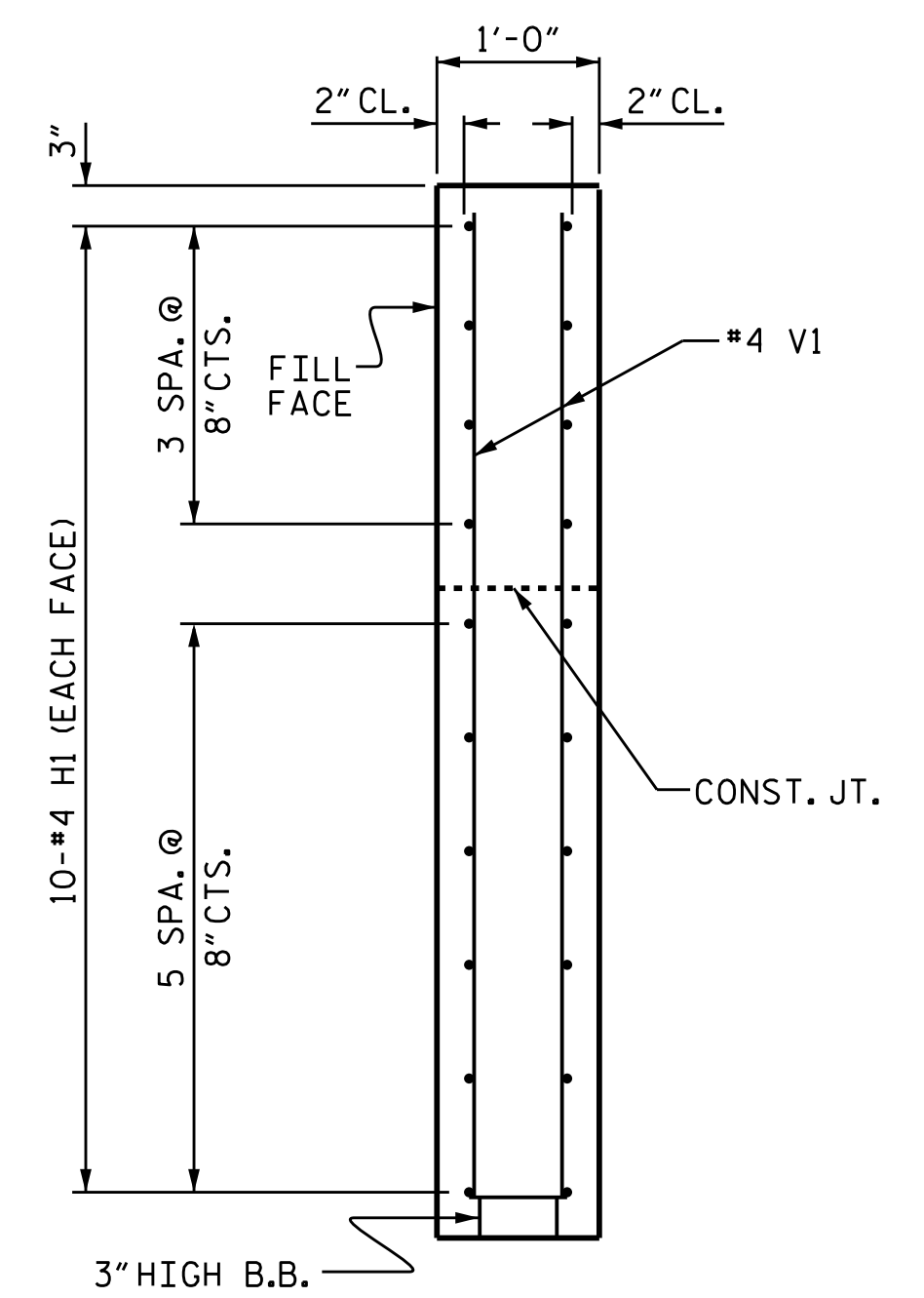
PLAN OF WING (W1)



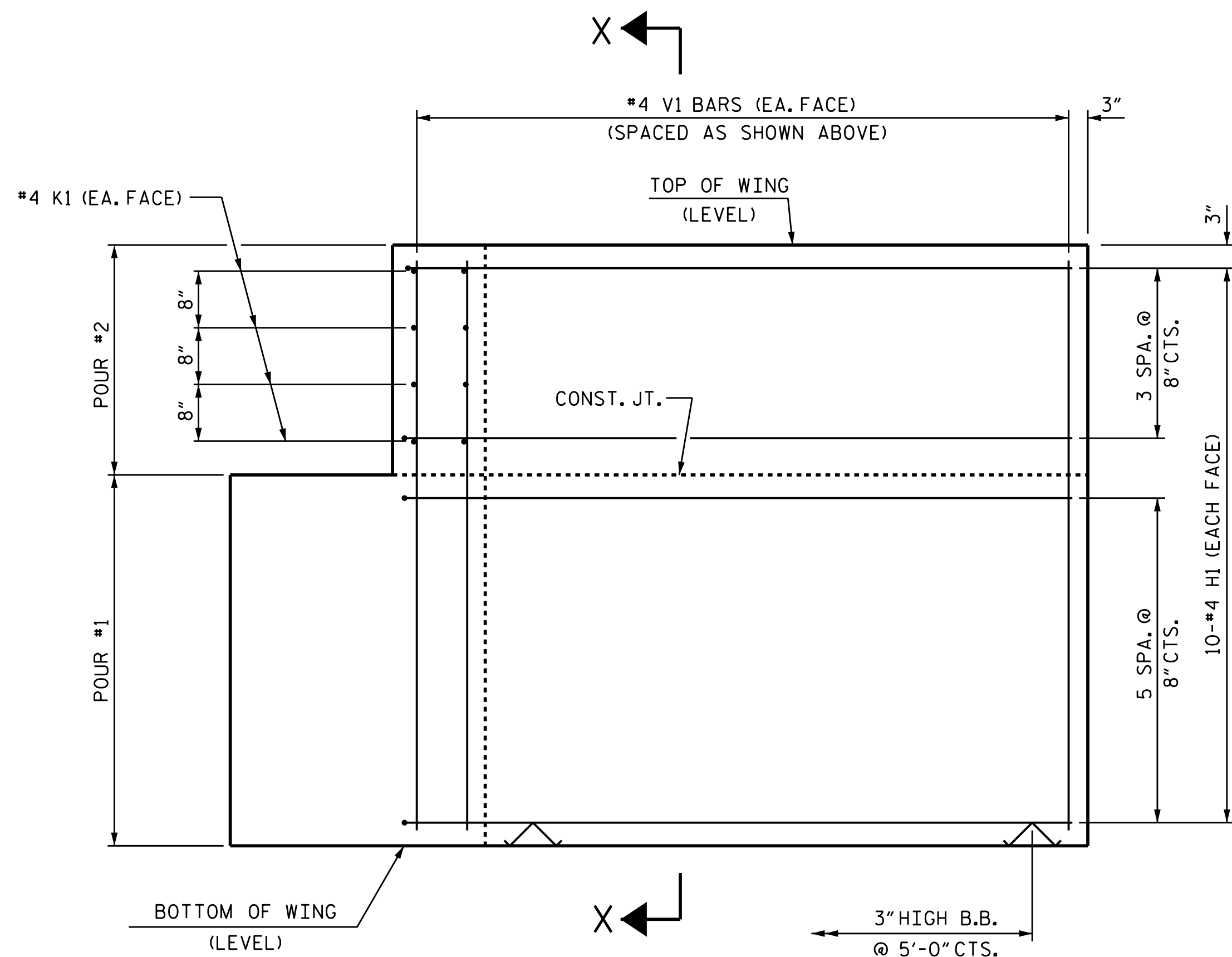
PLAN OF WING (W2)



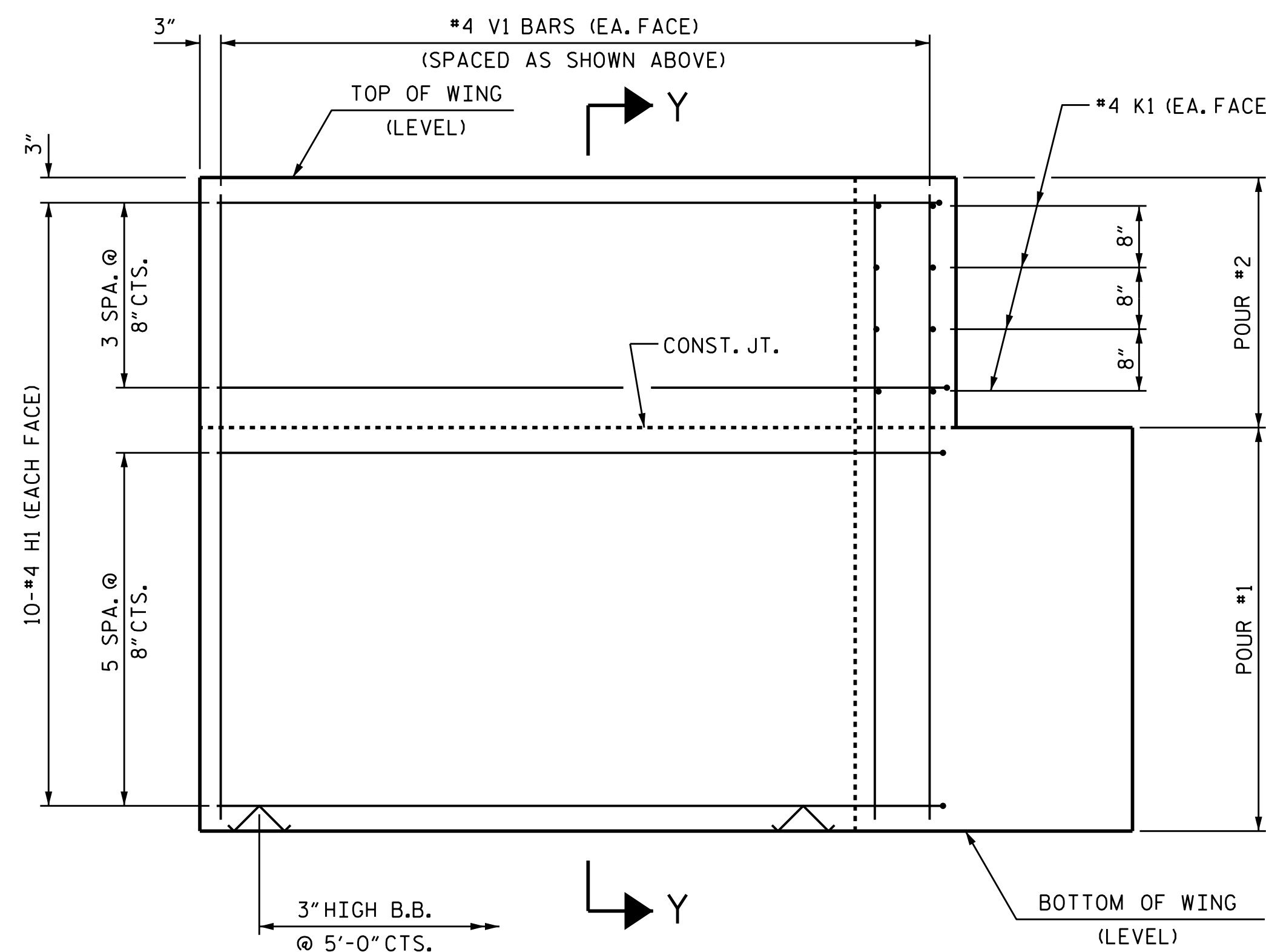
SECTION X-X



SECTION Y-Y



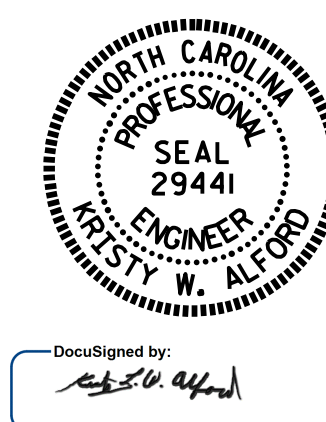
ELEVATION OF WING (W1)



ELEVATION OF WING (W2)

WING DETAILS

PROJECT NO. B-5343
ROCKINGHAM COUNTY
 STATION: 16+60.00 -L-
 SHEET 3 OF 4



STATE OF NORTH CAROLINA
 DEPARTMENT OF TRANSPORTATION
 RALEIGH
 SUBSTRUCTURE
 END BENT
 WING DETAILS

ASSEMBLED BY : H. B. DESAI	DATE : 10/2015
CHECKED BY : E. I. OMILE	DATE : 11/2/15
DRAWN BY : WJH 12/11	REV. 4/15
CHECKED BY : AAC 12/11	MAA/TMG

DOCUMENT NOT CONSIDERED FINAL UNLESS ALL SIGNATURES COMPLETED

REVISIONS						SHEET NO.	
NO.	BY:	DATE:	NO.	BY:	DATE:	S-15	
1			3			TOTAL SHEETS 18	
2			4				