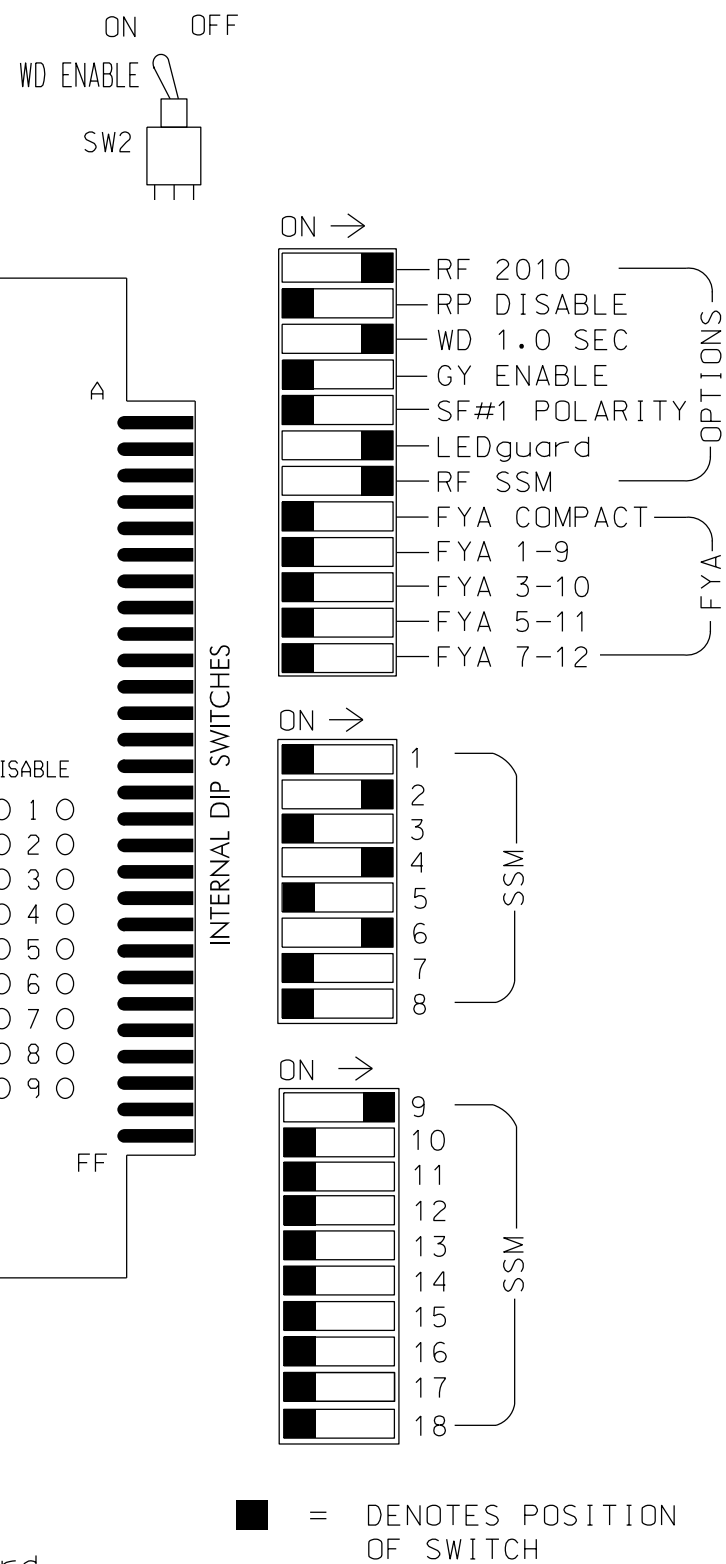
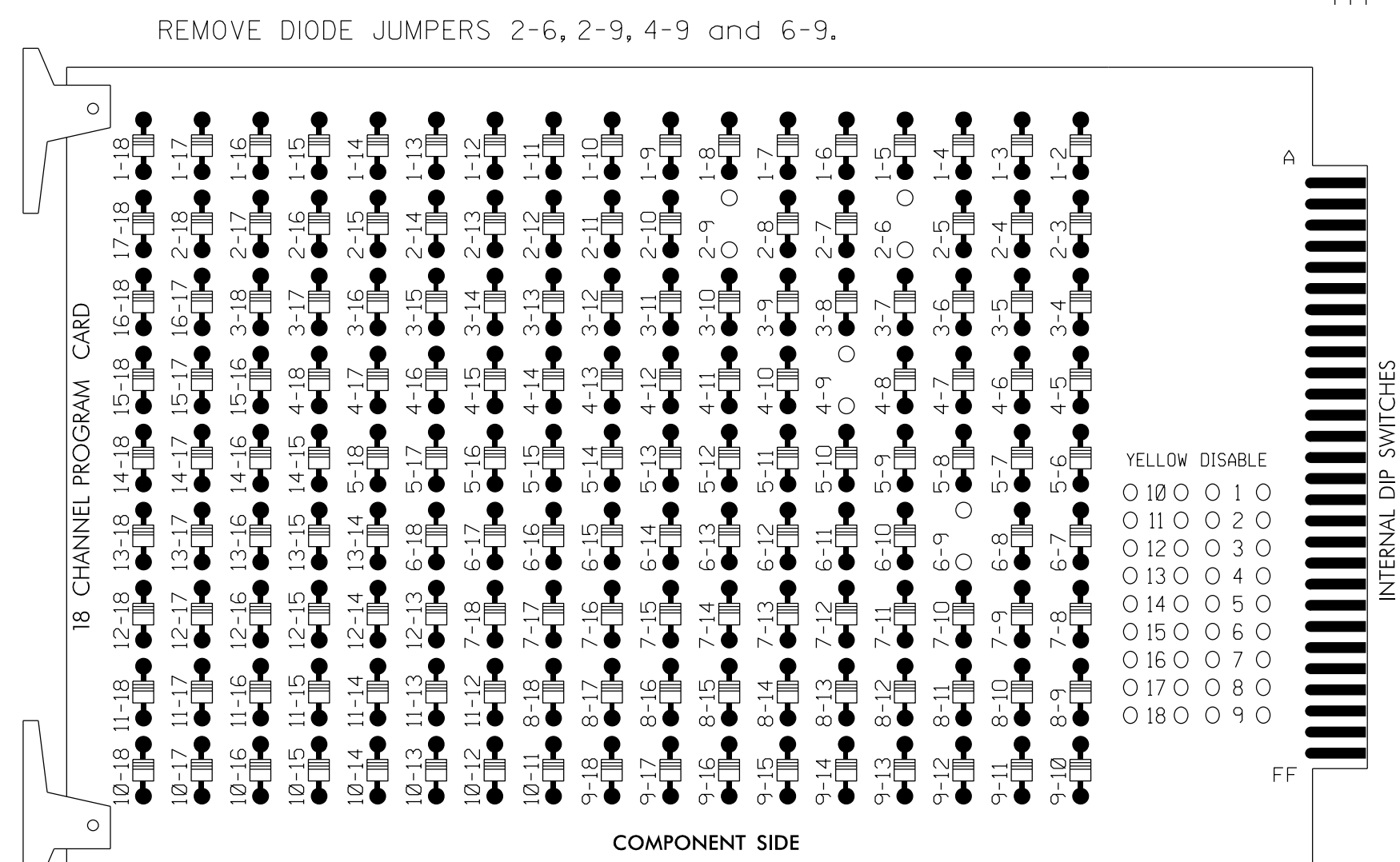


### EDI MODEL 2018ECL-NC CONFLICT MONITOR PROGRAMMING DETAIL

(remove jumpers and set switches as shown)



**NOTES:**

- Card is provided with all diode jumpers in place. Removal of any jumper allows its channels to run concurrently.
- Ensure jumpers SEL2-SEL5 and SEL9 are present on the monitor board.
- Ensure that Red Enable is active at all times during normal operation.
- Connect serial cable from conflict monitor to comm. port 1 of 2070 controller. Ensure conflict monitor communicates with 2070.

**NOTES**

- To prevent "flash-conflict" problems, insert red flash program blocks for all unused vehicle load switches in the output file. The installer shall verify that signal heads flash in accordance with the Signal Plans.
- Enable Simultaneous Gap-Out for all phases.
- Program phases 2 and 6 for Start Up In Green.
- Program phases 2 and 6 for Yellow Flash, and overlap 1 as wag overlap.
- The cabinet and controller are part of the Wilmington Signal System.

**EQUIPMENT INFORMATION**

CONTROLLER.....EXISTING 2070L  
 CABINET.....EXISTING 332 /W/ AUX  
 SOFTWARE.....ECONOLITE OASIS  
 CABINET MOUNT.....BASE  
 OUTPUT FILE POSITIONS...18 WITH AUX. OUTPUT FILE  
 LOAD SWITCHES USED.....S2,S5,S8,AUX S1.  
 PHASES USED.....2,4,6.  
 OVERLAP "A".....4+6  
 OVERLAP "B".....NOT USED  
 OVERLAP "C".....NOT USED  
 OVERLAP "D".....NOT USED

PROJECT REFERENCE NO.	SHEET NO.
17.BP.3.R.28	Sig. 9

**SIGNAL HEAD HOOK-UP CHART**

LOAD SWITCH NO.	S1	S2	S3	S4	S5	S6	S7	S8	S9	S10	S11	S12	AUX S1	AUX S2	AUX S3	AUX S4	AUX S5	AUX S6
CNU CHANNEL NO.	1	2	13	3	4	14	5	6	15	7	8	16	9	10	17	11	12	18
PHASE	4	2	2 PED	3	4	4 PED	5	6	6 PED	7	8	8 PED	OLA	OLB	SPARE	OLC	OLD	SPARE
SIGNAL HEAD NO.	63	21,22,23	NU	NU	41,42	NU	NU	61,62	NU	NU	NU	NU	63	NU	NU	NU	NU	NU
RED		128			101			134										
YELLOW		129			102			135										
GREEN		130			103			136										
RED ARROW													A121					
YELLOW ARROW													A122					
FLASHING YELLOW ARROW													A123					
GREEN ARROW	103																	

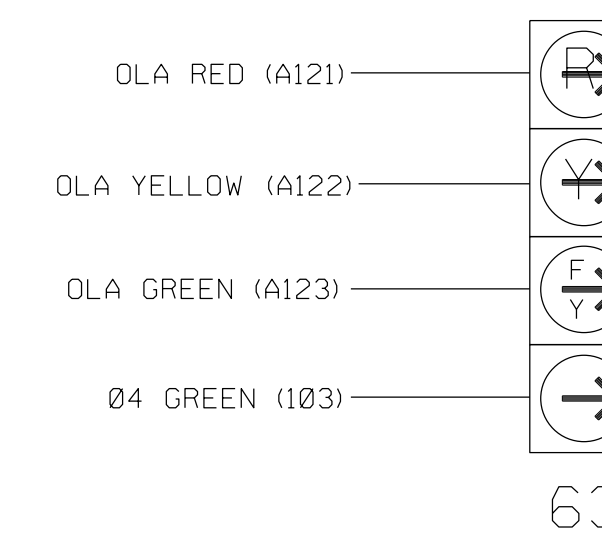
NU = Not Used

★ See pictorial of head wiring in detail below.

NOTE: Load Switch S1 require output assignment remapping. See Sheet 2 of this electrical detail for instructions.

**4 SECTION FYA SIGNAL WIRING DETAIL**

(wire signal heads as shown)



**NOTE**

- The sequence display for this signal requires special logic programming. See sheet 2 of 2 for programming instructions.

**INPUT FILE POSITION LAYOUT**

(front view)

	1	2	3	4	5	6	7	8	9	10	11	12	13	14
FILE "I"	S	∅ 2	S	S	S	∅ 4	S	S	S	S	S	S	S	FS
	2A	NOT USED				4A								DC ISOLATOR
						∅ 4								ST
FILE "J"	S	∅ 6	S	S	S	S	S	S	S	S	S	S	S	S
		6A												DC ISOLATOR
		NOT USED												

EX.: 1A, 2A, ETC. = LOOP NO.'S

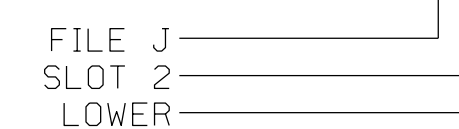
FS = FLASH SENSE  
 ST = STOP TIME

Reuse existing detector cards for temporary and final signal designs.

**INPUT FILE CONNECTION & PROGRAMMING CHART**

LOOP NO.	LOOP TERMINAL	INPUT FILE POS.	PIN NO.	INPUT ASSIGNMENT NO.	DETECTOR NO.	NEMA PHASE	CALL	EXTEND	FULL TIME DELAY	STRETCH TIME	DELAY TIME
2A	TB2-5,6	I2U	39	1	2	2	Y	Y	-	---	---
4A	TB4-9,10	I6U	41	3	4	4	Y	Y	-	---	---
4B	TB4-11,12	I6L	45	7	14	4	Y	Y	-	---	---
6A	TB3-5,6	J2U	40	2	6	6	Y	Y	-	---	---

**INPUT FILE POSITION LEGEND: J2L**



**Signal Upgrade - Temporary Design 3 (Electrical Detail Sheet 1 of 2)**

ELECTRICAL AND PROGRAMMING DETAILS FOR: Prepared for the Offices of: 	US 421 (Carolina Beach Road)/ US 421 Truck-SR 1436 (Front St) at SR 1140 (Burnett Boulevard)		SEAL NORTH CAROLINA PROFESSIONAL SEAL 025892 ENGINEER MELISSA B. TOOTH
	Division 03 PLAN DATE: May 2014 PREPARED BY: AM Encarnacion	New Hanover County REVIEWED BY: LM Moon REVIEWED BY: MB Toth	
1616 EAST MILLBROOK ROAD, SUITE 310 RALEIGH, NORTH CAROLINA 27609 (919) 876-6888		NCBEES #F-0326	