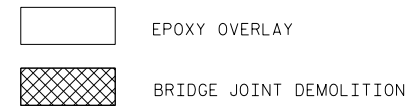
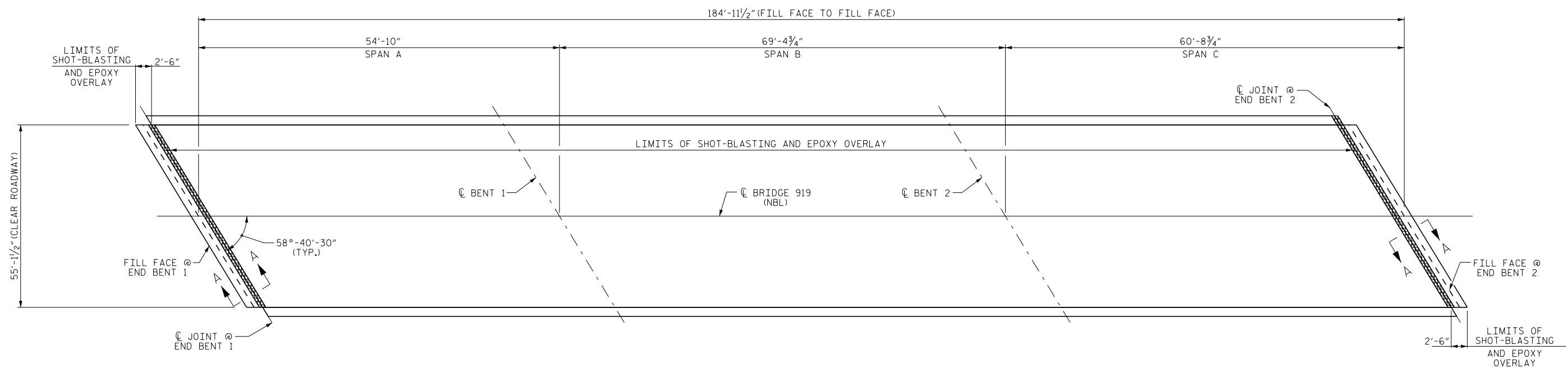


SUMMARY OF QUANTITIES

	ESTIMATE	ACTUAL
CONCRETE DECK REPAIR FOR EPOXY OVERLAY	* 5 SQ. FT.	
EPOXY OVERLAY SYSTEM	10,239 SQ. FT.	
BRIDGE JOINT DEMOLITION	129 SQ. FT.	



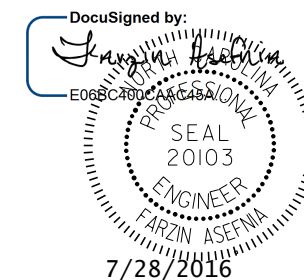
NOTE:
 * CONCRETE DECK REPAIR FOR EPOXY OVERLAY IS NOT ANTICIPATED. TOKEN PAY ITEMS ARE INDICATED FOR PRICING PURPOSE IN CASE UNANTICIPATED REPAIR AREAS ARE ENCOUNTERED.



PLAN
 (FOR SECTION A-A, SEE "JOINT DETAILS" SHEET S-6)

PROJECT NO. I-5960
MECKLENBURG COUNTY
 BRIDGE NO. 919

SHEET 1 OF 2



STATE OF NORTH CAROLINA
 DEPARTMENT OF TRANSPORTATION
 RALEIGH
**SURFACE PREPARATION
 & EPOXY OVERLAY**
 (NORTHBOUND LANE)

REVISIONS						SHEET NO.
NO.	BY:	DATE:	NO.	BY:	DATE:	S-4
1			3			TOTAL SHEETS
2			4			11

DRAWN BY : M.K. BEARD DATE : 4/20/16
 CHECKED BY : W. C. SMITH DATE : 6/14/16

DOCUMENT NOT CONSIDERED
 FINAL UNLESS ALL
 SIGNATURES COMPLETED