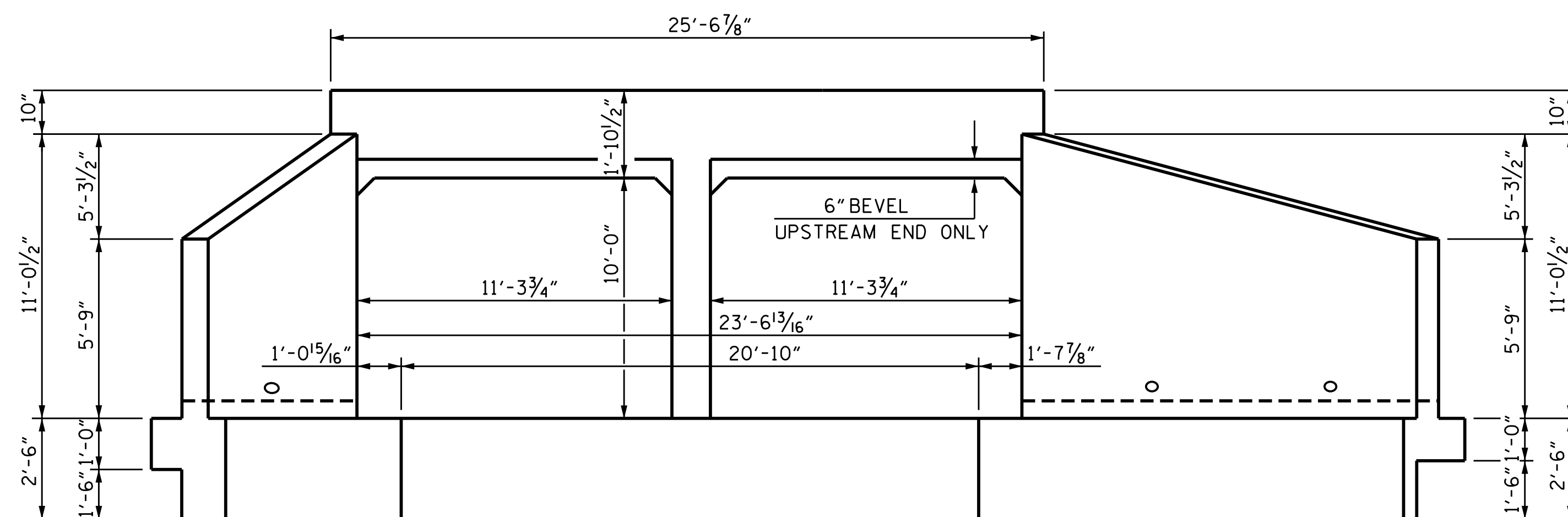
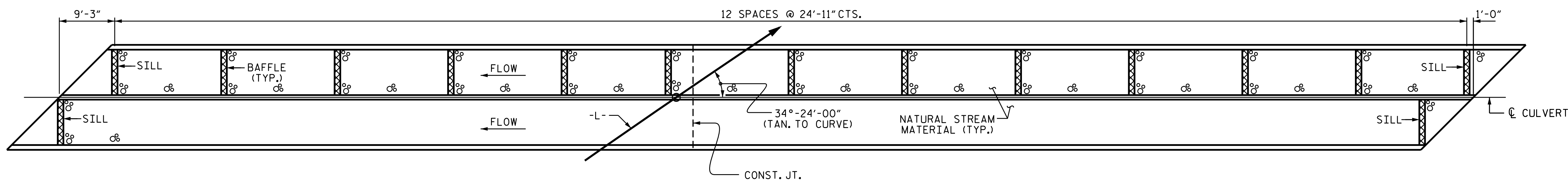


CULVERT SECTION NORMAL TO ROADWAY

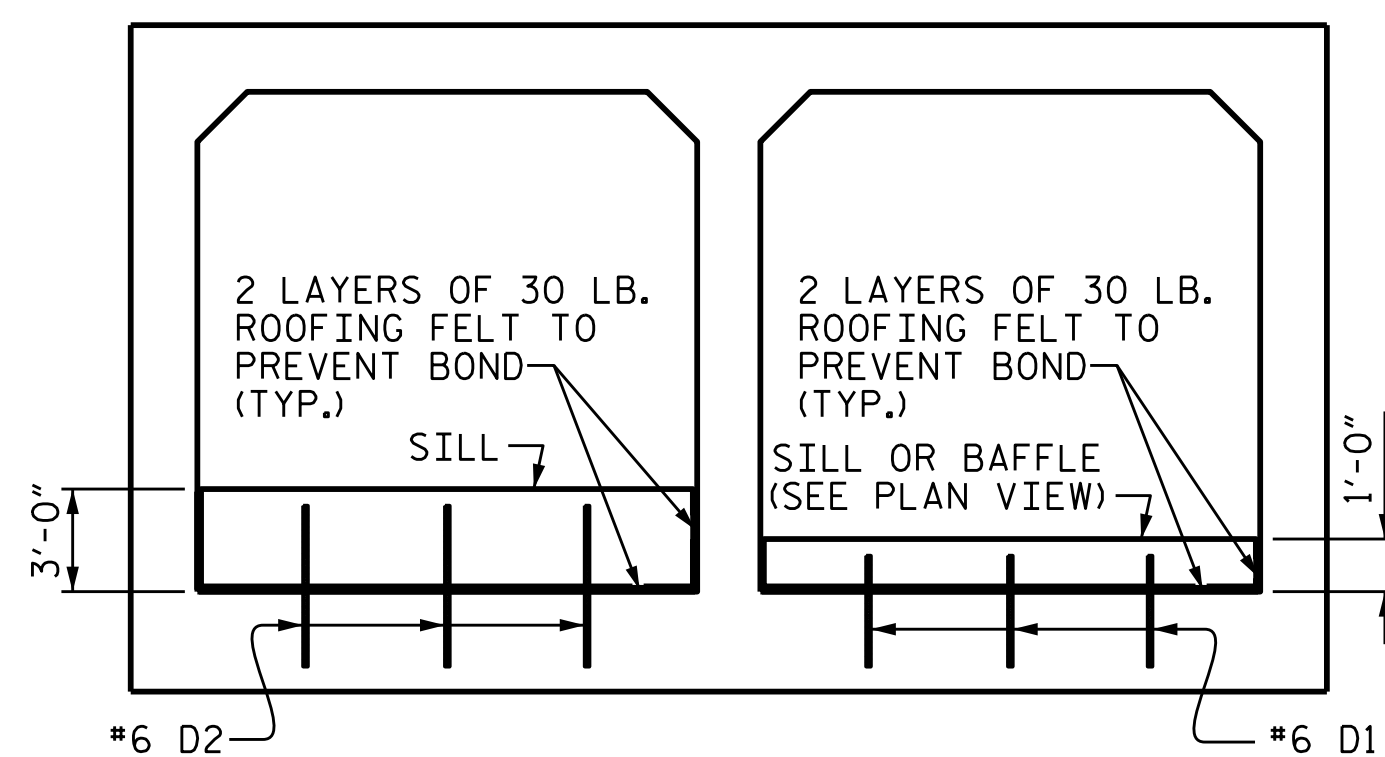


END ELEVATION NORMAL TO SKEW
(LOOKING DOWNSTREAM)

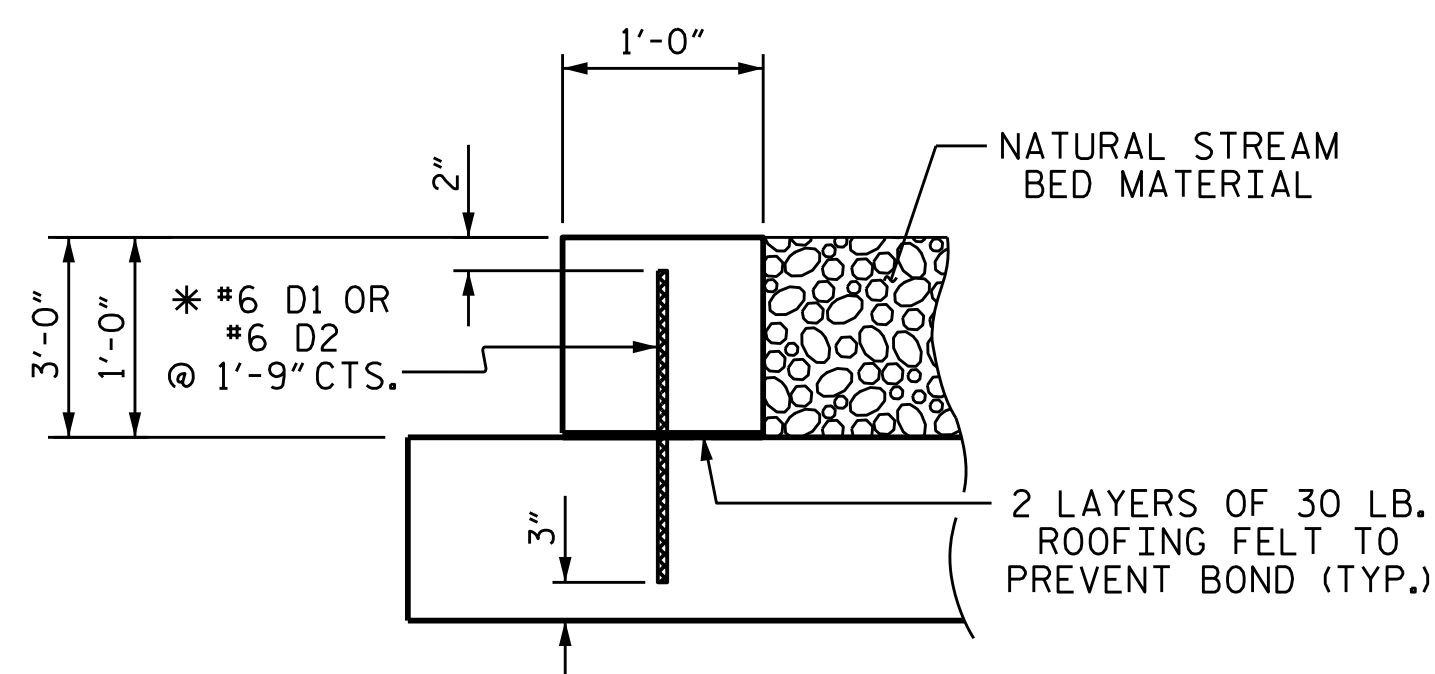


PLAN

I HEREBY CERTIFY THESE PLANS ARE THE AS-BUILT PLANS



ELEVATION



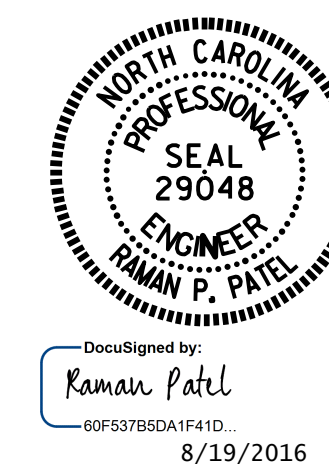
SECTION THROUGH SILL/BAFFLE
* DOWELS MAY BE PUSHED INTO GREEN CONCRETE AFTER SLAB HAS BEEN FLOAT FINISHED.

CULVERT SILL/BAFFLE DETAILS
(LOOKING DOWNSTREAM)

PROJECT NO. U-3440
CABARRUS COUNTY
STATION: 117+50.00 -L-

SHEET 3 OF 8

STATE OF NORTH CAROLINA
DEPARTMENT OF TRANSPORTATION
RALEIGH
DOUBLE 8 FT. X 10 FT.
CONCRETE BOX CULVERT
34°-24'-00" SKEW/45° HEADWALL



DOCUMENT NOT CONSIDERED FINAL UNLESS ALL SIGNATURES COMPLETED

REVISIONS						SHEET NO.	
NO.	BY:	DATE:	NO.	BY:	DATE:	C2-3	
1			3			TOTAL SHEETS	
2			4			8	

DRAWN BY: KEITH D. LAYNE DATE: 5/06/16
CHECKED BY: J.D. HAWK DATE: 5/20/16
DESIGN ENGINEER OF RECORD: R. P. PATEL DATE: 6/3/16