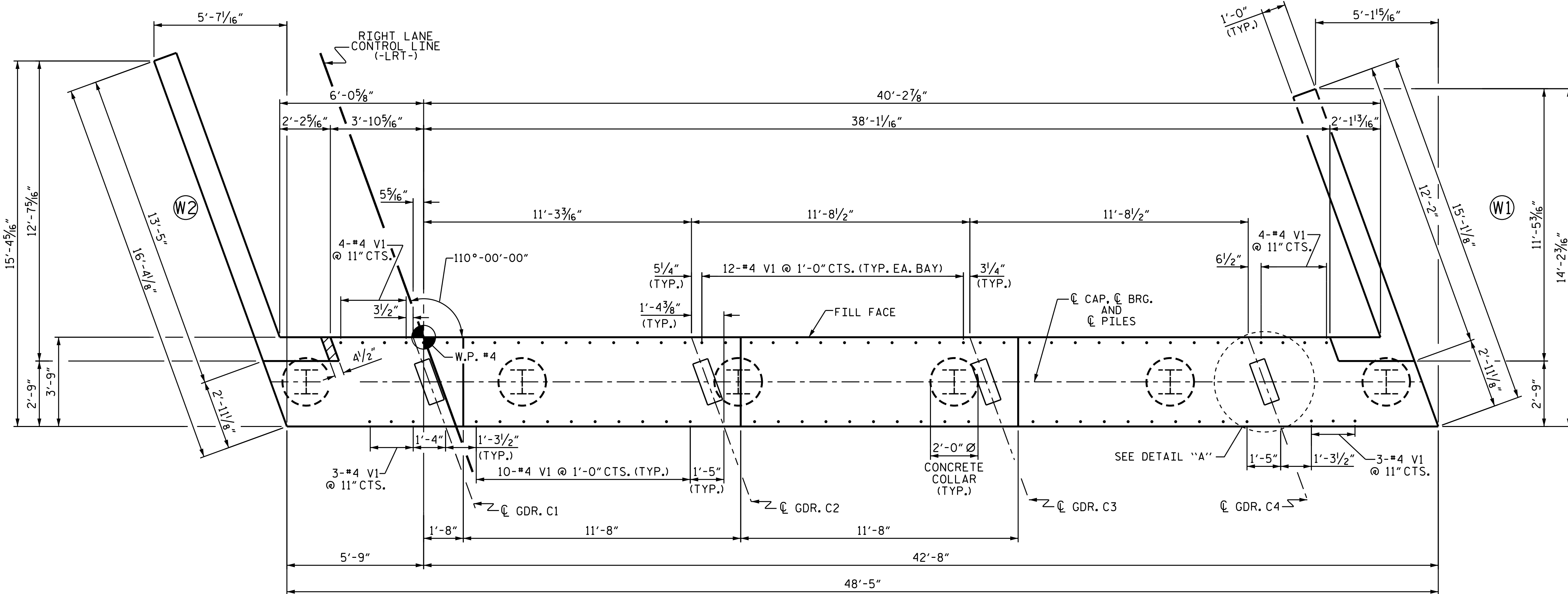


**NOTES**

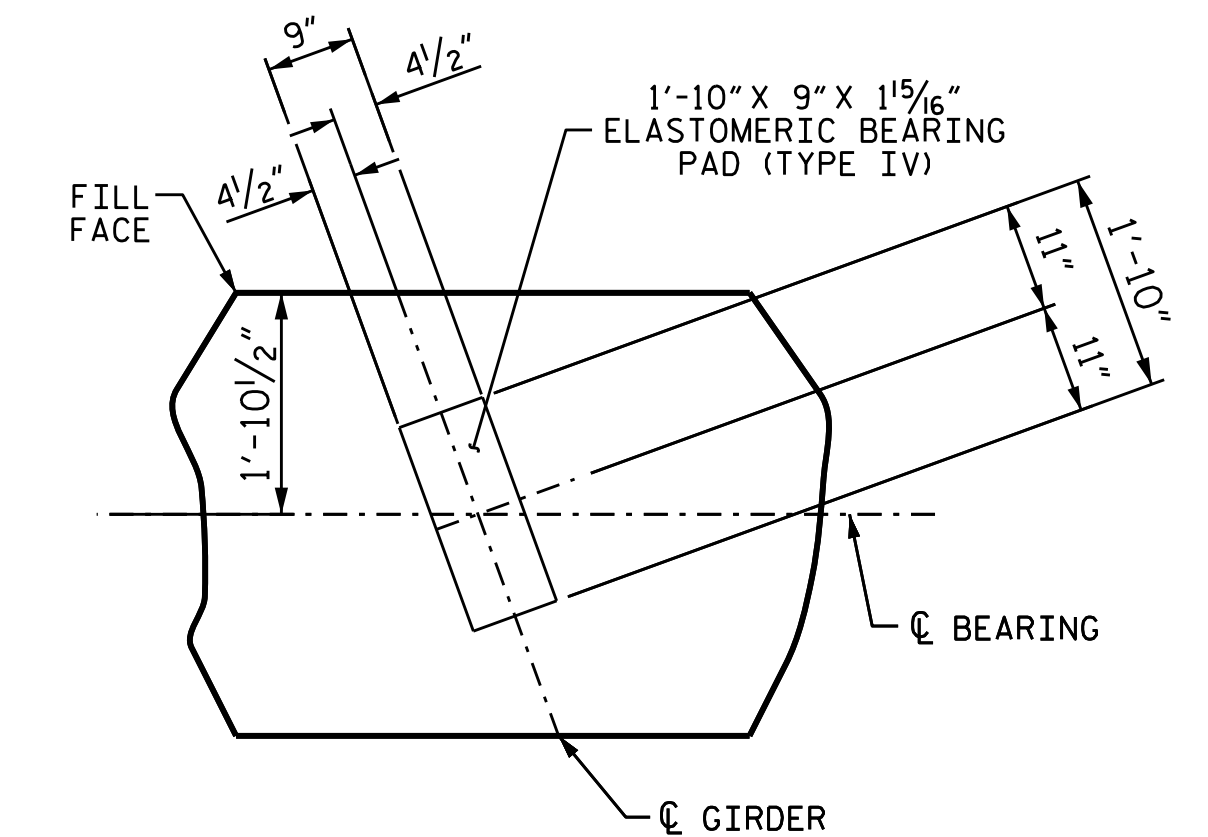
THE TOP SURFACE OF THE END BENT CAP, EXCEPT THE BEARING AREA, SHALL BE RAKED TO A DEPTH OF 1/4".

THE CONCRETE IN THE SHADED AREA OF THE WING SHALL BE POURED AFTER THE CONCRETE BARRIER RAIL IS CAST IF SLIP FORMING IS USED.

INSTALL THE 4" DIA. DRAIN PIPE THROUGH THE WING WALL AS REQUIRED FOR REINFORCED BRIDGE APPROACH FILLS. SEE ROADWAY PLANS. REINFORCING STEEL IN THE WING MAY BE SHIFTED AS NECESSARY TO CLEAR THE DRAIN PIPE.

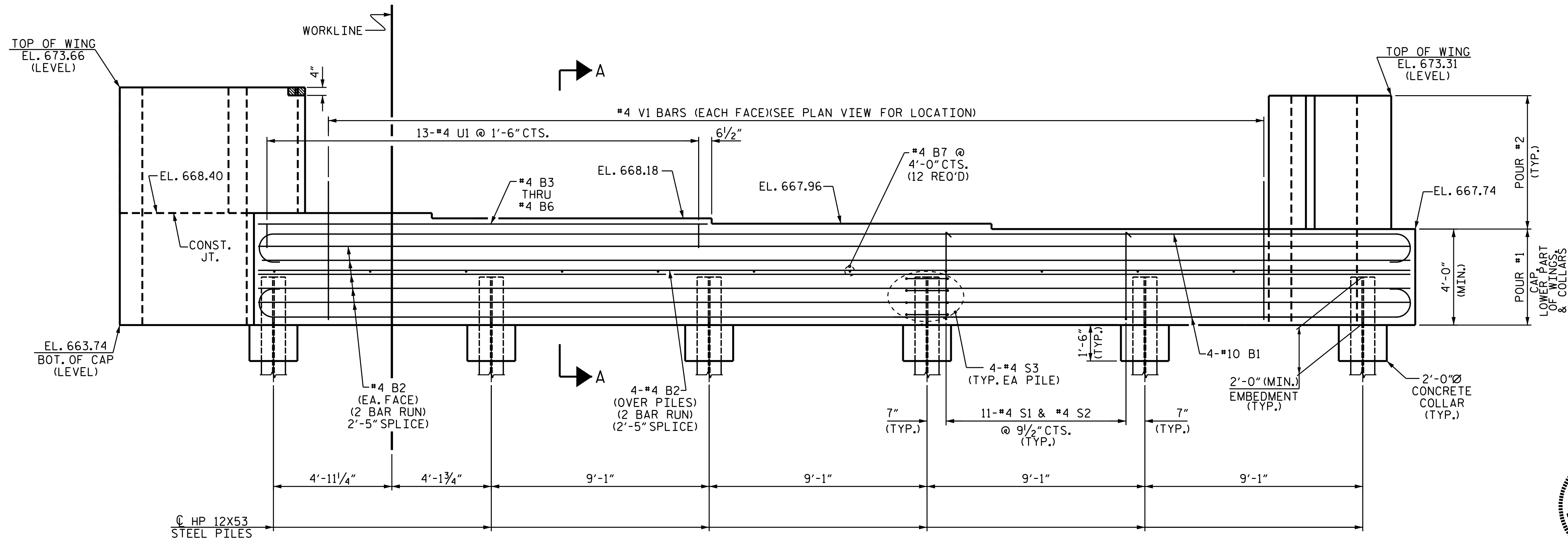


**PLAN**



**DETAIL "A"**

(TYP. EACH GIRDER)



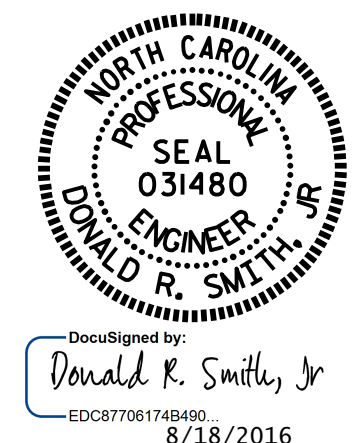
**ELEVATION**

PROJECT NO. U-3440  
CABARRUS COUNTY  
 BRIDGE NO. 68+25.60-L-

SHEET 1 OF 3

STATE OF NORTH CAROLINA  
 DEPARTMENT OF TRANSPORTATION  
 RALEIGH

**SUBSTRUCTURE**  
**END BENT 2**  
 (RIGHT LANE)



| REVISIONS |     |       |     |     |       | SHEET NO.    |  |
|-----------|-----|-------|-----|-----|-------|--------------|--|
| NO.       | BY: | DATE: | NO. | BY: | DATE: | S2-32        |  |
| 1         |     |       | 3   |     |       | TOTAL SHEETS |  |
| 2         |     |       | 4   |     |       | 37           |  |

DRAWN BY : J.D.HAWK DATE : 4/2016  
 CHECKED BY : K.D.LAYNE DATE : 4/2016  
 DESIGN ENGINEER OF RECORD: I.R.PETERSON DATE : 6/2016

DOCUMENT NOT CONSIDERED FINAL UNLESS ALL SIGNATURES COMPLETED