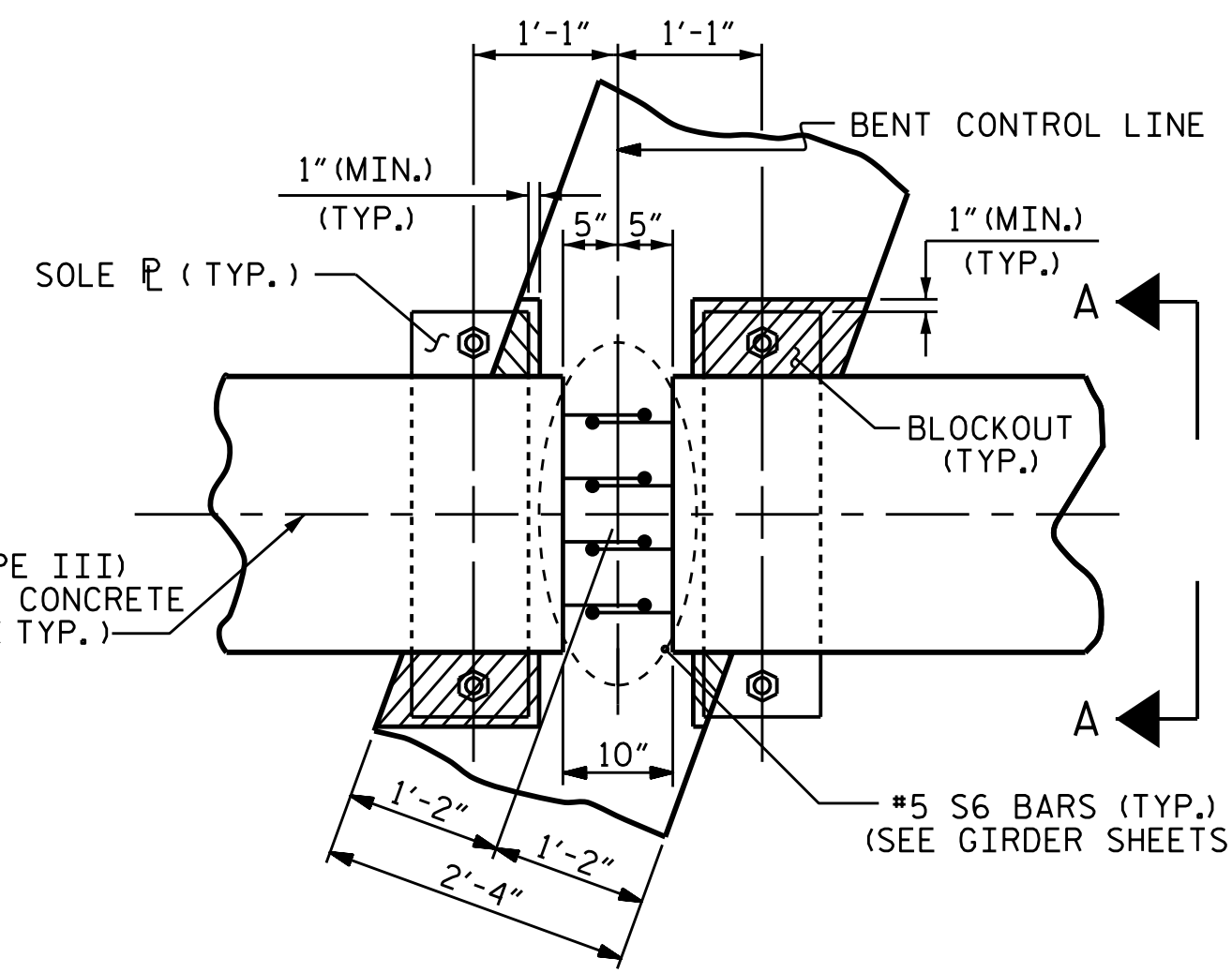
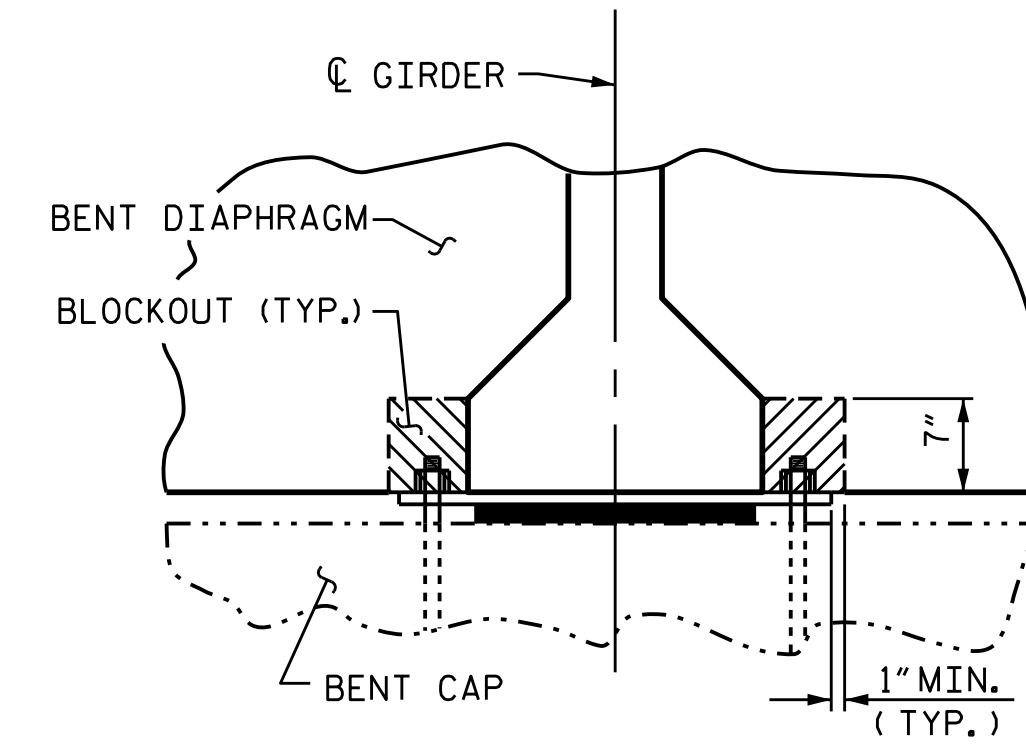


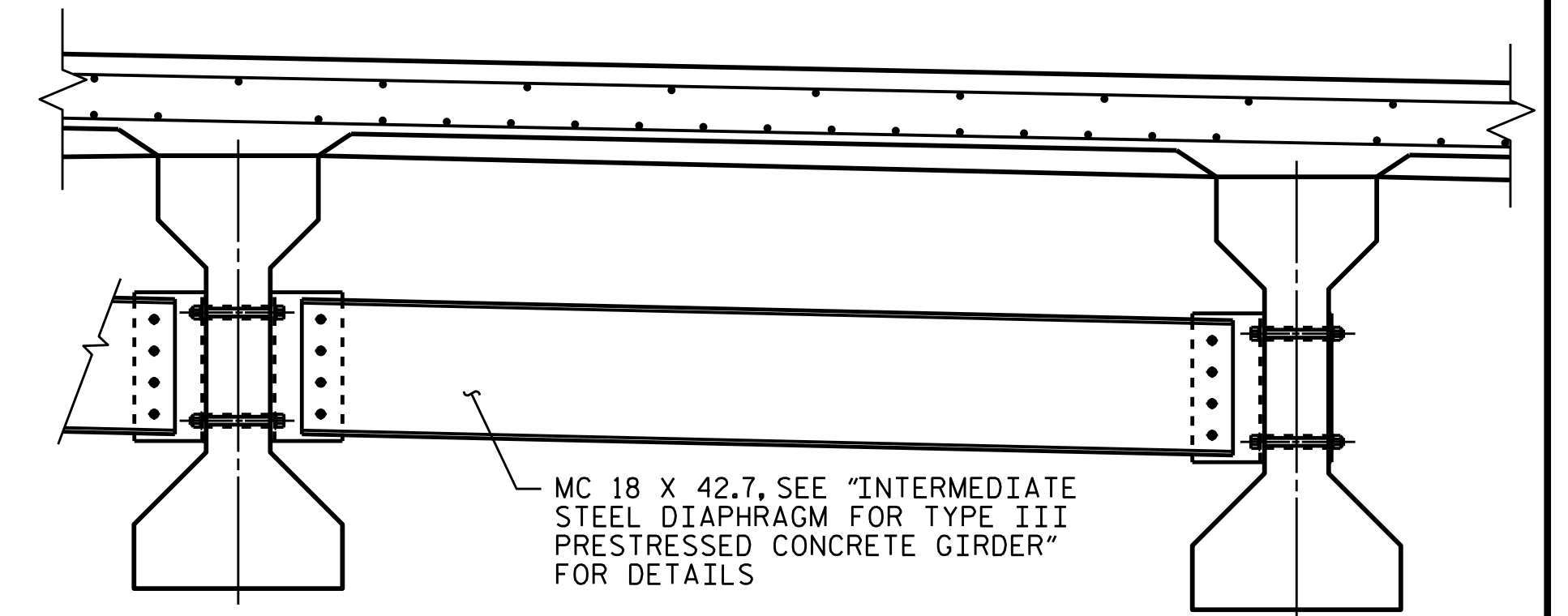
INTEGRAL END BENT CONTINUOUS BENT DIAPHRAGM
PLAN OF GIRDER



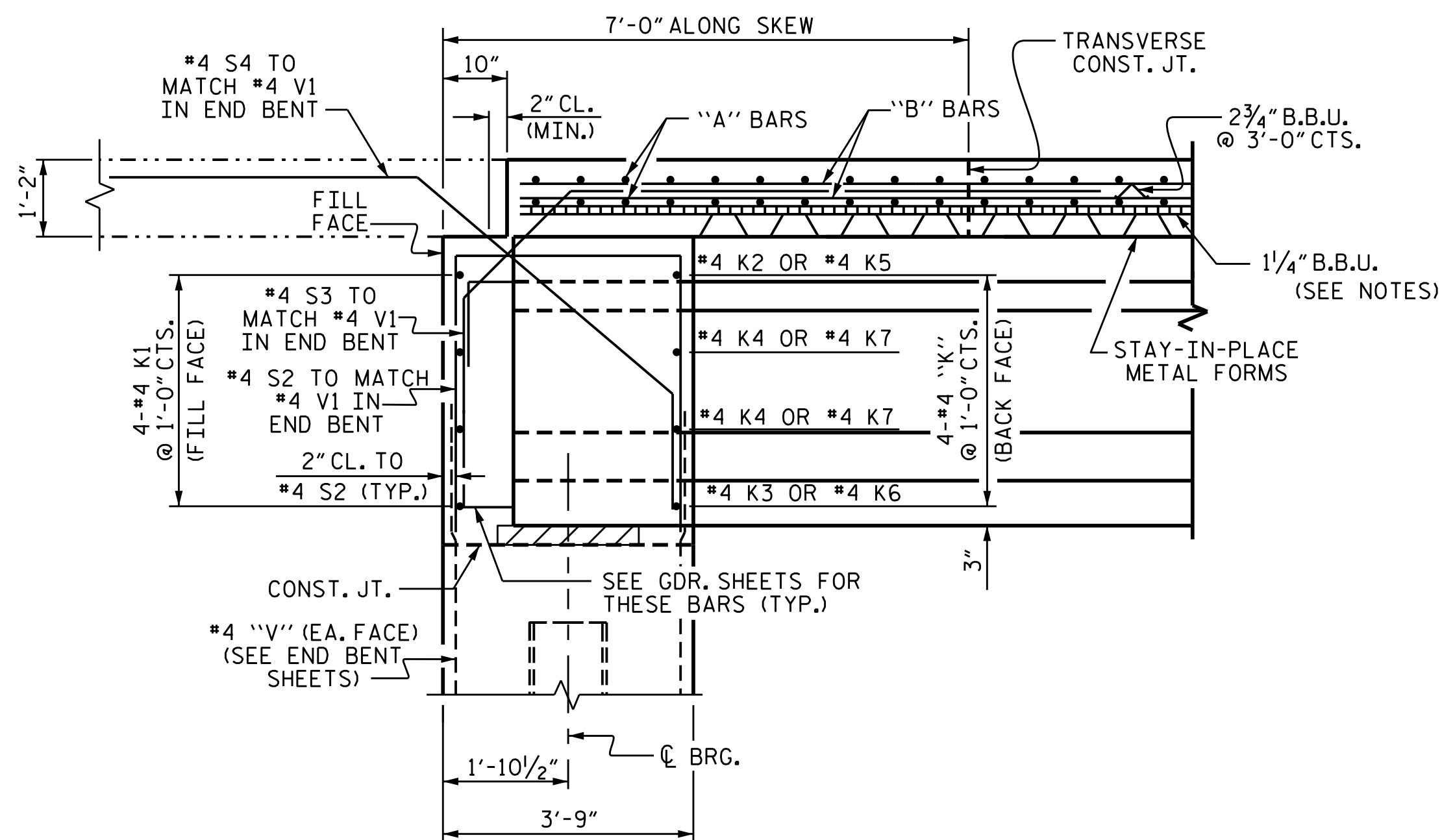
PLAN
BENT DIAPHRAGM BLOCKOUT DETAIL



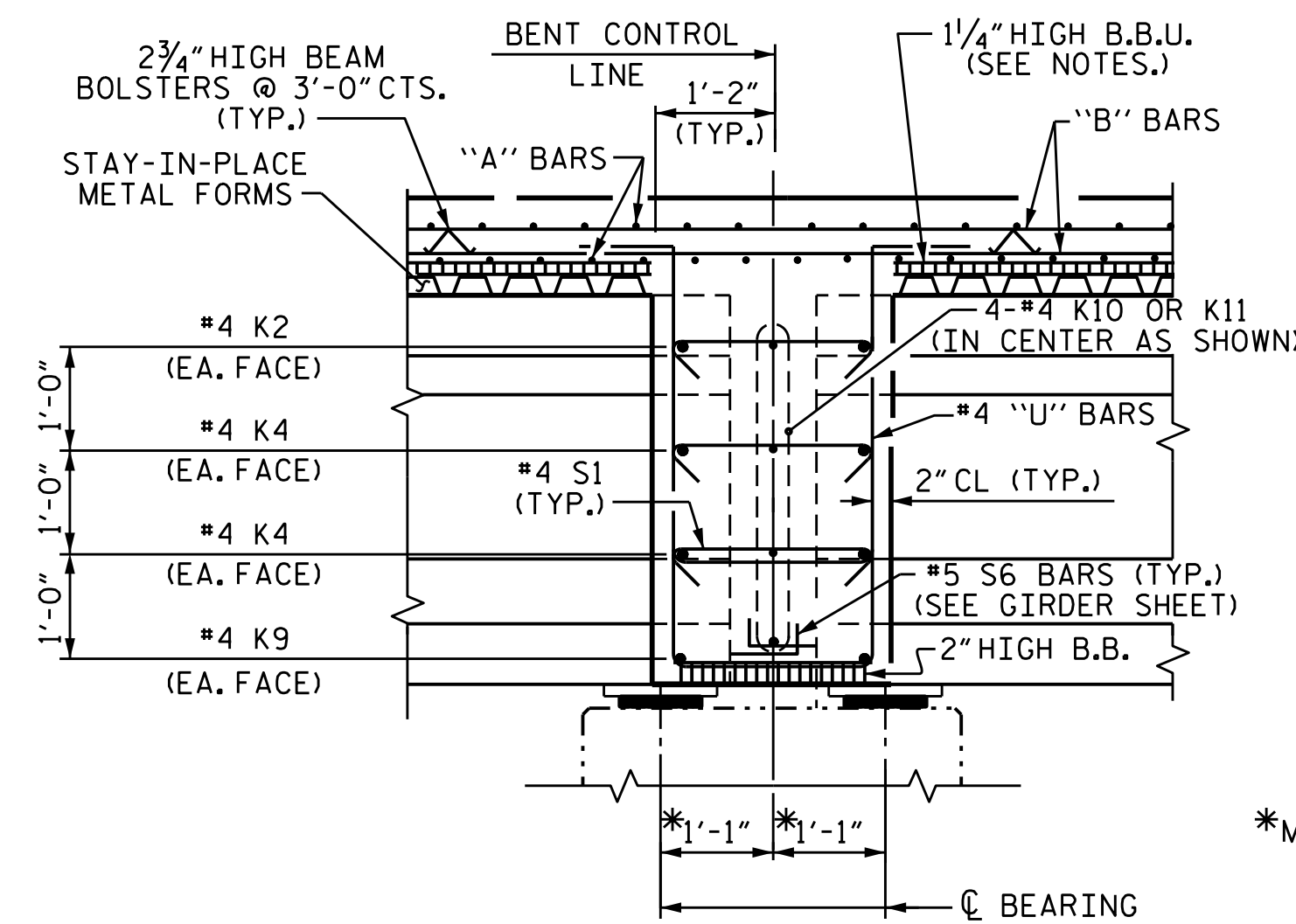
SECTION A-A



PART SECTION AT INTERMEDIATE DIAPHRAGM
 (SEE PLAN OF SPANS FOR LOCATION)



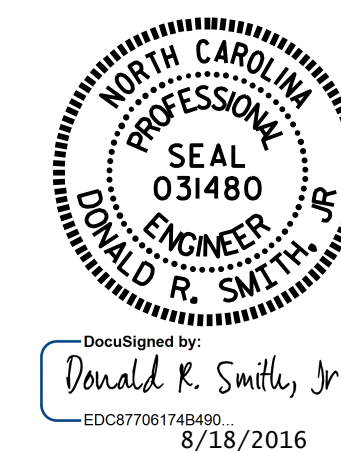
SECTION THROUGH INTEGRAL END BENT



SECTION THROUGH BENT DIAPHRAGM

PROJECT NO. U-3440
CABARRUS COUNTY
 STATION: 68+25.60 -L-

SHEET 3 OF 3



DocuSigned by:
 Donald R. Smith, Jr.
 EDC87706174B480
 8/18/2016

STATE OF NORTH CAROLINA
 DEPARTMENT OF TRANSPORTATION
 RALEIGH
 SUPERSTRUCTURE
 TYPICAL SECTION
 (RIGHT LANE)

DRAWN BY: K. D. LAYNE DATE: 1/20/16
 CHECKED BY: J. D. HAWK DATE: 12/18/15
 DESIGN ENGINEER OF RECORD: T. R. PETERSON DATE: 6/20/16

DOCUMENT NOT CONSIDERED
 FINAL UNLESS ALL
 SIGNATURES COMPLETED

REVISIONS						SHEET NO.
NO.	BY:	DATE:	NO.	BY:	DATE:	S2-7
1			3			TOTAL SHEETS
2			4			37

STR. #2