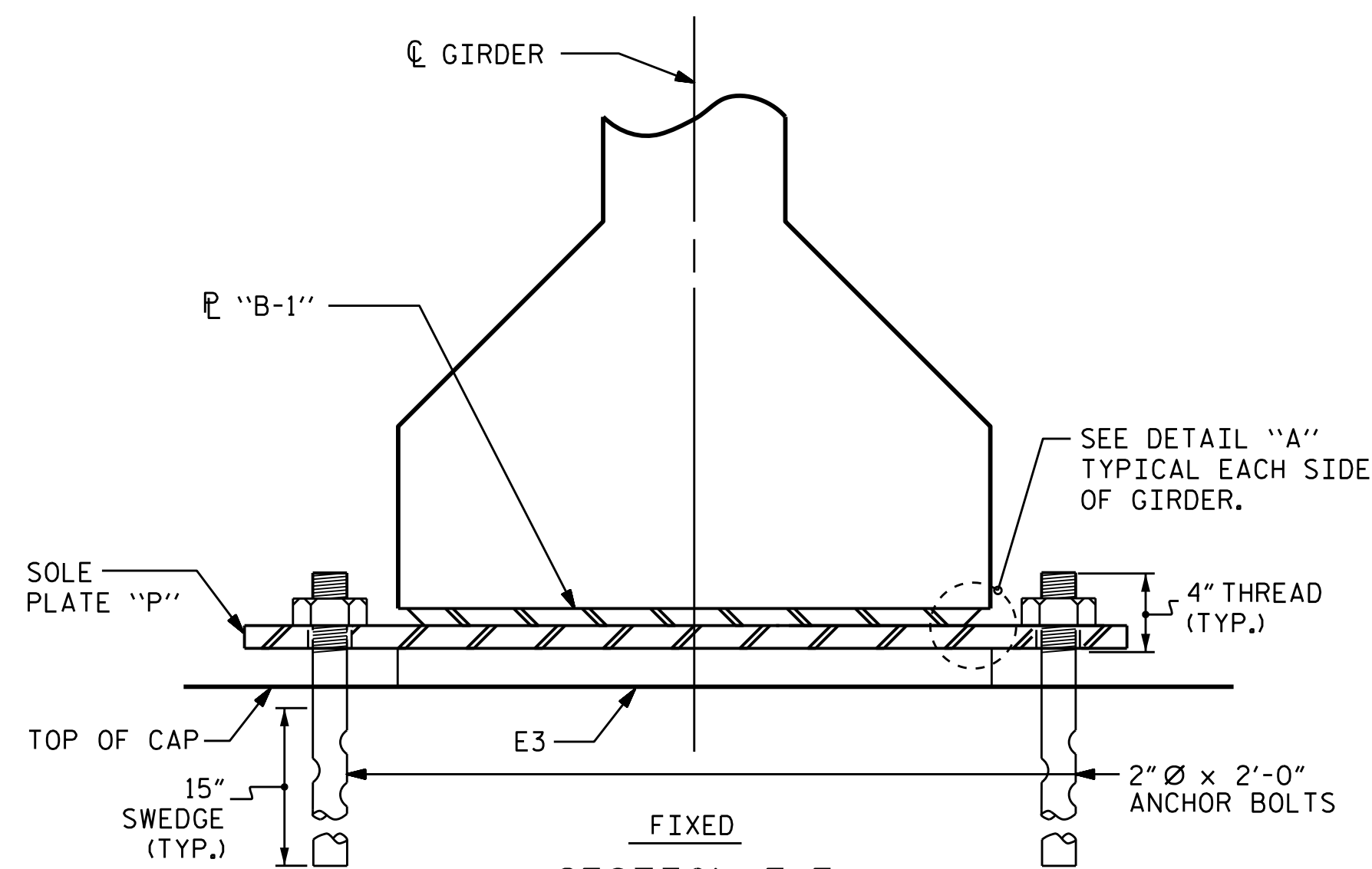
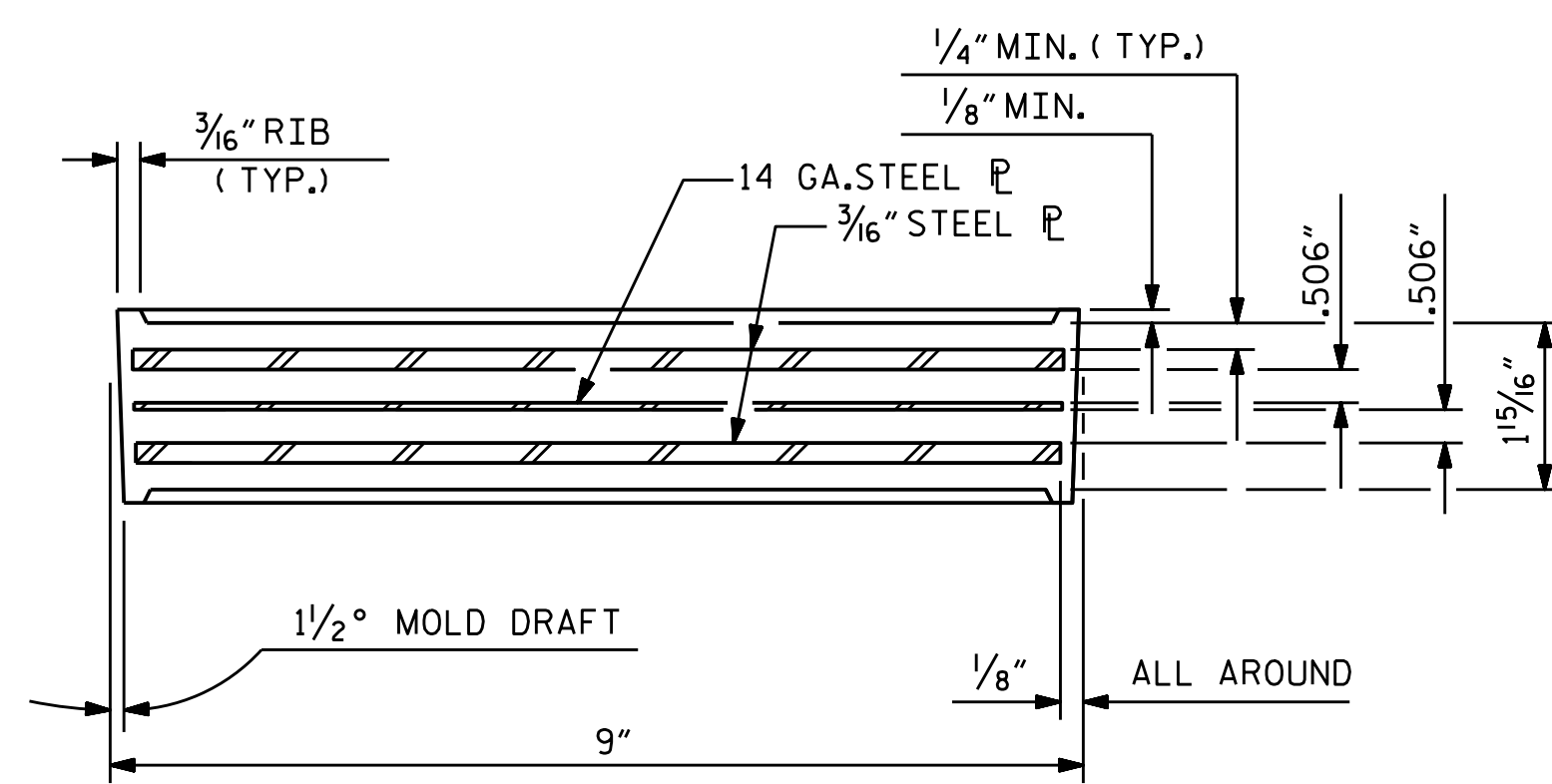


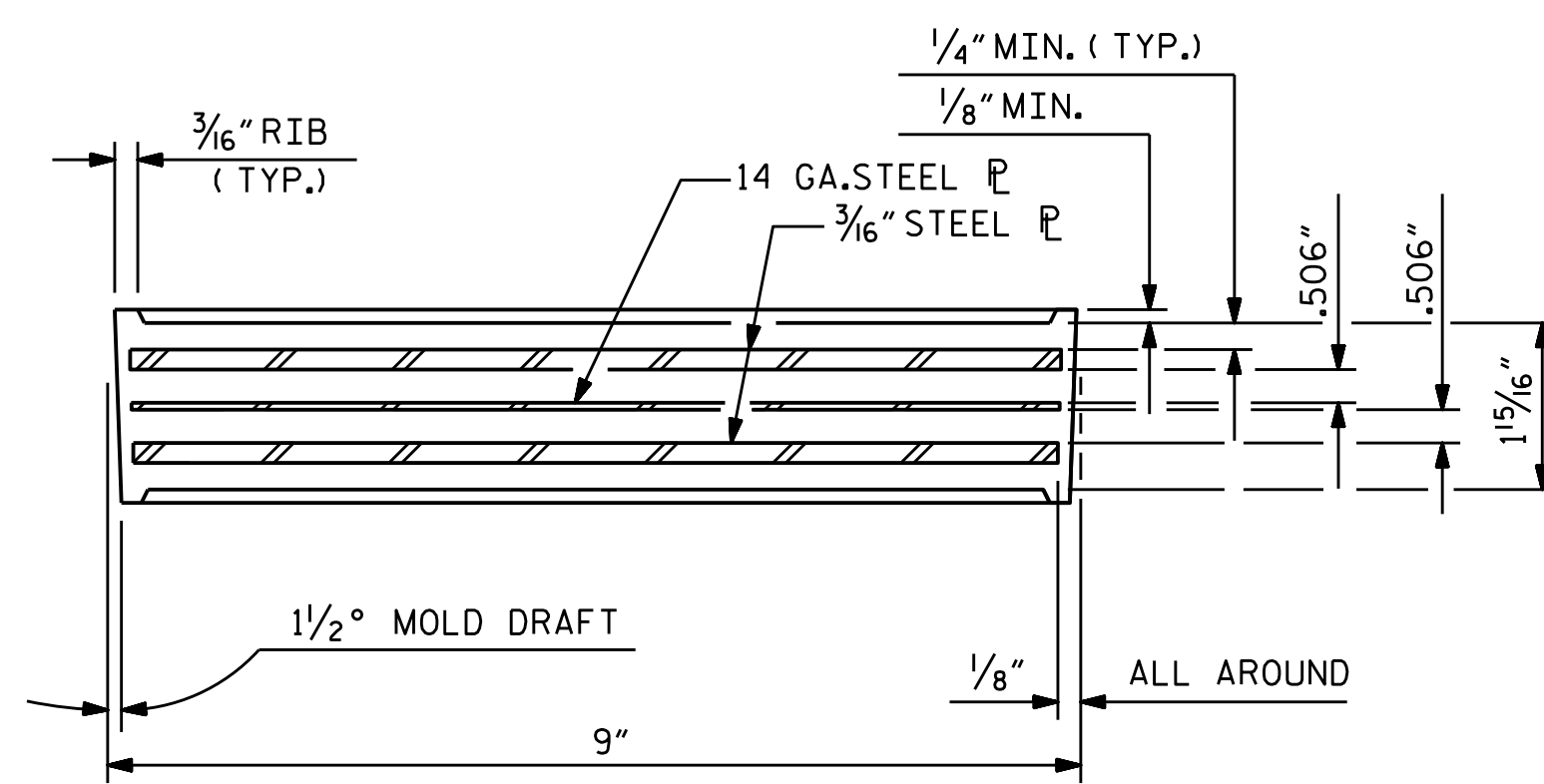
FIXED
SECTION D-D



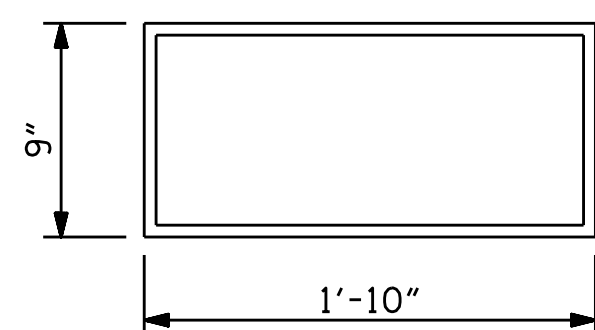
FIXED
SECTION E-E



TYPICAL SECTION OF ELASTOMERIC BEARINGS



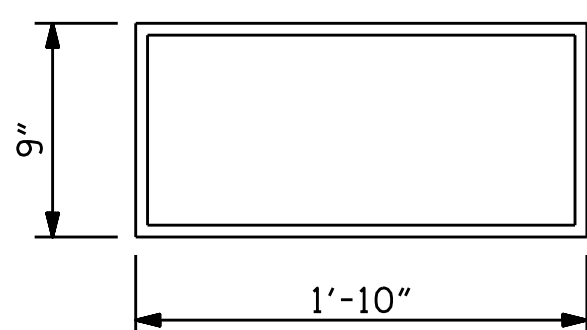
TYPICAL SECTION OF ELASTOMERIC BEARINGS



E3 (8 REQ'D)

PLAN VIEW OF ELASTOMERIC BEARING

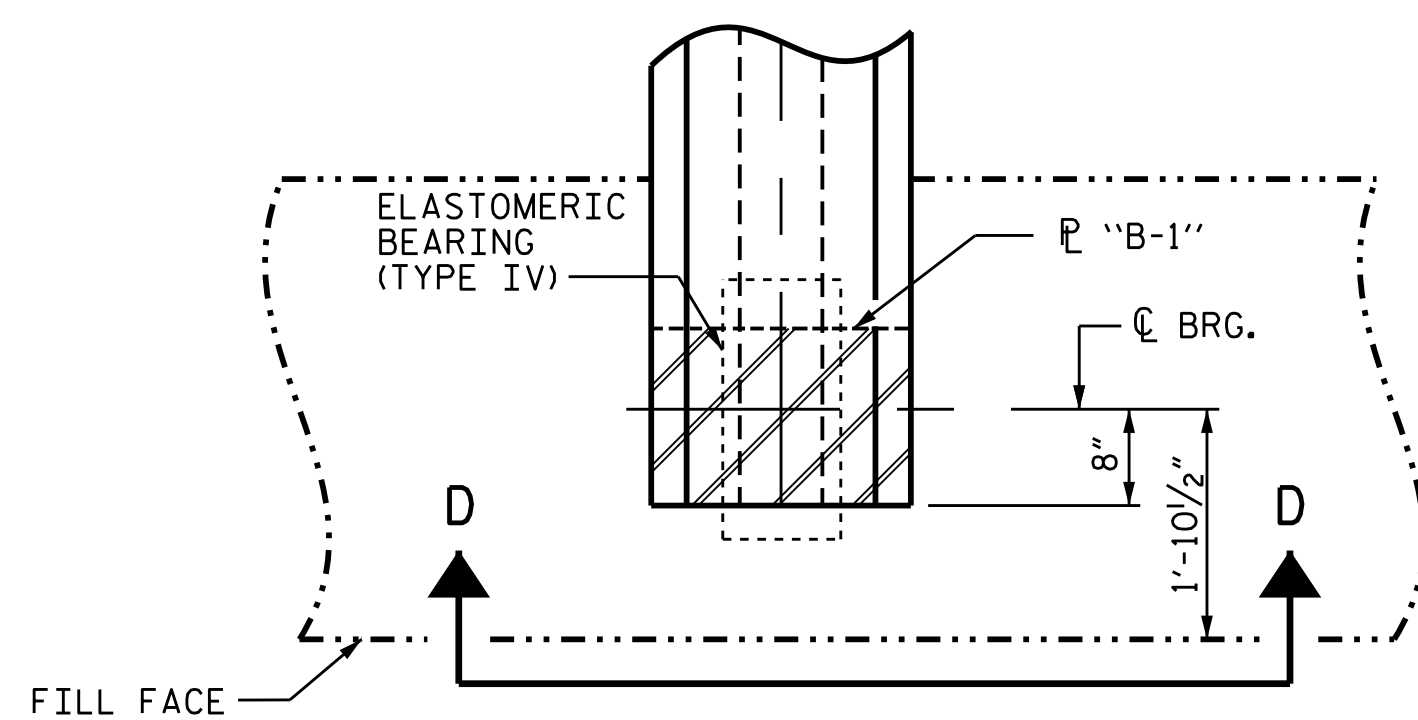
TYPE IV



E3 (16 REQ'D)

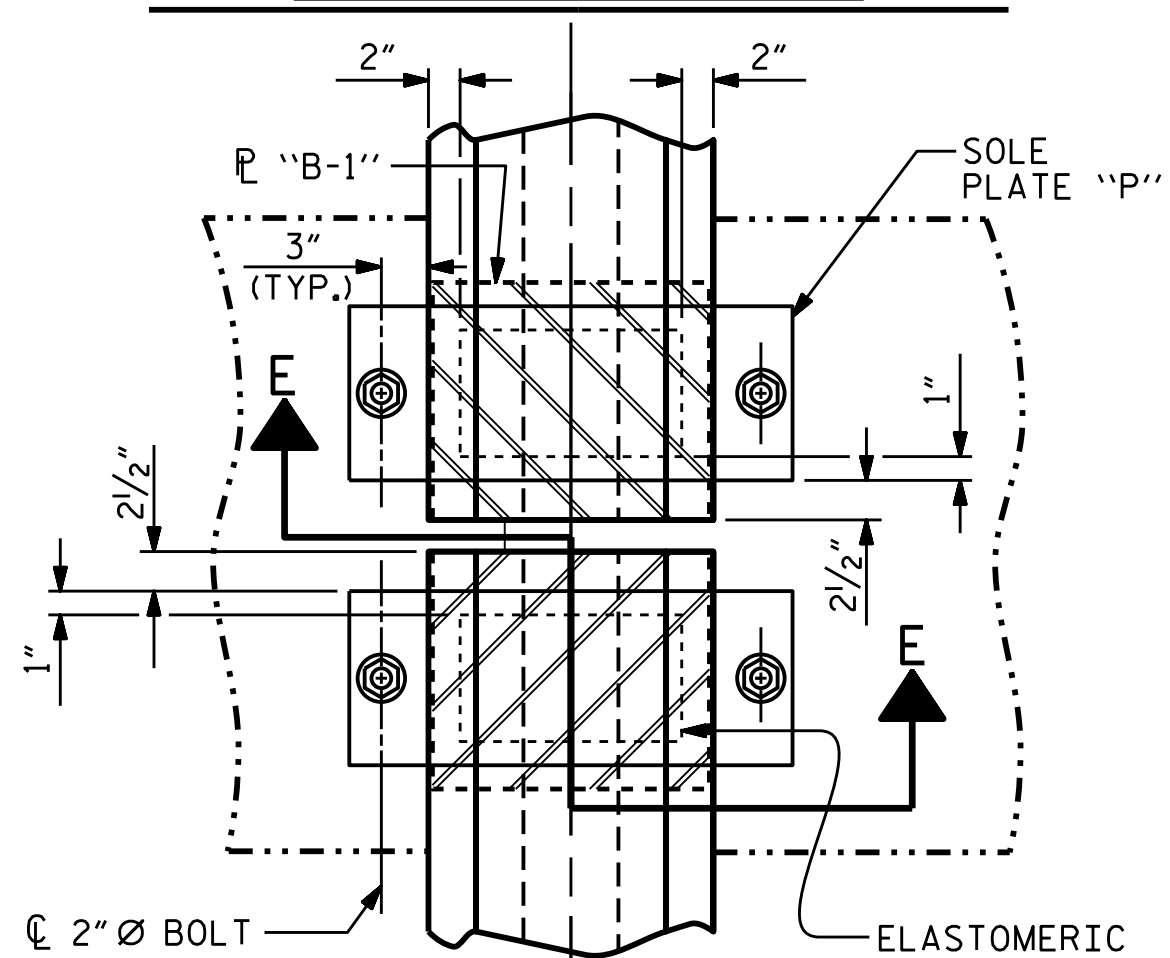
PLAN VIEW OF ELASTOMERIC BEARING

TYPE IV



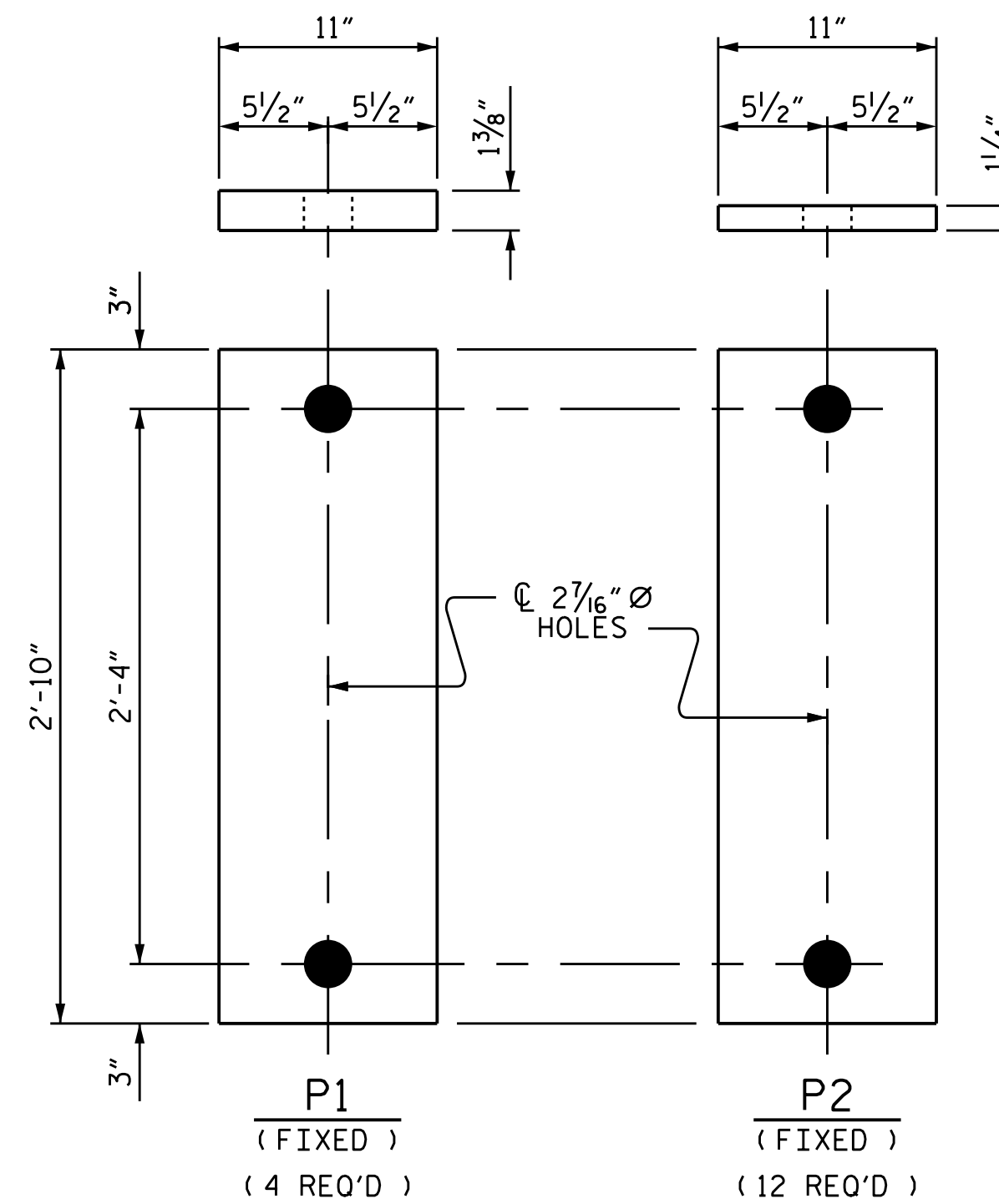
TYPICAL PLAN

(SHOWING INTEGRAL END BENTS)



TYPICAL PLAN

(SHOWING CONTINUOUS BENT)



SOLE PLATE DETAILS

NOTES

AT ALL FIXED POINTS OF SUPPORT, NUTS FOR ANCHOR BOLTS ARE TO BE TIGHTENED FINGER TIGHT AND THEN BACKED OFF 1/2 TURN. THE THREAD OF THE NUT AND BOLT SHALL THEN BE BURRED WITH A SHARP POINTED TOOL.

STEEL SOLE PLATES, ANCHOR BOLTS, NUTS, AND WASHERS SHALL BE GALVANIZED IN ACCORDANCE WITH THE STANDARD SPECIFICATIONS.

PRIOR TO WELDING, GRIND THE GALVANIZED SURFACE OF THE PORTION OF THE EMBEDDED PLATE AND SOLE PLATE THAT ARE TO BE WELDED. AFTER WELDING, DAMAGED GALVANIZED SURFACES SHALL BE REPAIRED IN ACCORDANCE WITH THE STANDARD SPECIFICATIONS.

WHEN WELDING THE SOLE PLATE TO THE EMBEDDED PLATE IN THE GIRDER, USE TEMPERATURE INDICATING WAX PENS, OR OTHER SUITABLE MEANS, TO ENSURE THAT THE TEMPERATURE OF THE SOLE PLATE DOES NOT EXCEED 300F. TEMPERATURES ABOVE THIS MAY DAMAGE THE ELASTOMER.

SOLE PLATE "P", BOLTS, NUTS, WASHERS, AND PIPE SLEEVE SHALL BE INCLUDED IN THE PAY ITEM FOR PRESTRESSED CONCRETE GIRDERS.

ANCHOR BOLTS SHALL MEET THE REQUIREMENTS OF ASTM A449. NUTS SHALL MEET THE REQUIREMENTS OF AASHTO M291-DH OR AASHTO M292-2H. WASHERS SHALL MEET THE REQUIREMENTS OF AASHTO M293. SHOP DRAWINGS ARE NOT REQUIRED FOR ANCHOR BOLT, NUTS AND WASHERS. SHOP INSPECTION IS REQUIRED.

ALL SURFACES OF BEARING PLATES SHALL BE SMOOTH AND STRAIGHT.

THE ELASTOMER IN THE STEEL REINFORCED BEARINGS SHALL HAVE A SHEAR MODULUS OF 0.160 KSI, IN ACCORDANCE WITH AASHTO M251.

FOR STEEL REINFORCED ELASTOMERIC BEARINGS, SEE SPECIAL PROVISIONS.

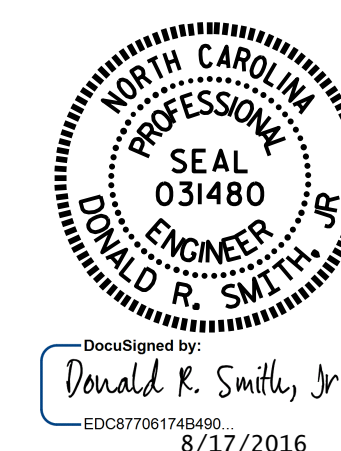
ALL BEARING PLATES SHALL BE AASHTO M270 GRADE 50.

MAXIMUM ALLOWABLE SERVICE LOADS

D.L.+L.L. (NO IMPACT)

TYPE IV | 225 k

PROJECT NO. U-3440
CABARRUS COUNTY
STATION: 68+25.60 -L-



STATE OF NORTH CAROLINA
DEPARTMENT OF TRANSPORTATION
RALEIGH
STANDARD
ELASTOMERIC BEARING
DETAILS
PRESTRESSED CONCRETE GIRDER
SUPERSTRUCTURE
(LEFT LANE)

REVISIONS

NO.	BY:	DATE:	NO.	BY:	DATE:
1			3		
2			4		

SHEET NO.	
S1-17	TOTAL SHEETS 37

DOCUMENT NOT CONSIDERED FINAL UNLESS ALL SIGNATURES COMPLETED

ASSEMBLED BY : K. D. LAYNE	DATE : 12/04/15
CHECKED BY : J. D. HAWK	DATE : 12/18/15
DRAWN BY : WJH 8/89	REV. 10/1/11
CHECKED BY : CRK 8/89	REV. 6/13
	REV. 1/15
DESIGN ENGINEER OF RECORD:	DATE : 6/20/16
T. R. PETERSON	

17-AUG-2016 09:24
R:\Structures\Plans\Str01\U-3340.SD.EB.01.dgn
jdhawk

STR. #1

STD. NO. EB3