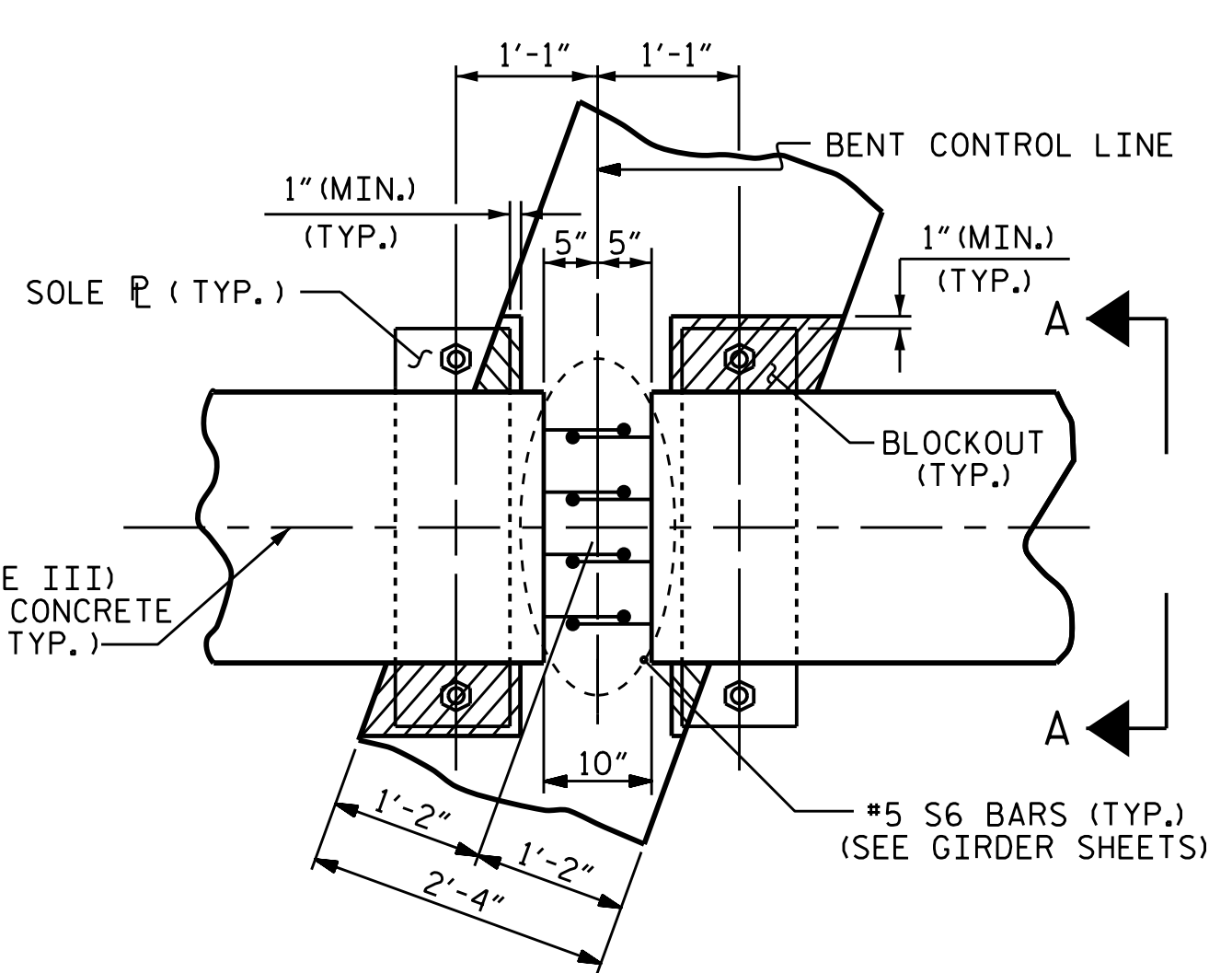
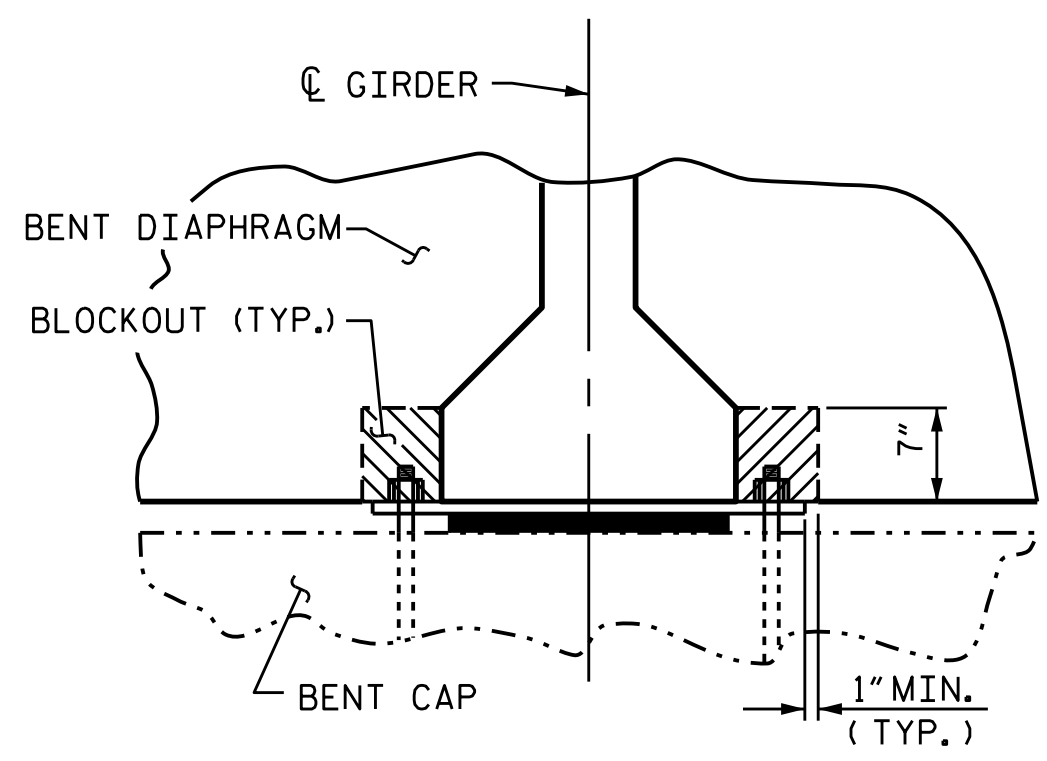


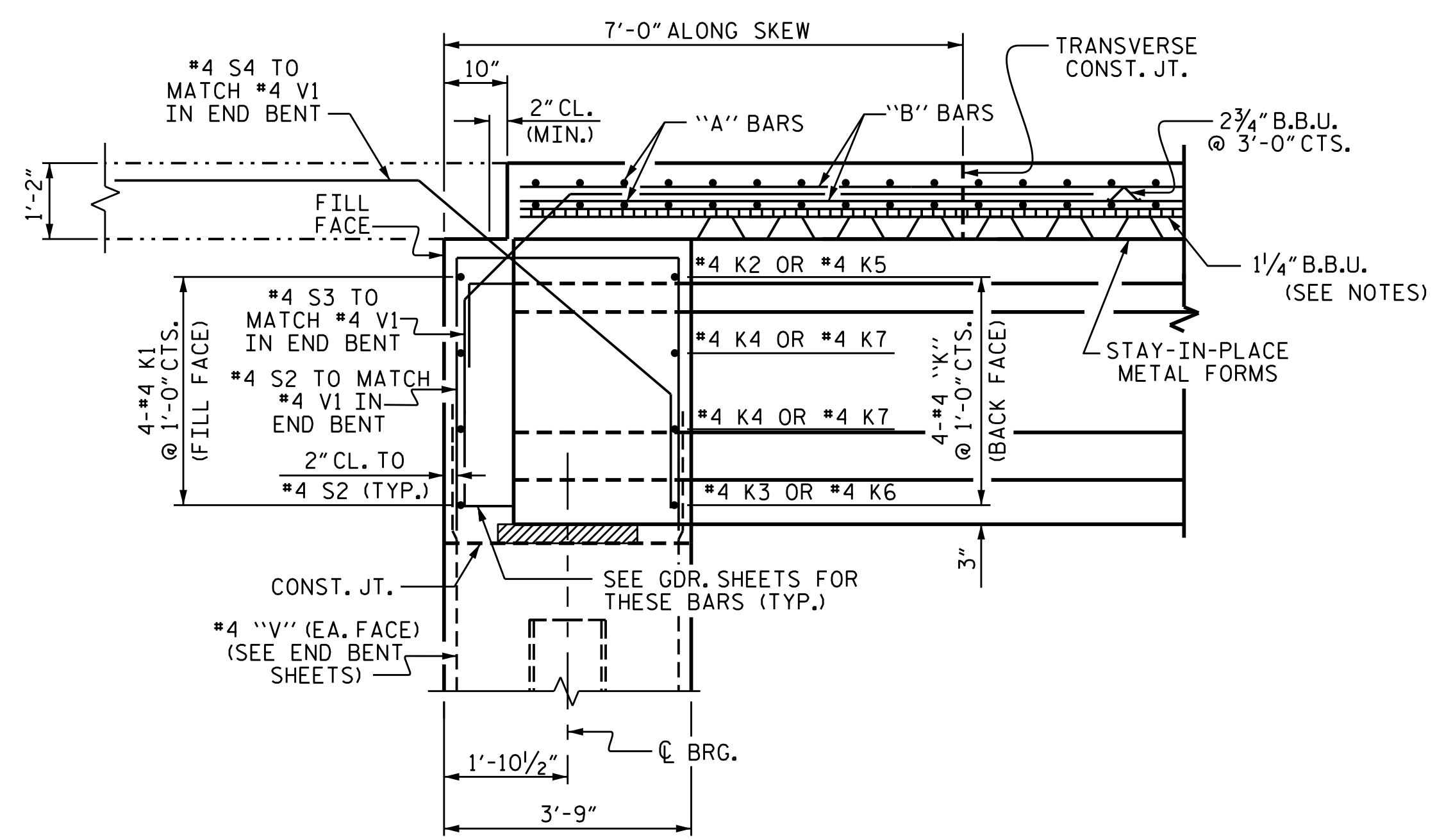
INTEGRAL END BENT CONTINUOUS BENT DIAPHRAGM
PLAN OF GIRDER



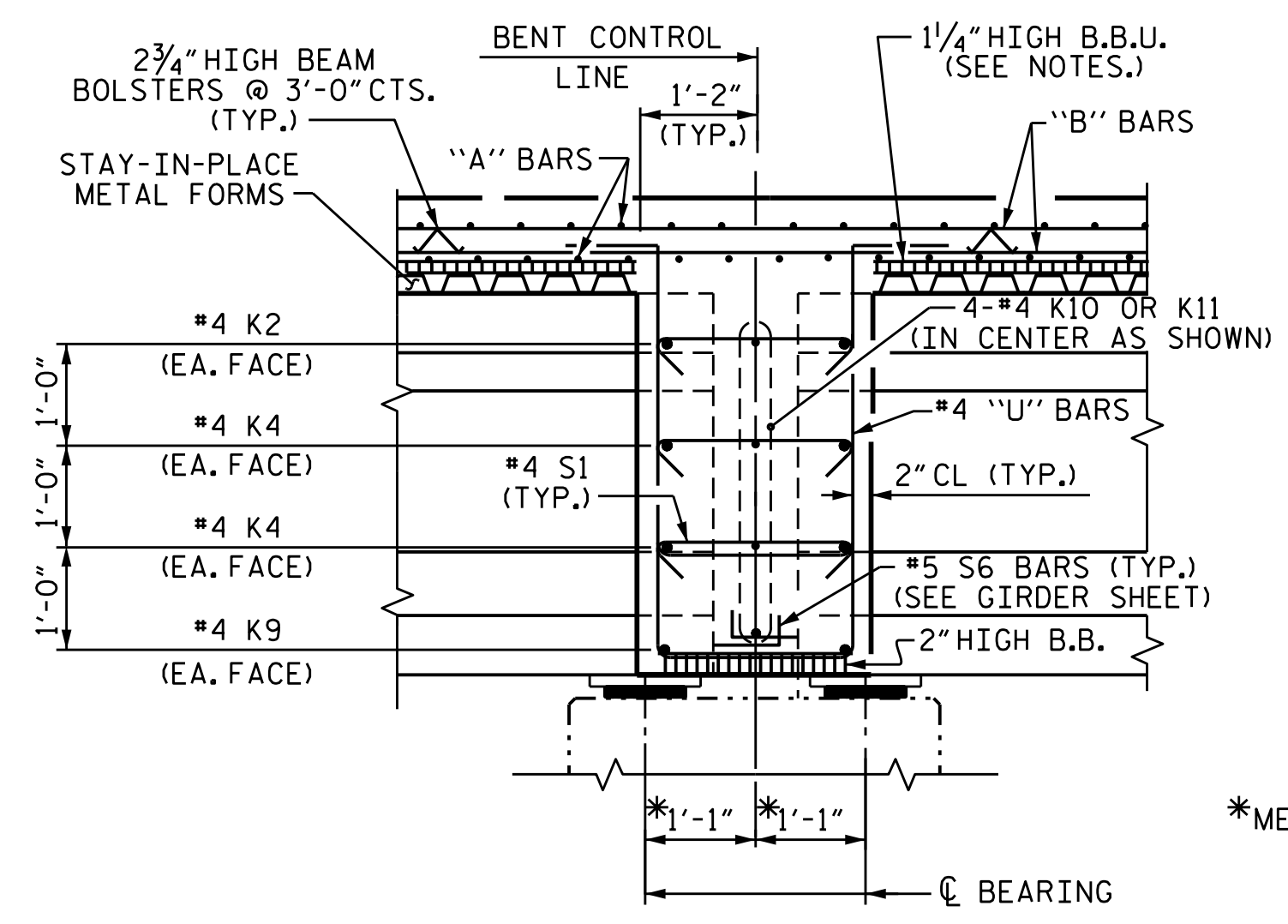
PLAN
BENT DIAPHRAGM BLOCKOUT DETAIL



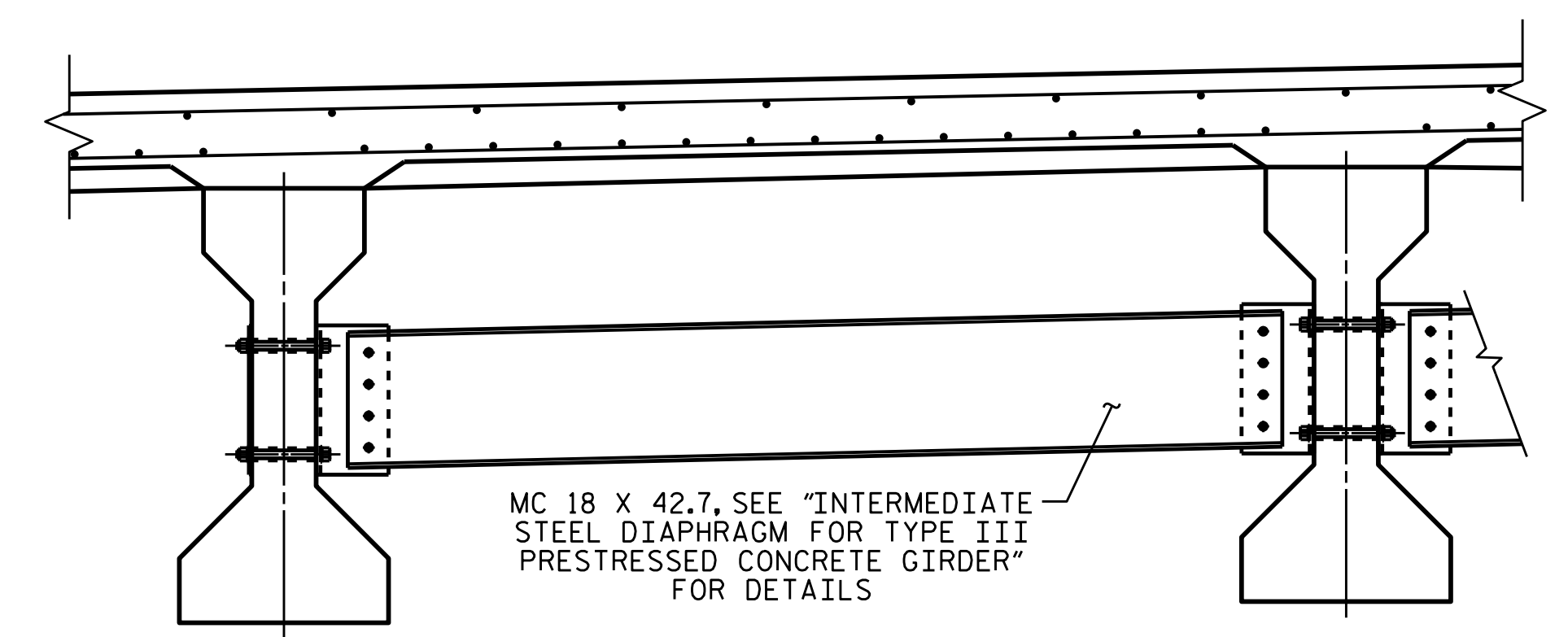
SECTION A-A



SECTION THROUGH INTEGRAL END BENT



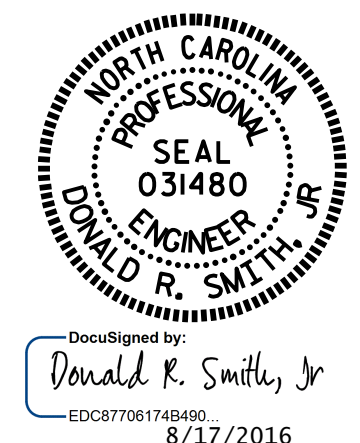
SECTION THROUGH BENT DIAPHRAGM



PART SECTION AT INTERMEDIATE DIAPHRAGM
 (SEE PLAN OF SPANS FOR LOCATION)

PROJECT NO. U-3440
CABARRUS COUNTY
 STATION: 68+25.60 -L-

SHEET 3 OF 3



STATE OF NORTH CAROLINA
 DEPARTMENT OF TRANSPORTATION
 RALEIGH
 SUPERSTRUCTURE
 TYPICAL SECTION
 (LEFT LANE)

DRAWN BY: K. D. LAYNE DATE: 11/24/15
 CHECKED BY: J. D. HAWK DATE: 12/18/15
 DESIGN ENGINEER OF RECORD: T. R. PETERSON DATE: 06/20/16

DOCUMENT NOT CONSIDERED
 FINAL UNLESS ALL
 SIGNATURES COMPLETED

REVISIONS						SHEET NO.
NO.	BY:	DATE:	NO.	BY:	DATE:	S1-7
1			3			TOTAL SHEETS
2			4			37