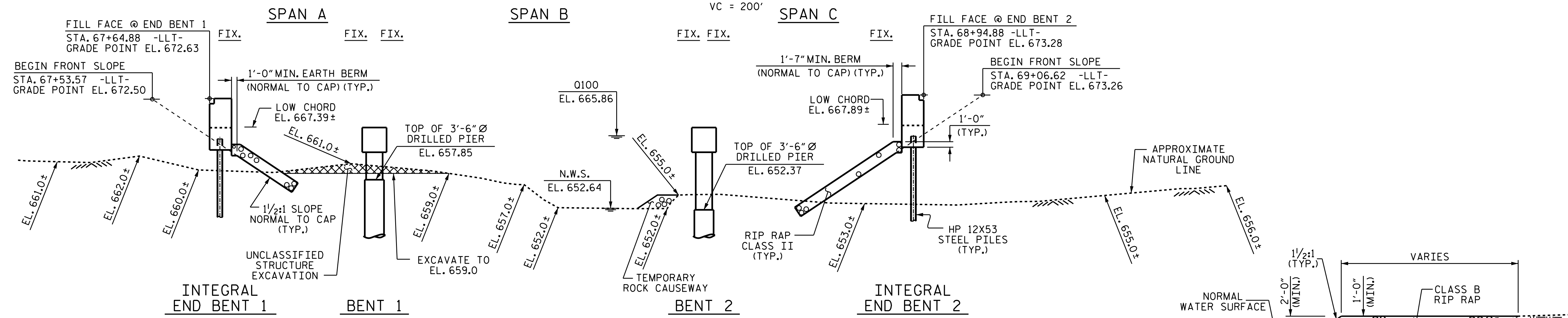


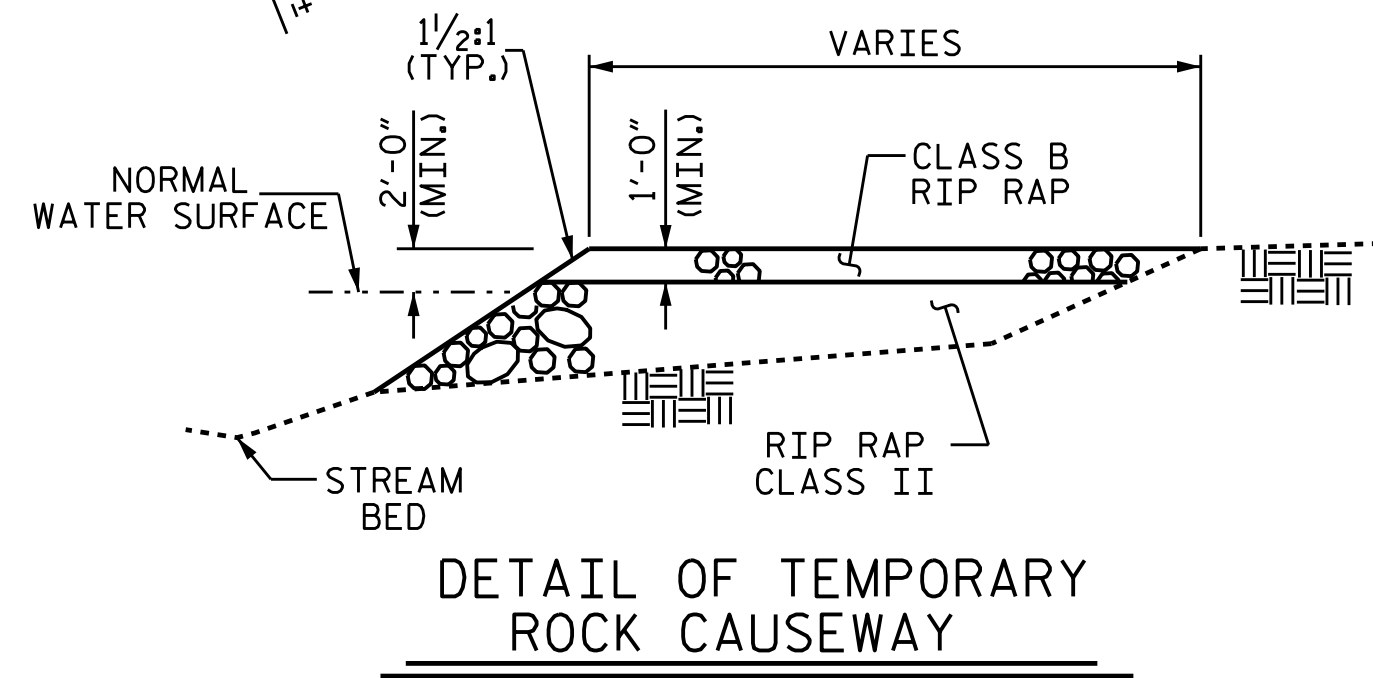
67+50 68+00 68+50 69+00 69+50

GRADE DATA

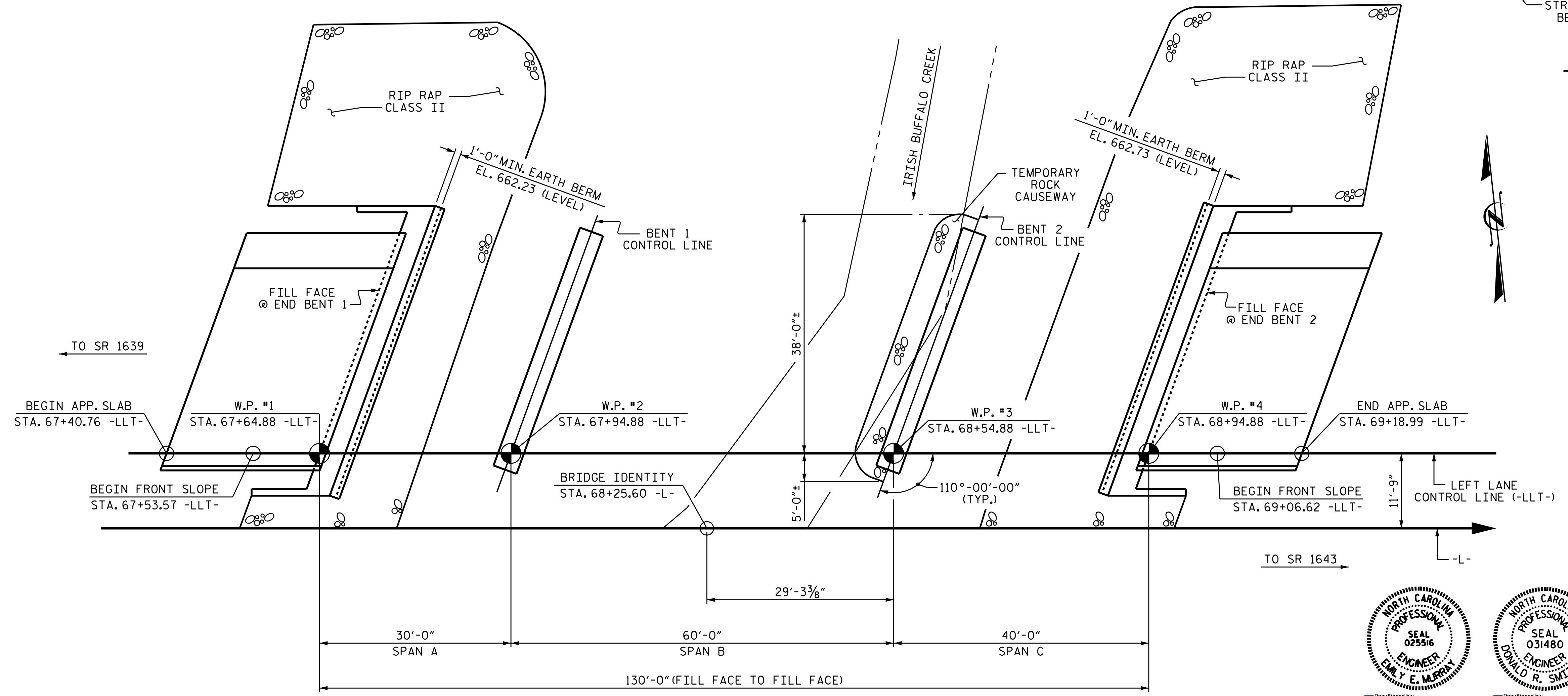
+1.1441% ∇ -0.6869%
 PI = 68+60.00 -LLT-
 EL. = 673.715
 VC = 200'



SECTION ALONG LEFT LANE CONTROL LINE
 (SECTION TAKEN AT RIGHT ANGLE TO END BENTS & BENTS)



I HEREBY CERTIFY THESE PLANS ARE THE AS-BUILT PLANS



PLAN
 (PILES & COLUMNS NOT SHOWN FOR CLARITY)

PROJECT NO. U-3440
CABARRUS COUNTY
 STATION: 68+25.60 -L-

SHEET 1 OF 3 BRIDGE No. 402

STATE OF NORTH CAROLINA
 DEPARTMENT OF TRANSPORTATION
 RALEIGH
GENERAL DRAWING
 FOR BRIDGE OVER IRISH
 BUFFALO CREEK ON NC 3
 BETWEEN SR 1639 AND SR 1643
 (LEFT LANE)

PROFESSIONAL ENGINEER
 SEAL 025516
 EMILY E. MURRAY
 8/17/2016

PROFESSIONAL ENGINEER
 SEAL 031480
 DONALD R. SMITH, JR.
 8/17/2016

DRAWN BY : H. B. DESAI DATE : 4/7/16
 CHECKED BY : R. P. PATEL DATE : 4/26/16
 DESIGN ENGINEER OF RECORD : T. R. PETERSON DATE : 6/20/16

DOCUMENT NOT CONSIDERED FINAL UNLESS ALL SIGNATURES COMPLETED

REVISIONS						SHEET NO.	
NO.	BY:	DATE:	NO.	BY:	DATE:	S1-1	
1			3			TOTAL SHEETS	
2			4			37	